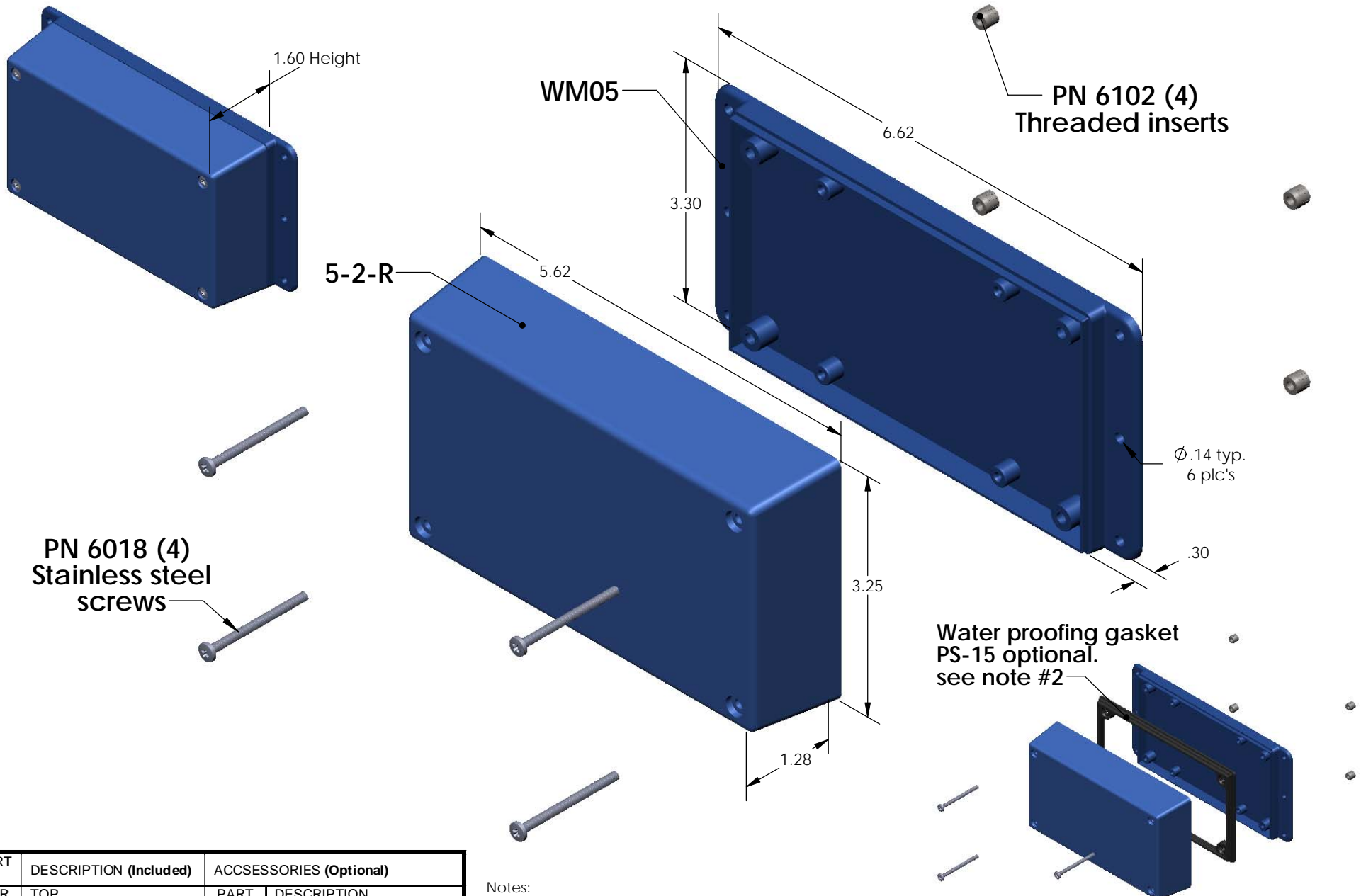


# WM052-R (exploded isometric)

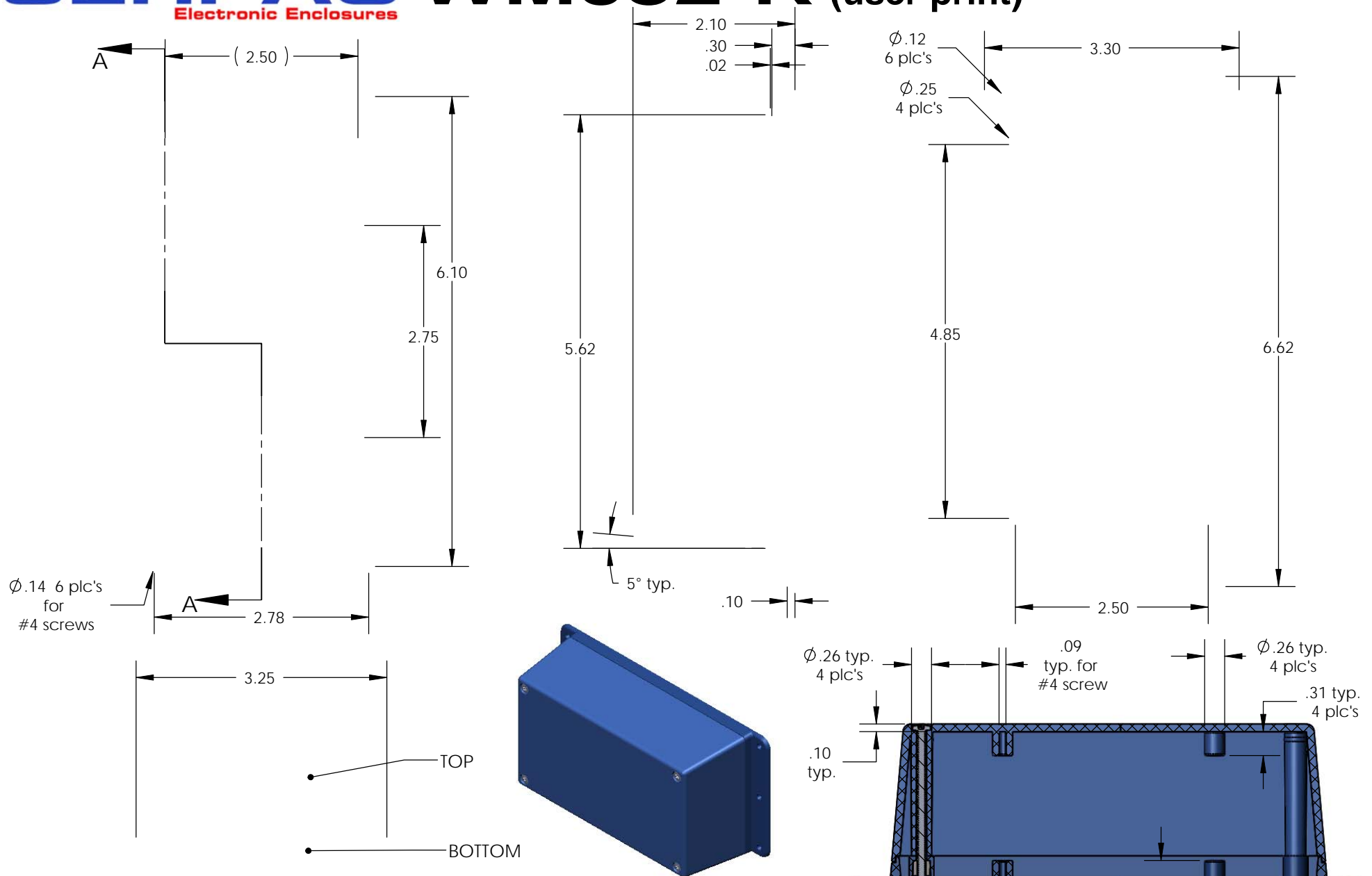


PART NO.	DESCRIPTION (Included)	ACCESSORIES (Optional)	
5-2-R	TOP	PART NO.	DESCRIPTION
WM05	BOTTOM	50	Non-skid Feet
6018	4-40 SCREW (4)	PS-15	Perimeter Seal
6102	THREADED INSERTS (4)	350	Prototype grid board
		450	Prototype clad board

- Notes:
- 1) Enclosure meets or exceeds IP40 and NEMA 1
  - 2) When used with PS-15 the enclosure meets or exceeds IP 67 and NEMA 4X, 12 and 13 MIL-STD-810G 506.5
  - 3) Circuit Board drawings can be download at:  
<http://www.serpac.com/Accessories/CircuitBoard/drawings/350-450-cbg.pdf>
  - 4) All components are RoHS Compliant.

# SERPAC WM052-R (user print)

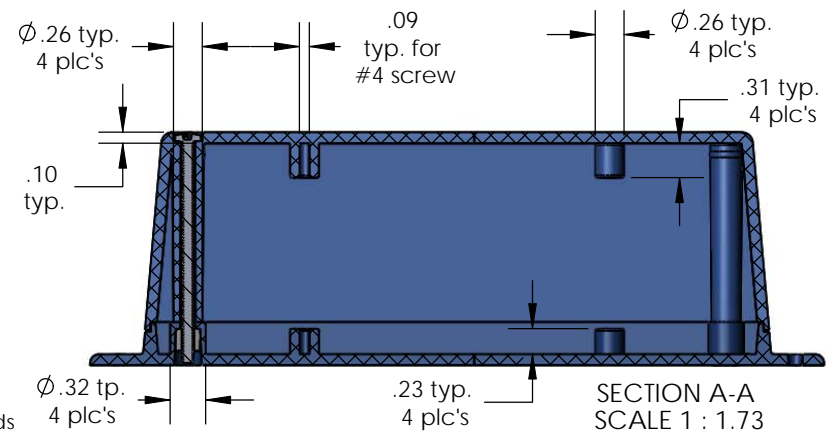
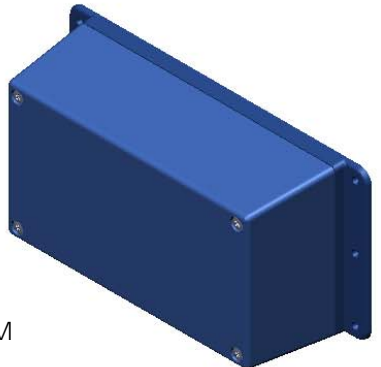
Electronic Enclosures



$\phi .14$  6 pc's for #4 screws

TOP

BOTTOM



PART NO.	DESCRIPTION (Included)	ACCESSORIES (Optional)	
5-2-R	TOP	PART NO.	DESCRIPTION
WM05	BOTTOM	50	Non-skid Feet
6018	4-40 SCREW (4)	PS-15	Perimeter Seal
6102	THREADED INSERTS (4)	350	Prototype grid board
		450	Prototype clad board

- Notes:
- 1) Enclosure meets or exceeds IP40 and NEMA 1
  - 2) When used with PS-15 the enclosure meets or exceeds IP 67 and NEMA 4X, 12 and 13 MIL-STD-810G 506.5
  - 3) Circuit Board drawings can be download at: [http://www.serpac.com/Products/Sseries/x5x/drawings/X53\\_top-CB.pdf](http://www.serpac.com/Products/Sseries/x5x/drawings/X53_top-CB.pdf)
  - 4) All components are RoHS Compliant.