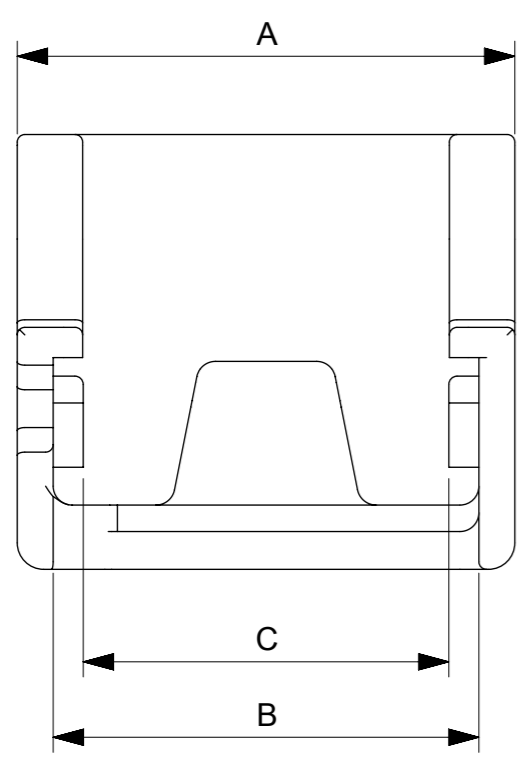
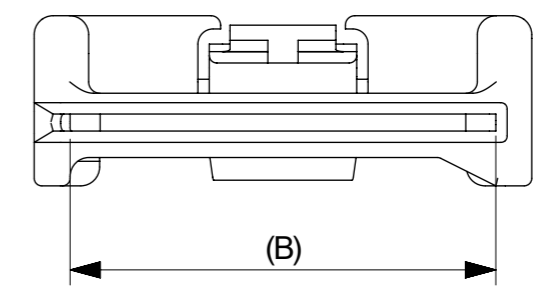
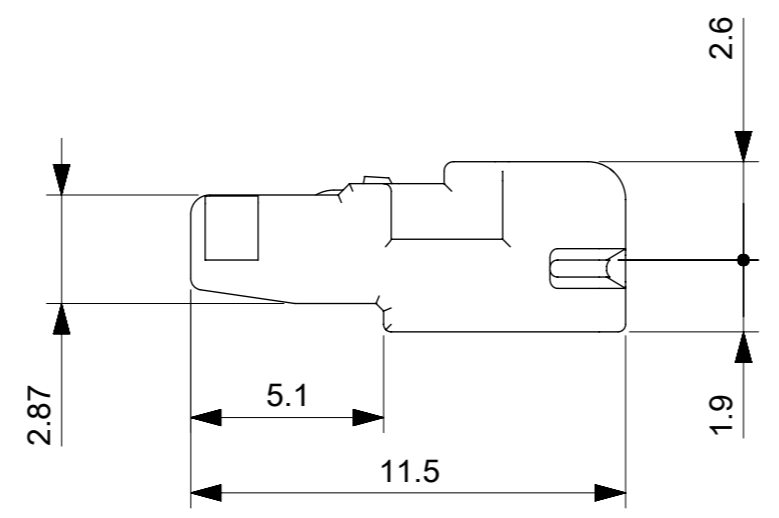
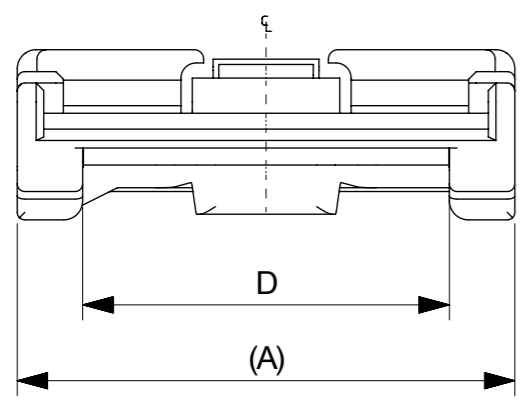


注記 NOTES

- 1.材質 MATERIAL
PBT、ガラス充填、UL94V-0、色：黒色
PBT, GLASS FILLED, UL94V-0, COLOR : BLACK
- 2.ELV及びRoHS適合品
ELV AND RoHS COMPLIANT.
- 3.適合コネクタ：505147**90
APPLICABLE CONNECTOR : 505147**90



9.7	9.67	11.26	13.16	5051480408	4
7.7	7.67	9.26	11.16	5051480308	3
5.7	5.67	7.26	9.16	5051480208	2
D	C	B	A	PLASTIC BAG	CKT.
				ORDER NO. オーダー番号	

THIS DRAWING CONTAINS INFORMATION THAT IS PROPRIETARY TO MOLEX ELECTRONIC TECHNOLOGIES, LLC AND SHOULD NOT BE USED WITHOUT WRITTEN PERMISSION

EC NO: 104966 DRWN: AISHII CHK'D: KTAKAHASHI APPR: TKUSUHARA01	2016/05/10 2016/05/13 2016/05/13	GENERAL TOLERANCES (UNLESS SPECIFIED) ANGULAR TOL ± 3.0 ° 4 PLACES ± 0.2 3 PLACES ± 0.2 2 PLACES ± 0.2 1 PLACE ± 0.2 0 PLACES ± 0.2	DIMENSION UNITS: MM SCALE: 5:1				
	DRWN BY: AISHII DATE: 2015/10/21		CHK'D BY: KTAKAHASHI DATE: 2015/12/16				
	APPR BY: YNOGAWA DATE: 2015/12/21		DRAFT WHERE APPLICABLE MUST REMAIN WITHIN DIMENSIONS		PRODUCT CUSTOMER DRAWING		
	DRAWING SIZE: A3 THIRD ANGLE PROJECTION		SERIES: 505148 MATERIAL NUMBER: SEE CHART CUSTOMER: GENERAL		DOCUMENT NUMBER: 5051480000 DOC TYPE: PSD DOC PART: 000 SHEET NUMBER: 1 OF 1		