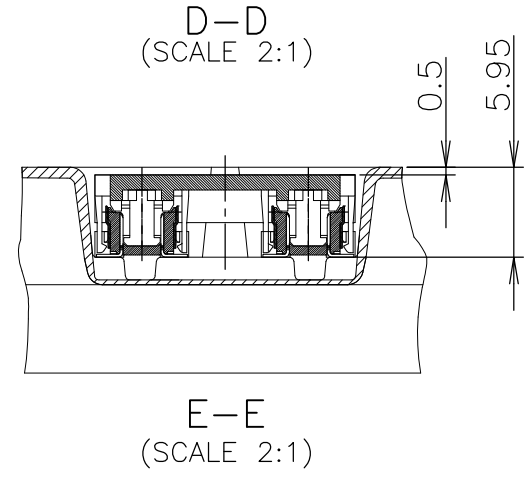
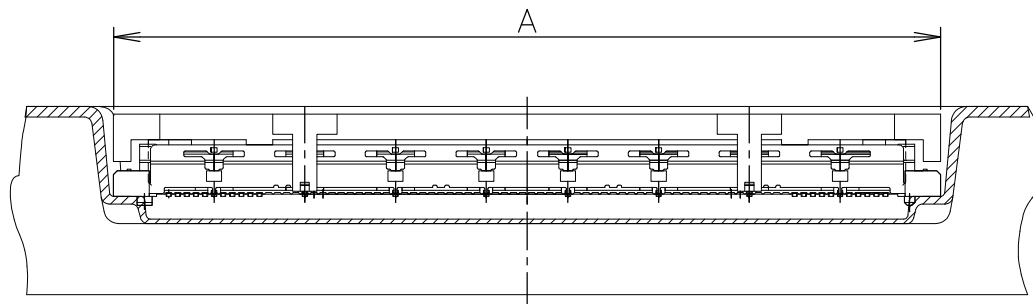
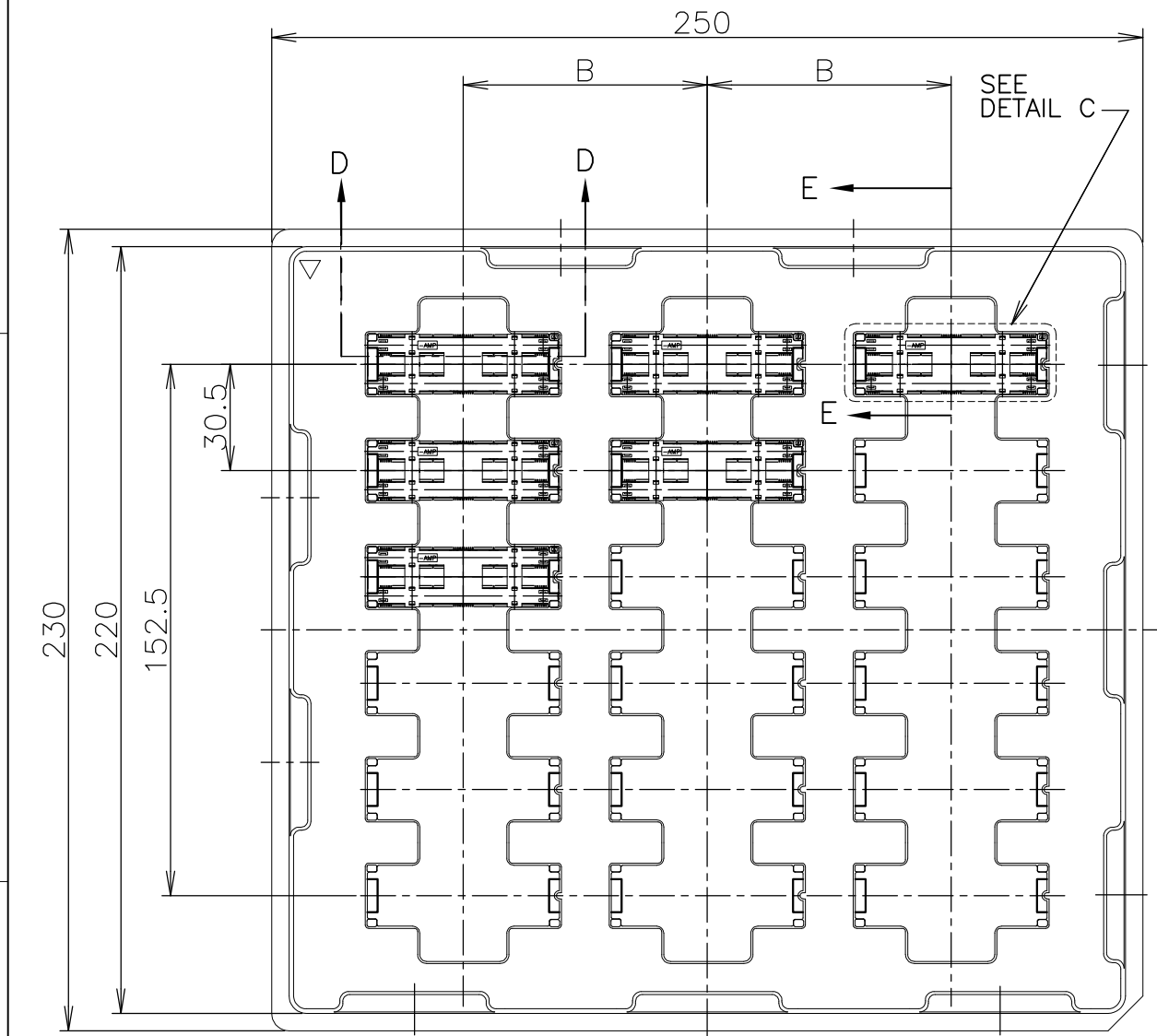
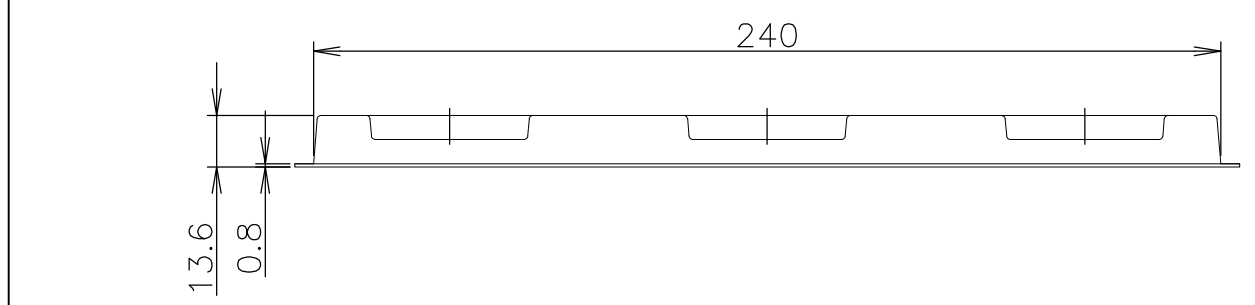
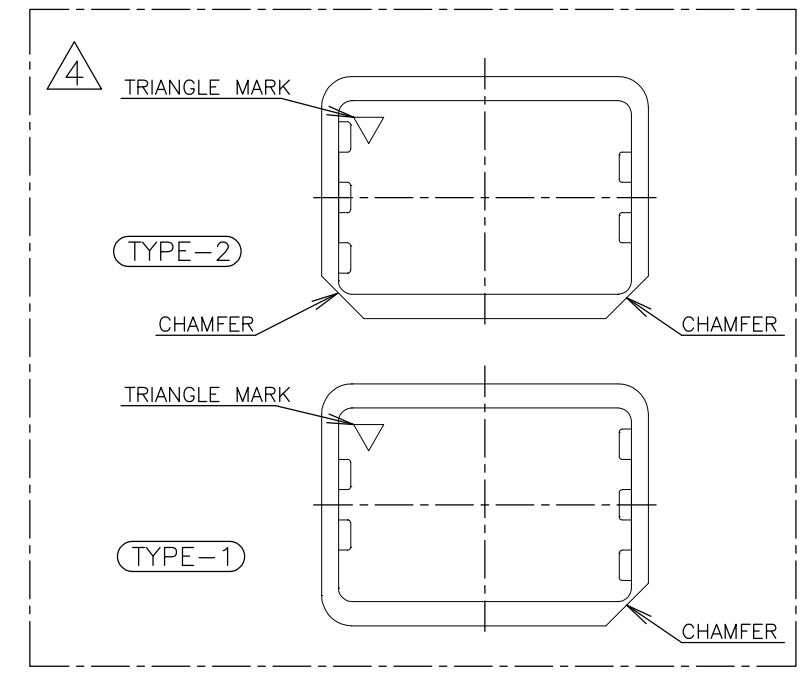


THIS DRAWING IS UNPUBLISHED. RELEASED FOR PUBLICATION NOV, 1998.  
 © COPYRIGHT 1998 BY TYCO ELECTRONICS CORPORATION. ALL RIGHTS RESERVED.

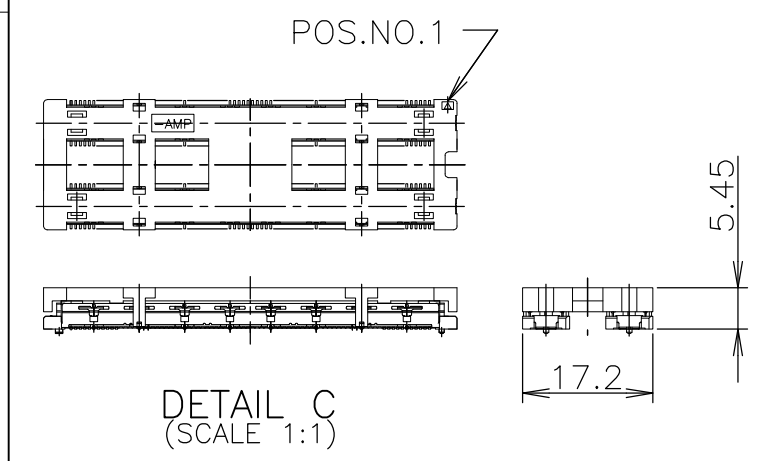
LOC J	DIST	REVISIONS 変更			DATE	DWN	APVD
P	LTR	DESCRIPTION	DATE	DWN	APVD		
	A	REVISED ECR-08-000339	01FEB08	T.T	T.F		



4 TRAY TYPE-1 AND TYPE-2 MUST BE PILED UP BY TURNS.  
(REFER TO PACKING SPECIFICATIONS)



SEALANT	AVAILABLE	3	18	70	54.7	320	5-912069-4	6-6318151-1
	NOT AVAILABLE	↑	↑	↑	48.7	280	5- ↑ -3	6- ↑ -0
	NOT AVAILABLE	↓	↓	↓	42.7	240	5- -2	5- -9
	NOT AVAILABLE	3	18	70	36.7	200	5- -1	5- -8
NON SEALANT	NOT AVAILABLE	3	18	70	54.7	320	5- -4	1- -1
	NOT AVAILABLE	↑	↑	↑	48.7	280	5- -3	1- -0
	NOT AVAILABLE	↓	↓	↓	42.7	240	5- -2	-9
	NOT AVAILABLE	3	18	70	36.7	200	5-912069-1	6318151-8
SEALANT	TOOLING STATUS	ROW	QTY	B	A	POS.	TRAY P/N	PART NO.



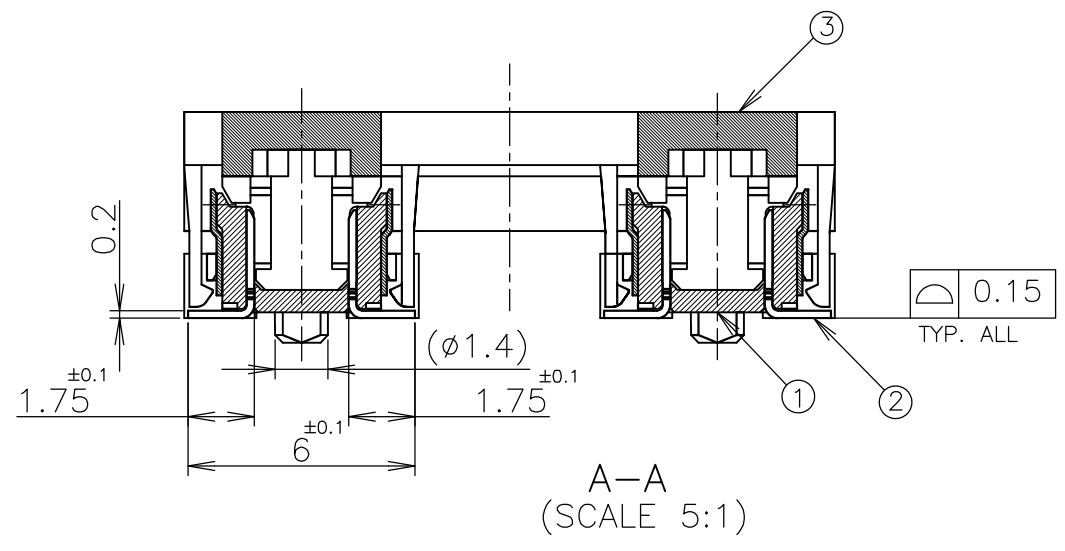
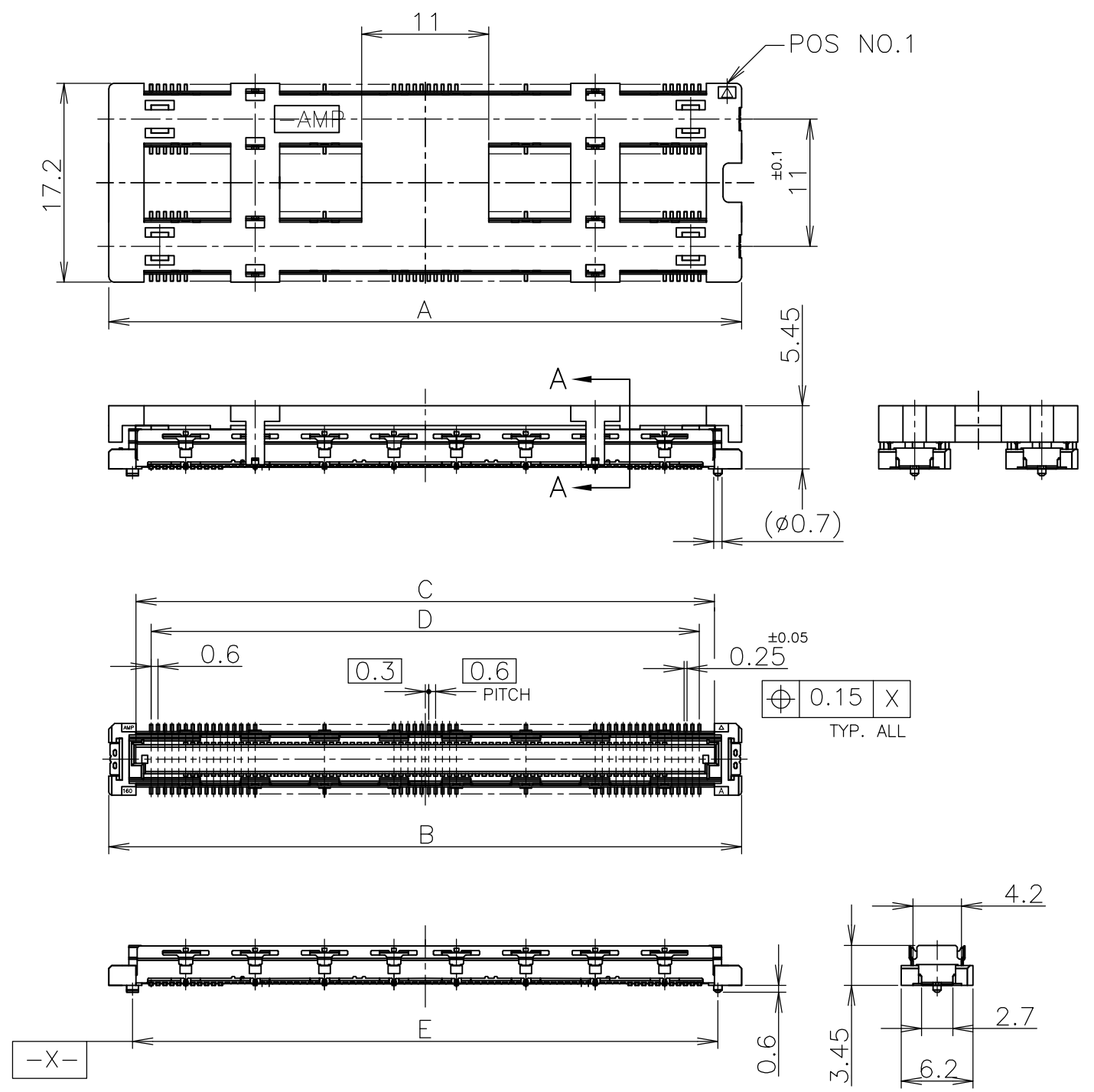
GENERAL TOLERANCE  
一般公差  
 10 ≥ ±0.2  
 30 ≥ >10: ±0.25  
 100 ≥ >30: ±0.3  
 ANGLES: ±3°

THIS DRAWING IS A CONTROLLED DOCUMENT.

DWN HAWKING HE 13DEC04	Tyco Electronics Tyco Electronics Corporation Kawasaki, Japan
CHK STEVEN YAO 13DEC04	
APVD I.ENOMOTO 13DEC04	NAME 名称
PRODUCT SPEC 製品規格 108-60047	SOFT TRAY ASSY FH 0.6BTB CONNECTOR PLUG 4H W/G-PLATE 2ROW TYPE
APPLICATION SPEC 取付適用規格 114-5255	SIZE A3
WEIGHT	CAGE CODE 00779
CUSTOMER DRAWING	DRAWING NO 番号 G-6318151
	RESTRICTED TO
	SCALE 尺度 1:2
	SHEET 1 OF 6
	REV A

THIS DRAWING IS UNPUBLISHED. RELEASED FOR PUBLICATION NOV, 1998.  
 © COPYRIGHT 1998 BY TYCO ELECTRONICS CORPORATION. ALL RIGHTS RESERVED.

LOC	DIST	REVISIONS			DATE	DWN	APVD
		P	LTR	DESCRIPTION			
J				SEE SHEET 1	-	-	-



- ① MATERIAL ; ① HOUSING : HIGH TEMP THERMO PLASTIC UL94V-0 (COLOR : NATURAL)
- ② CONTACT : COPPER ALLOY
- ③ CAP HOUSING : HIGH TEMP THERMO PLASTIC UL94V-0 (COLOR : BLACK)
- ② FINISH ; UNDER PL Ni 0.0013mm MIN ALL OVER. CONTACT AREA 0.0002 MIN Au PL. SOLDERING AREA 0.001 MIN TIN PL.
- ③ THIS POSITION IS GROUND CIRCUIT.

AVAILABLE	51.8	50.6	47.4	50	54.7	54.7	320	1-	-1
NOT AVAILABLE	45.8	44.6	41.4	44	48.7	48.7	280	1-	-0
NOT AVAILABLE	39.8	38.6	35.4	38	42.7	42.7	240		-9
NOT AVAILABLE	33.8	32.6	29.4	32	36.7	36.7	200		1318153-8
TOOLING STATUS	F	E	D	C	B	A	POS		CAP P/N

THIS DRAWING IS A CONTROLLED DOCUMENT.

DIMENSIONS: 単位: 耗 mm

TOLERANCES UNLESS OTHERWISE SPECIFIED: 一般公差

GENERAL TOLERANCE 一般公差

10 ≥ ±0.2  
30 ≥ >10: ±0.25  
100 ≥ >30: ±0.3  
ANGLES: ±3°

MATERIAL 材料

FINISH 仕上

DWN  
CHK  
APVD  
PRODUCT SPEC 製品規格  
APPLICATION SPEC 取付適用規格  
WEIGHT

Tyco Electronics  
Tyco Electronics Corporation  
Kawasaki, Japan

NAME 名称  
SOFT TRAY ASSY  
FH 0.6BTB CONNECTOR  
PLUG 4H W/G-PLATE 2ROW TYPE

SIZE  
A3

CAGE CODE  
00779

DRAWING NO 番号  
G-6318151

RESTRICTED TO

CUSTOMER DRAWING

SCALE 尺度 2:1

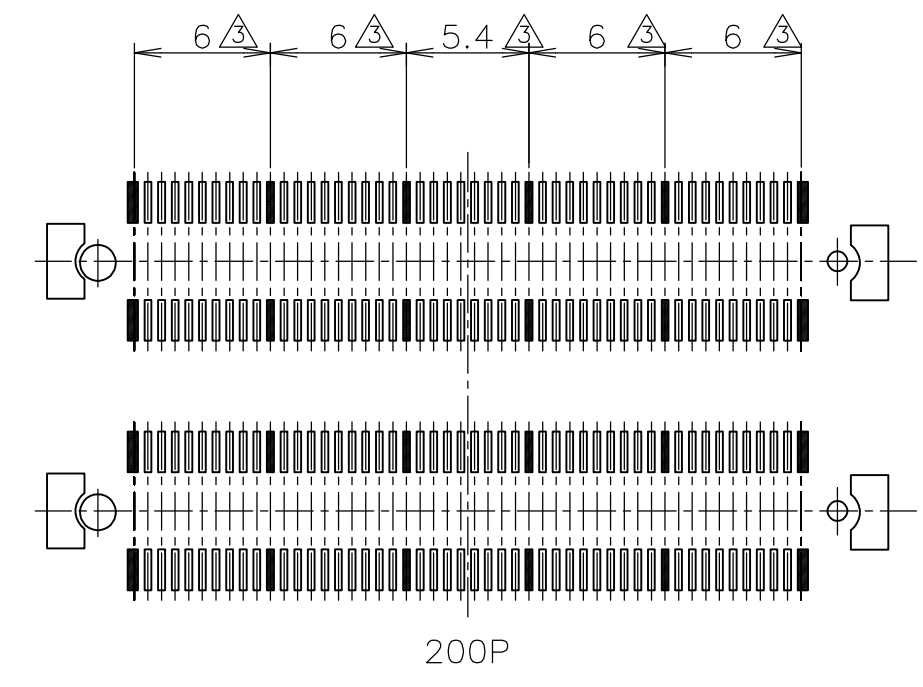
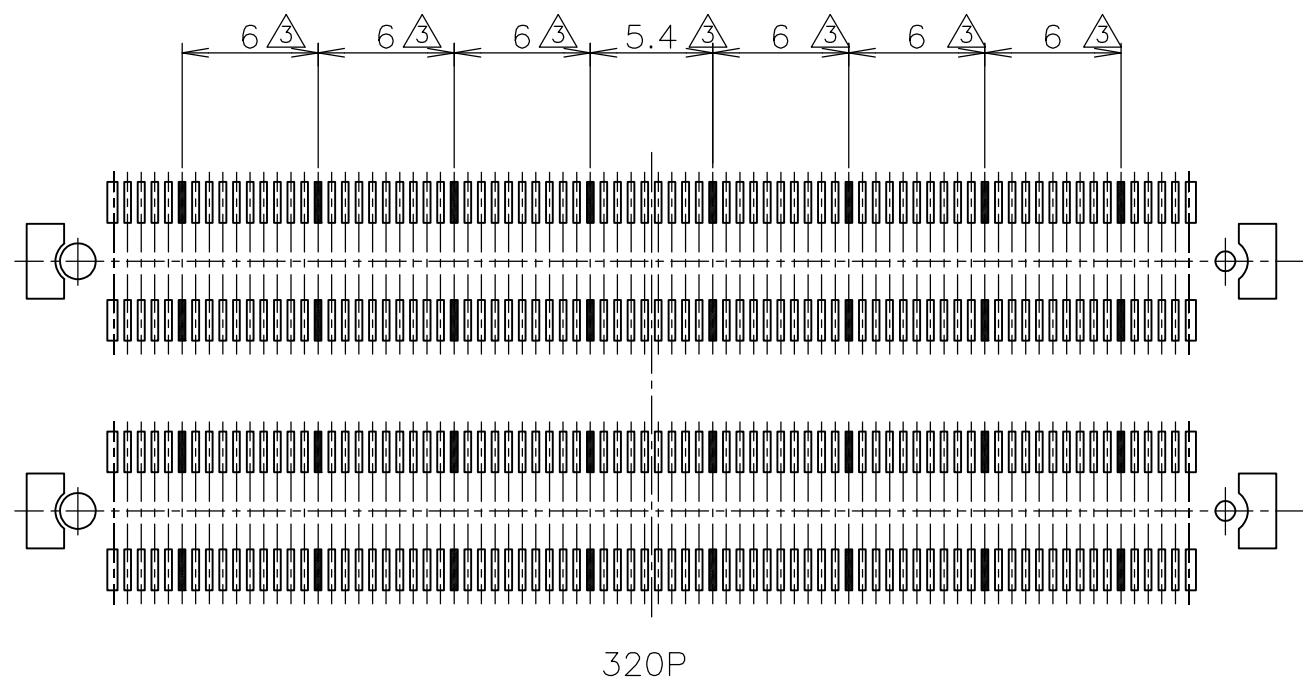
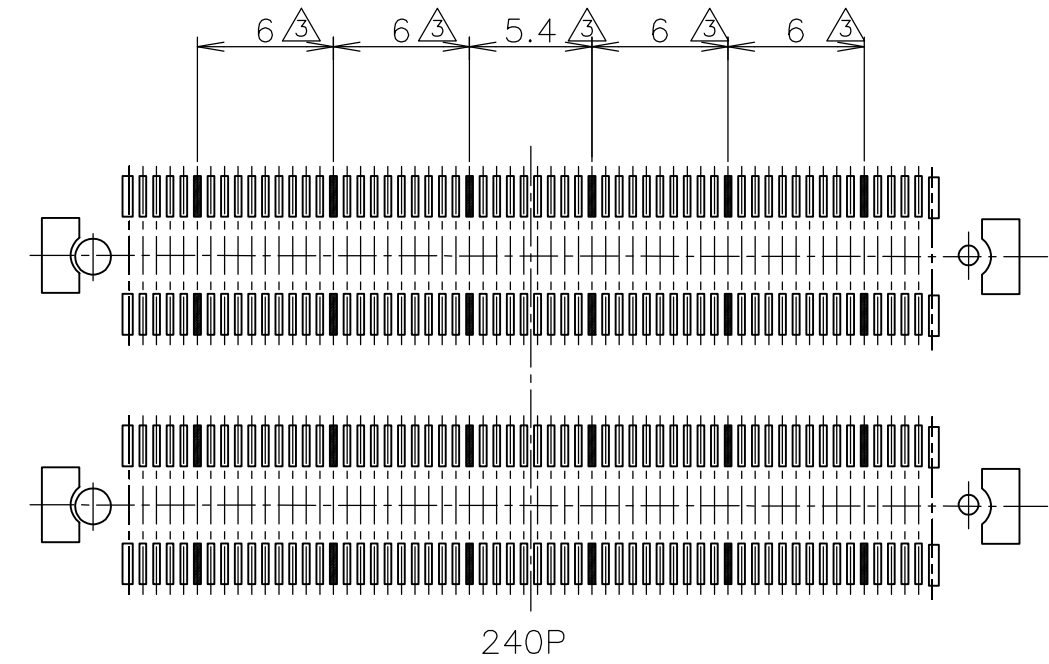
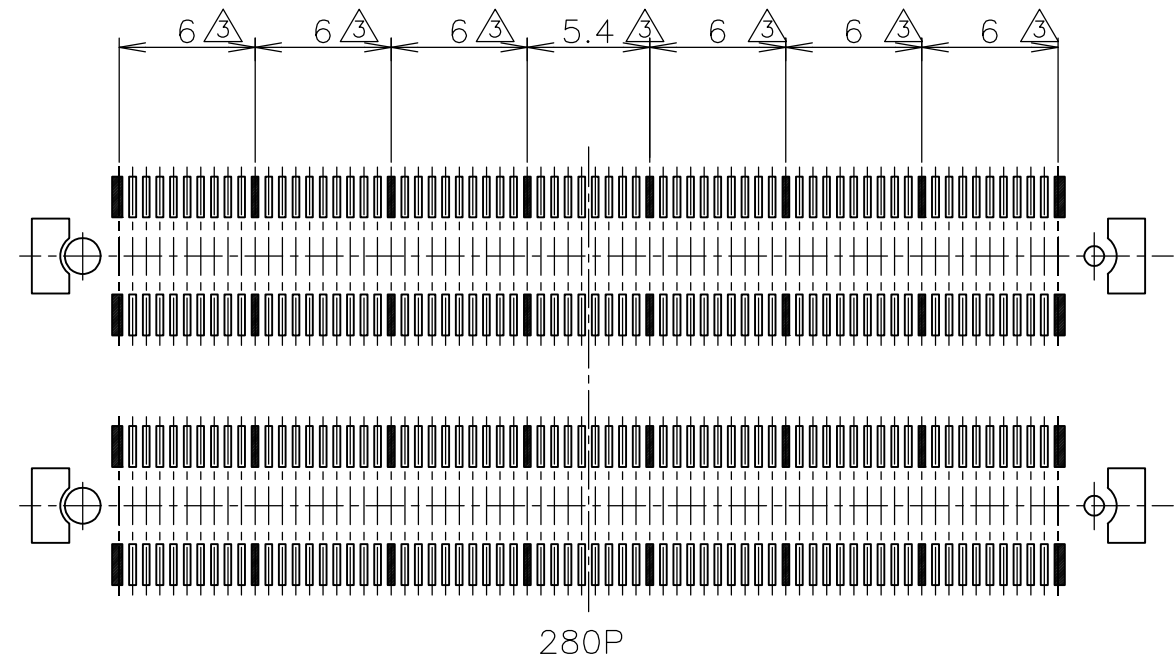
SHEET 2 OF 6

REV A



THIS DRAWING IS UNPUBLISHED. RELEASED FOR PUBLICATION NOV, 1998.  
 © COPYRIGHT 1998 BY TYCO ELECTRONICS CORPORATION. ALL RIGHTS RESERVED.

LOC	DIST	REVISIONS 変更					
J		P	LTR	DESCRIPTION	DATE	DWN	APVD
			-	SEE SHEET 1	-	-	-



GENERAL TOLERANCE  
一般公差

10 ≥ ±0.2  
 30 ≥ >10: ±0.25  
 100 ≥ >30: ±0.3  
 ANGLES: ±3°

THIS DRAWING IS A CONTROLLED DOCUMENT.		DWN	Tyco Electronics Corporation Kawasaki, Japan		
DIMENSIONS: 単位: 耗 mm	TOLERANCES UNLESS OTHERWISE SPECIFIED: 一般公差	CHK	NAME 名称		
	0 PLC ±-	APVD	SOFT TRAY ASSY		
	1 PLC ±-	PRODUCT SPEC 製品規格	FH 0.6BTB CONNECTOR		
MATERIAL 材料	2 PLC ±-	APPLICATION SPEC 取付適用規格	SIZE	CAGE CODE	DRAWING NO 番号
	3 PLC ±-	WEIGHT	A3	00779	G-6318151
	4 PLC ±-	CUSTOMER DRAWING	RESTRICTED TO		
	ANGLES ±-		SCALE 尺度	SHEET	REV
	FINISH 仕上		3:1	4 OF 6	A

4

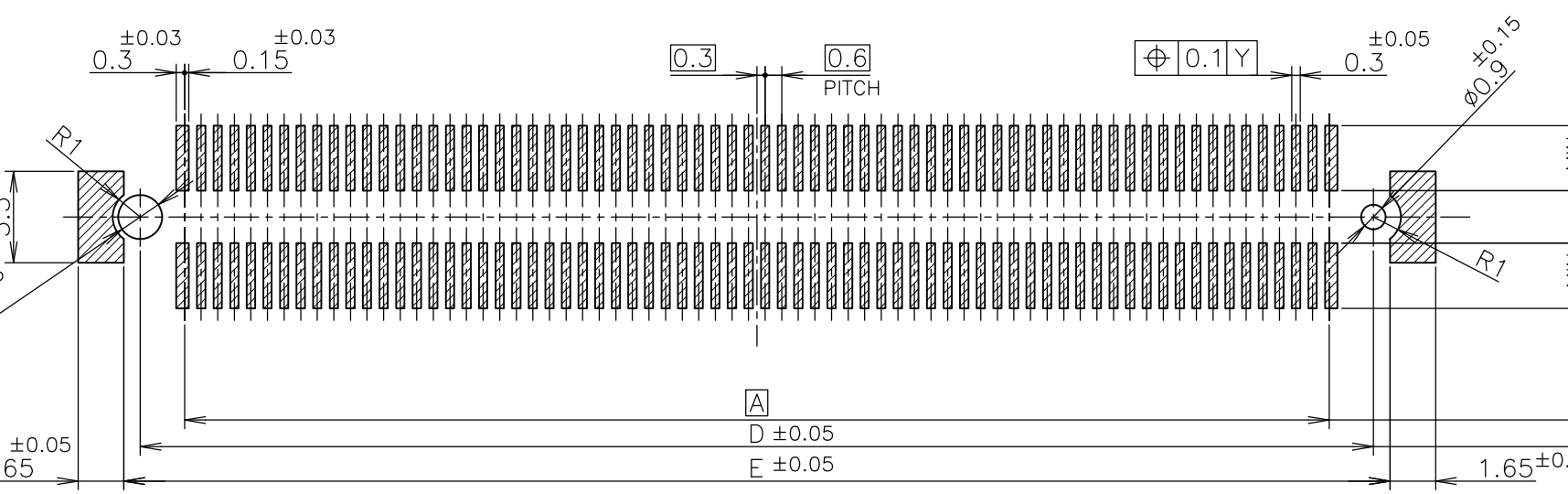
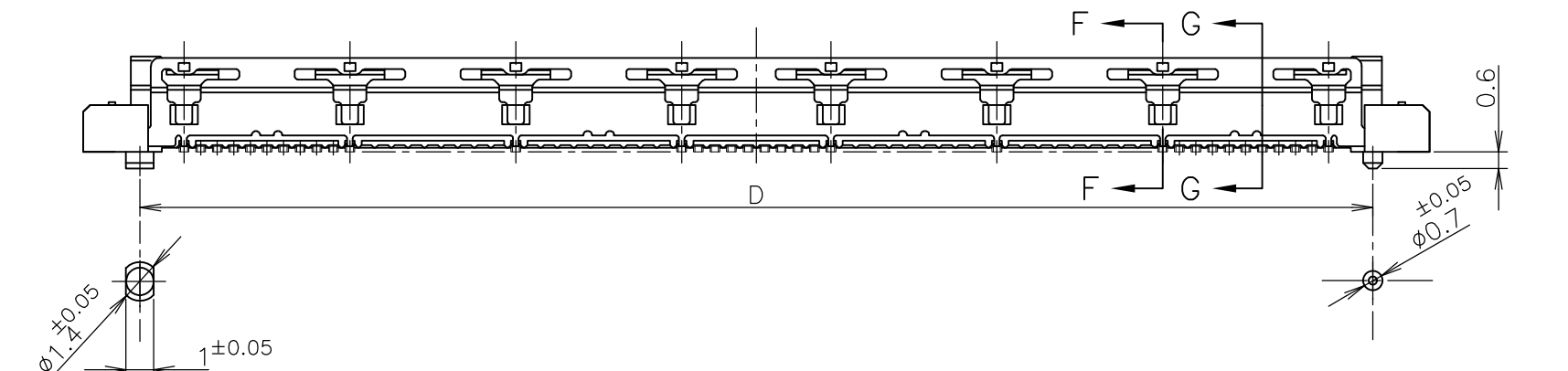
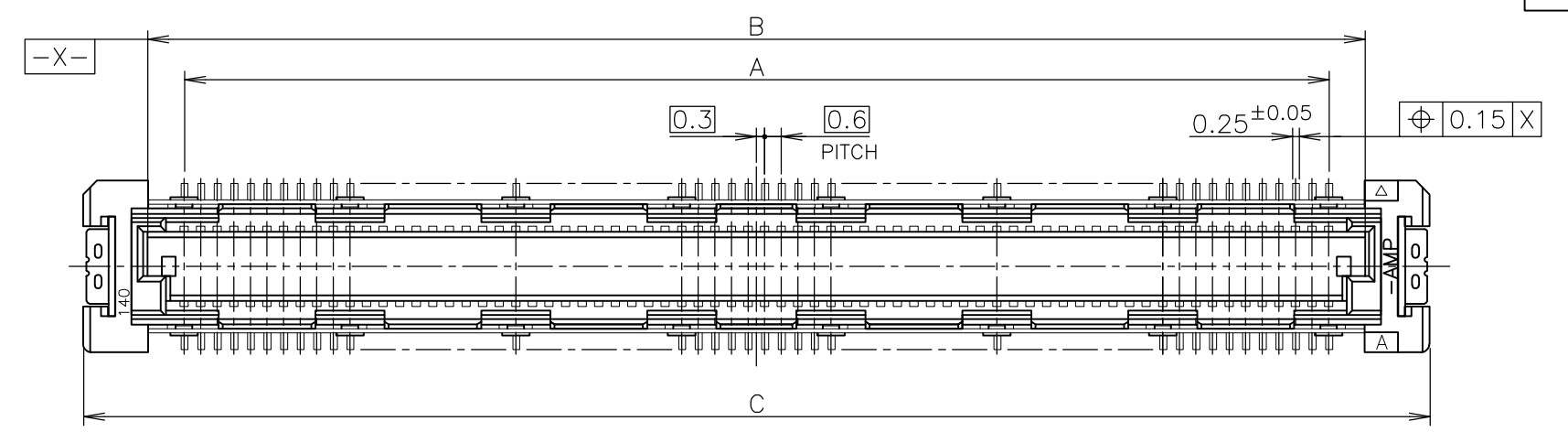
3

2

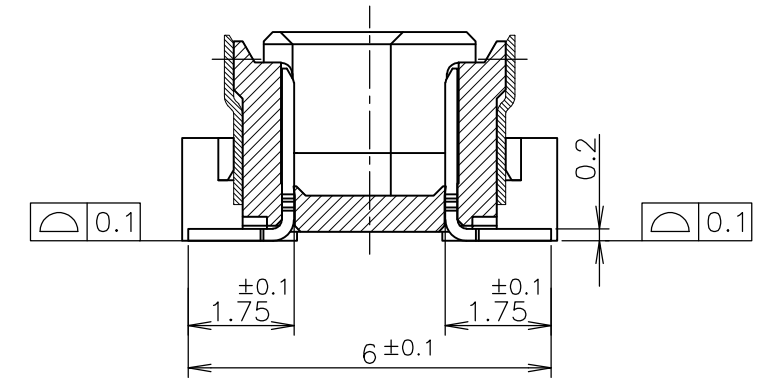
1

THIS DRAWING IS UNPUBLISHED. RELEASED FOR PUBLICATION NOV, 1998.  
 © COPYRIGHT 1998 BY TYCO ELECTRONICS CORPORATION. ALL RIGHTS RESERVED.

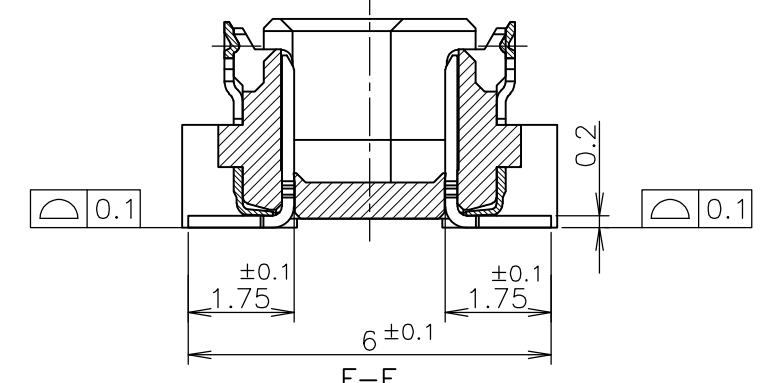
LOC	DIST	REVISIONS		
J		変更	DATE	DWN
P	LTR	DESCRIPTION		APVD
		SEE SHEET 1	-	-



REFERENCE P.C. BOARD LAYOUT



G-G  
(SIGNAL POSITION)  
(SCALE 8:1)



F-F  
(GROUND POSITION)  
(SCALE 8:1)

AVAILABLE	51.8	50.6	54.7	50	47.4	160
AVAILABLE	45.8	44.6	48.7	44	41.4	140
NOT AVAILABLE	39.8	38.6	42.7	38	35.4	120
AVAILABLE	33.8	32.6	36.7	32	29.4	100
TOOLING STATUS	E	D	C	B	A	POS

THIS DRAWING IS A CONTROLLED DOCUMENT.		DWN	Tyco Electronics Corporation Kawasaki, Japan			
DIMENSIONS: 単位: 耗 mm		CHK	NAME 名称			
TOLERANCES UNLESS OTHERWISE SPECIFIED: 一般公差		APVD	SOFT TRAY ASSY FH 0.6BTB CONNECTOR PLUG 4H W/G-PLATE 2ROW TYPE			
0 PLC ± 0.3		PRODUCT SPEC 製品規格	SIZE	CAGE CODE	DRAWING NO 番号	RESTRICTED TO
1 PLC ± 0.3		APPLICATION SPEC 取付適用規格	A3	00779	G-6318151	
2 PLC ± 0.3		WEIGHT	CUSTOMER DRAWING			
3 PLC ± 0.3			SCALE 尺度	SHEET	REV	
4 PLC ± 0.3			4:1	5 OF 6	A	
ANGLES ± 3'						
FINISH 仕上						

THIS DRAWING IS UNPUBLISHED. RELEASED FOR PUBLICATION NOV, 1998.

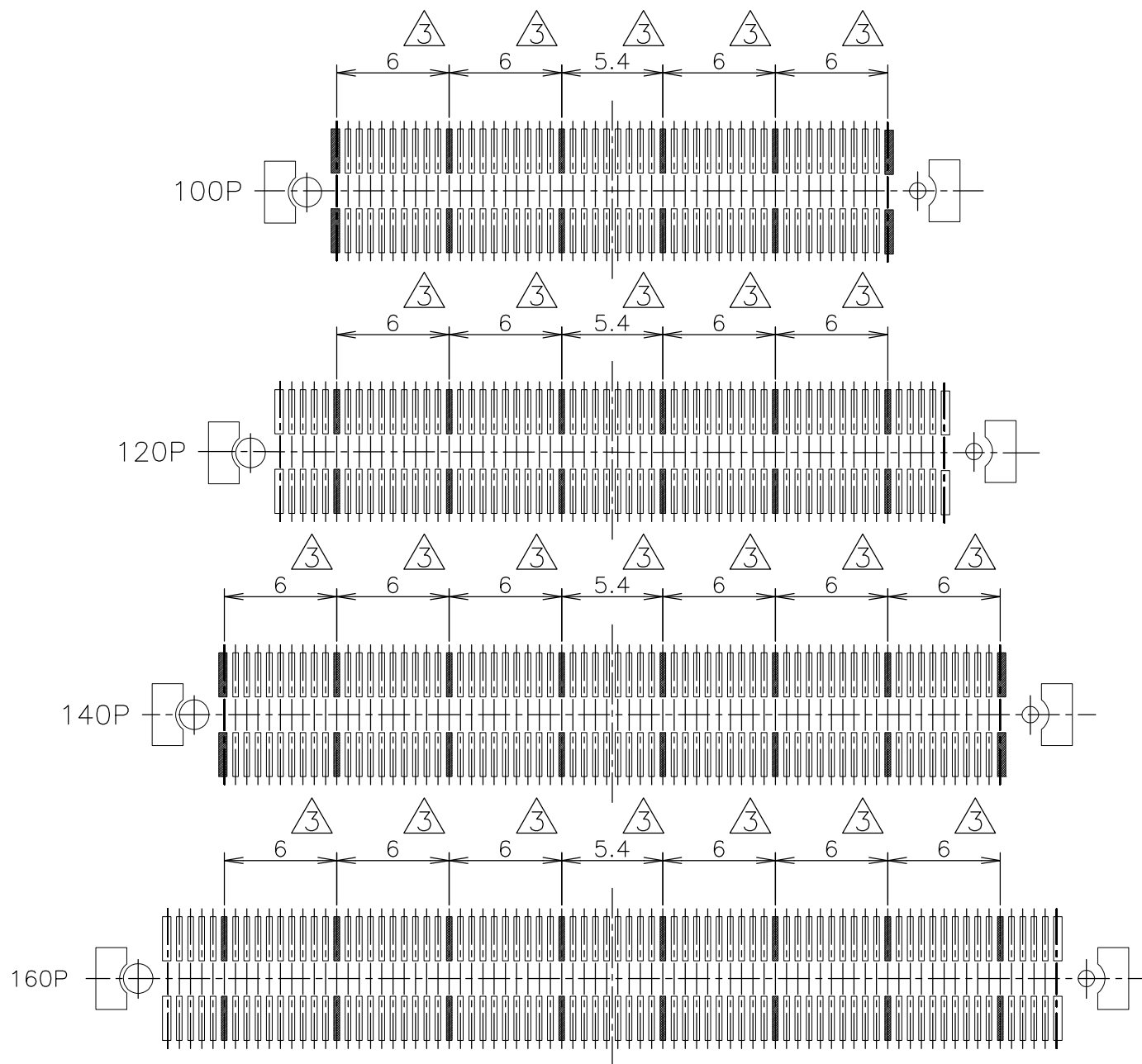
© COPYRIGHT 1998 BY TYCO ELECTRONICS CORPORATION. ALL RIGHTS RESERVED.

LOC J DIST

REVISIONS

変更

P	LTR	DESCRIPTION	DATE	DWN	APVD
	-	SEE SHEET 1	-	-	-



THIS DRAWING IS A CONTROLLED DOCUMENT.		DWN	Tyco Electronics Corporation Kawasaki, Japan		
DIMENSIONS: 単位: 耗 mm		CHK	NAME 名称		
TOLERANCES UNLESS OTHERWISE SPECIFIED: 一般公差		APVD	SOFT TRAY ASSY FH 0.6BTB CONNECTOR PLUG 4H W/G-PLATE 2ROW TYPE		
0 PLC ± 0.3 1 PLC ± 0.3 2 PLC ± 0.3 3 PLC ± 0.3 4 PLC ± 0.3 ANGLES ± 3'		PRODUCT SPEC 製品規格	SIZE	CAGE CODE	DRAWING NO 番号
MATERIAL 材料		APPLICATION SPEC 取付適用規格	A3	00779	G-6318151
FINISH 仕上		WEIGHT	RESTRICTED TO		
CUSTOMER DRAWING			SCALE 尺度 3:1	SHEET 6 OF 6	REV A