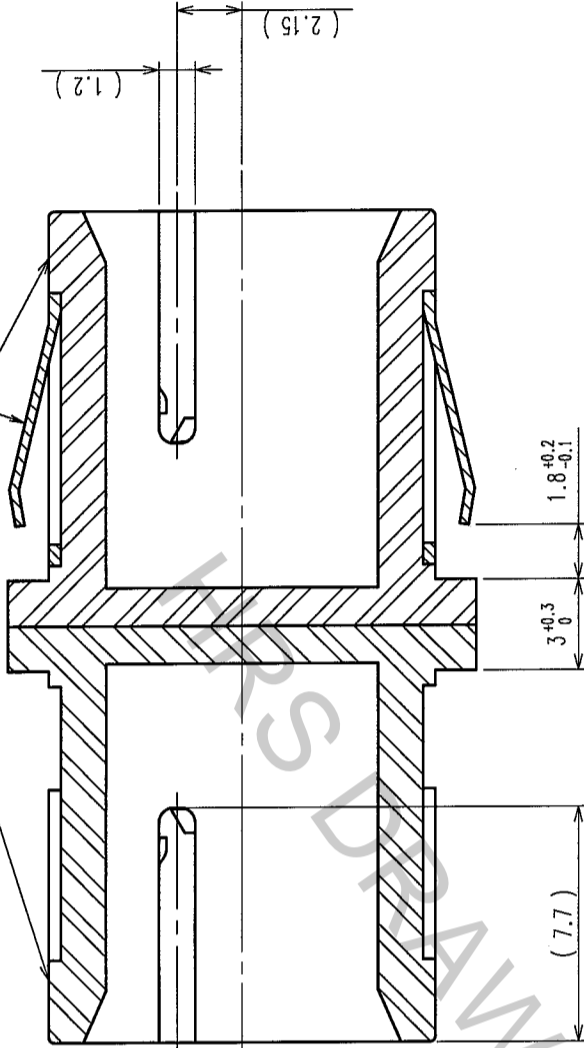


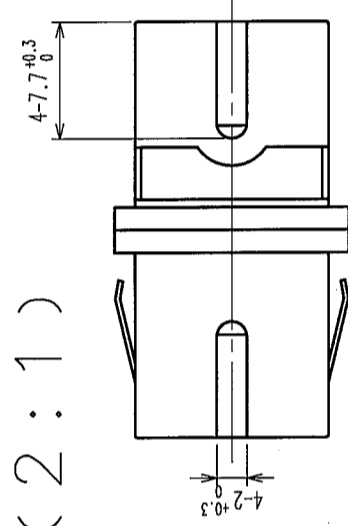
COUNT	DESCRIPTION OF REVISIONS	BY	CHKD	DATE	COUNT	DESCRIPTION OF REVISIONS	BY	CHKD	DATE

ABBREVIATED MARKING OF PART NO. (HSCCH-2A1)

B - B



A (2:1)



ABBREVIATED MARKING OF CORPORATION NAME (HRS)

NOTE 1. A cap is attached in a main part.

HRD DISPLAY

NO.	MATERIAL	FINISH	REMARKS	NO.	MATERIAL	FINISH	REMARKS
3	ZIRCONIA			5	STAINLESS STEEL		
2	SYNTHETIC RESIN	BLUE		4	SYNTHETIC RESIN	BLACK	
1	SYNTHETIC RESIN	GREEN					

CODE NO. (OLD)	DRAWN	DESIGNED	CHECKED	APPROVED	RELEASED
	<i>Y. Sato</i>	<i>Y. Sato</i>	<i>M. Inoue</i>	<i>M. Takahashi</i>	
	05.06.07	05.06.07	05.06.07	05.06.08	

DRAWING NO.	EDC3-175348-01	PART NO.	HSCCH-2A1-D2(P)
SCALE	4 : 1	CODE NO.	CL704-2137-9
UNITS	mm		

TO	