

THIS DRAWING IS UNPUBLISHED.

RELEASED FOR PUBLICATION

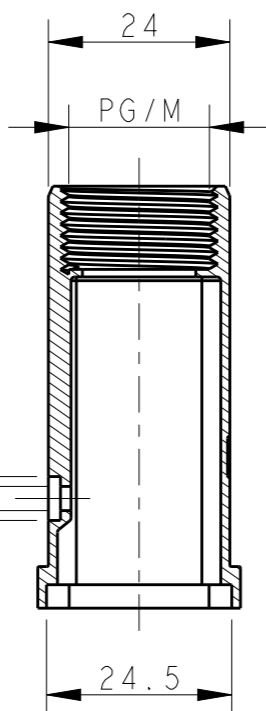
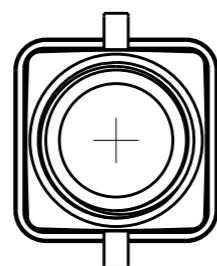
20

© COPYRIGHT 20 BY -

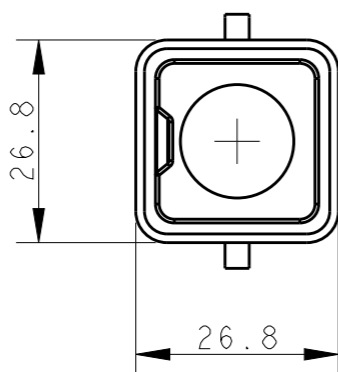
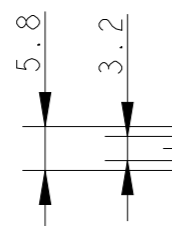
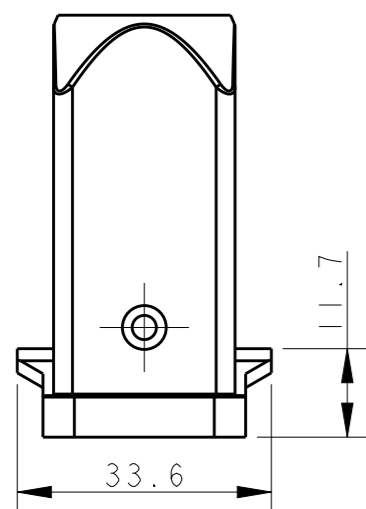
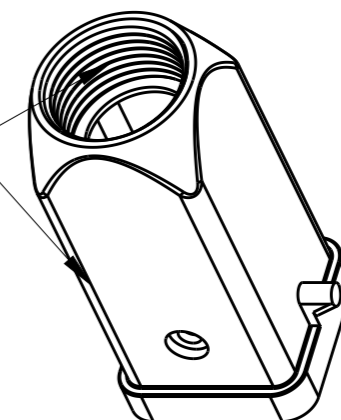
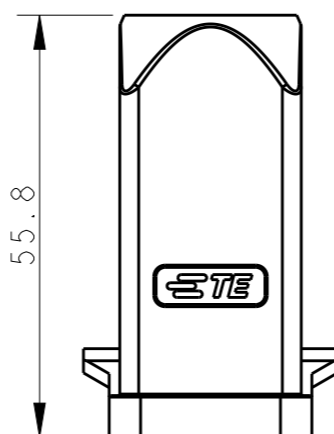
ALL RIGHTS RESERVED.

REVISIONS

| P | LTR | DESCRIPTION | DATE | DWN | APVD |
|---|-----|-----------------|-----------|-----|------|
| | A | INITIAL RELEASE | 04MAY2015 | DL | CW |
| | | | | | |
| | | | | | |



FOR "T1329034111-000" & "T1329036120-000"
NEED TO BE COATED INSIDE AND OUTSIDE




NOTES:

- 1. TECHNICAL CHARACTERISTICS:
 BODY MATERIAL: DIE CAST ZINC ALLOY
 SURFACE TREATMENT: SEE TABLE
 OPERATION TEMPERATURE: -40-+125°C
 DEGREE OF PROTECTION: IP65 (MATED)

注释:

- 1. 技术参数:
 主体材料: 锌合金
 表面处理: 见表格
 工作温度: -40-+125°C
 防护等级: IP65(配合)

| | | | |
|----------------------|---------------------------|---|------|
| T1329030111-000 | H3A-MTG-PG11 | POWDER-COATED, GRAY | PG11 |
| T1329030120-000 | H3A-MTG-M20 | | M20 |
| T1329034111-000 | H3A-MTG-PG11 | POWDER-COATED, GRAY (INSIDE AND OUTSIDE) | PG11 |
| T1329036120-000 | H3A-MTG-M20 | | M20 |
| T1329035111-100 | H3A-MTG-EMC-PG11 | Ni PLATED, EMC | PG11 |
| T1329035120-100 | H3A-MTG-EMC-M20 | | M20 |
| ASSEMBLY PART NUMBER | ASSEMBLY PART DESCRIPTION | SURFACE | PG/M |

| | | | | |
|--|--|--------------------------------|---|--|
| THIS DRAWING IS A CONTROLLED DOCUMENT. | | DWN 04MAY2015 DAVID LI |  TE Connectivity | |
| DIMENSIONS: mm | | CHK 04MAY2015 CHRIS WANG | | |
| TOLERANCES UNLESS OTHERWISE SPECIFIED: | | APVD 04MAY2015 XU XIANG | PRODUCT SPEC 108-137012 | |
| 0 PLC ±- | | APPLICATION SPEC 114-137012 | | |
| 1 PLC ±- | | WEIGHT - | | |
| 2 PLC ±- | | SIZE A3 | | |
| 3 PLC ±- | | CAGE CODE - | | |
| 4 PLC ±- | | DRAWING NO. C-T132903X1XXX00 | | |
| ANGLES ±- | | RESTRICTED TO - | | |
| FINISH - | | SCALE 1:1 | | |
| MATERIAL - | | SHEET 1 OF 1 | | |
| | | REV A | | |