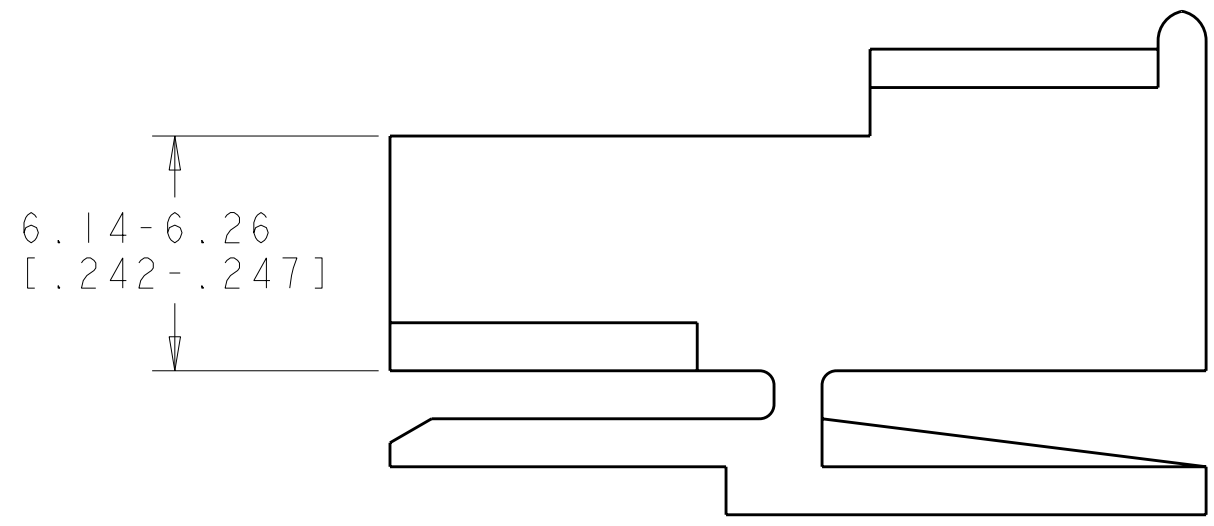
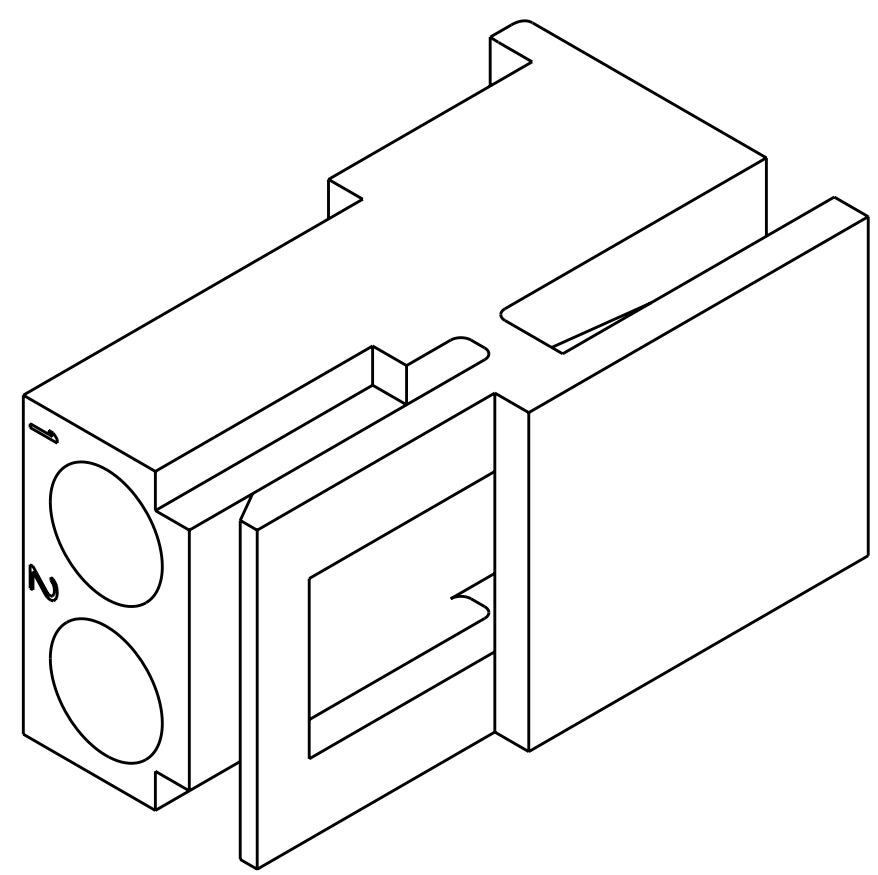
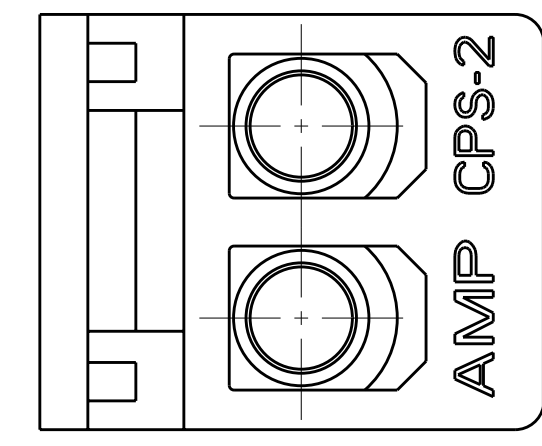
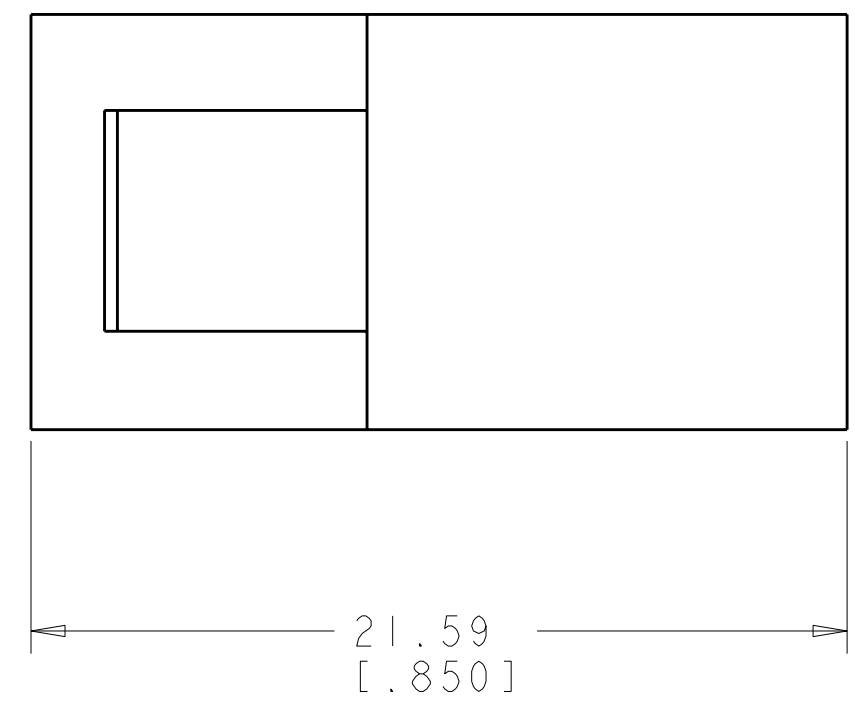
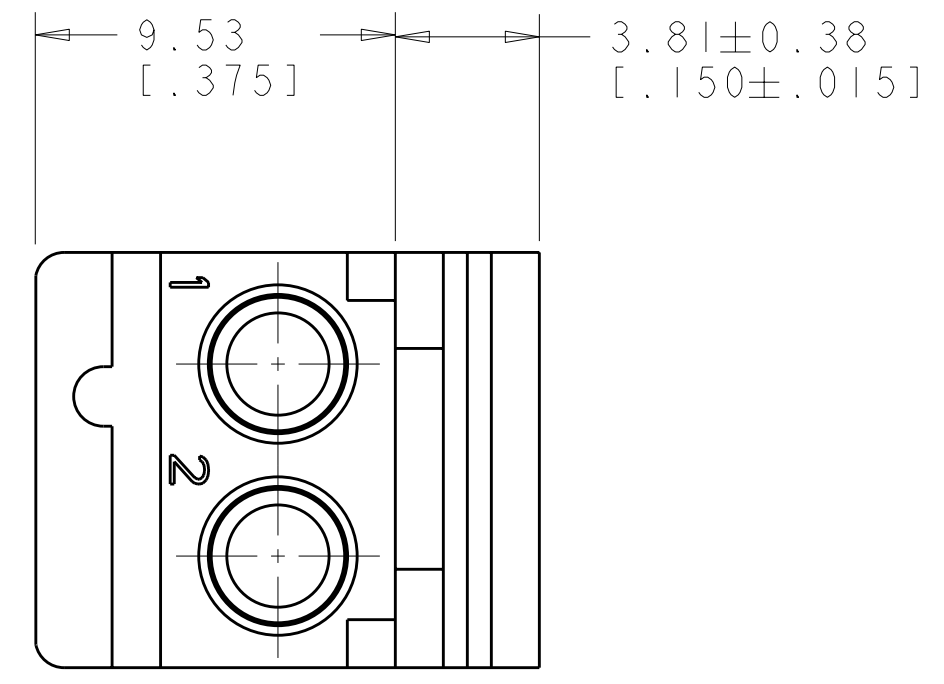


THIS DRAWING IS UNPUBLISHED. RELEASED FOR PUBLICATION 20
 © COPYRIGHT 20 BY - ALL RIGHTS RESERVED.

LOC		DIST		REVISIONS			
P	LTR	DESCRIPTION	DATE	DWN	APVD		
	J1	REVISED PER ECO-11-005027	18MAR2011	RK	HMR		



1. MATES WITH HEADER 350539, 350540.
2. TO BE USED WITH COMMERCIAL MATE-N-LOK™ SOCKETS.
3. MATES WITH CAP HOUSING 794012.



0.078 IN ³	1-480720-0
VOLUME	PART NUMBER



THIS DRAWING IS A CONTROLLED DOCUMENT.		DWN K. WHITAKER 27FEB2008	STE TE Connectivity				
DIMENSIONS: mm [INCHES]		CHK C. CASH 27FEB2008					
TOLERANCES UNLESS OTHERWISE SPECIFIED:		APVD C. CASH 27FEB2008	NAME PLUG, 2 CIRCUIT, COMMERCIAL MATE-N-LOK(TM)				
0 PLC ± -		PRODUCT SPEC	SIZE	CAGE CODE	DRAWING NO	RESTRICTED TO	
1 PLC ± -		-	A2	00779	480720	-	
2 PLC ± 0.13 [.005]		APPLICATION SPEC	SCALE	SHEET	OF	REV	J1
3 PLC ± -		-	5:1	1	1		
4 PLC ± -	ANGLES ± 0°30'	WEIGHT	CUSTOMER DRAWING				
FINISH							
MATERIAL NYLON, NATURAL							