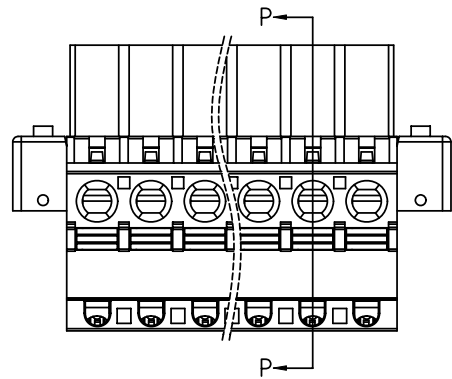


PRODUCT NUMBER	PITCH
H4xx50xD00J0G	5.08 mm



Dimension

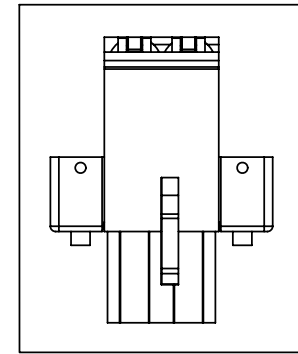
DIM A	$N \times 5.08 + 0.62$
DIM B	$(N-1) \times 5.08$
DIM C	$(N-1) \times 5.08 + 10.16$
DIM D	$(N-1) \times 5.08 + 15.86$

N=Number of poles

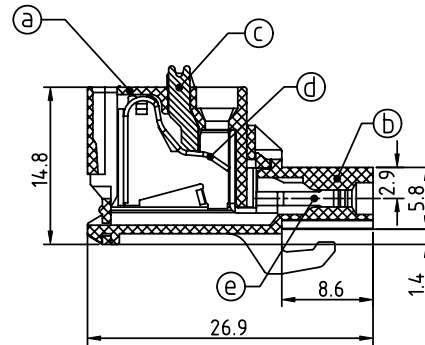
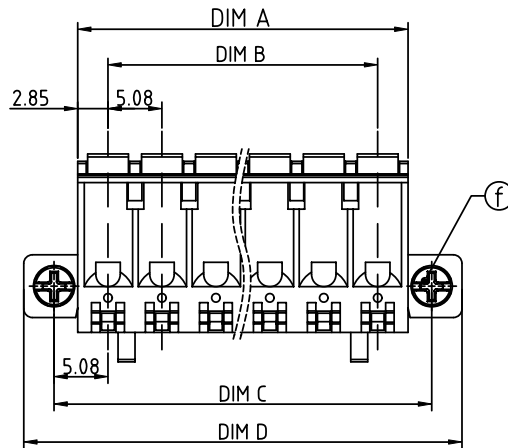
POLES	Tolerance
2p-6p	$\pm 0.15$
7p-12p	$\pm 0.25$
13p-16p	$\pm 0.35$
17p-24p	$\pm 0.40$

PART NO.: H4 xx 5 0 x D 00J0 G

Solid block	No. of poles	Color	RoHS compliant (lead<4%) In copper Alloy
0	2	Black (RAL9005)	
02	3	Red (RAL3001/D)	
03	4	Orange(RAL2011/P)	
...	...	5 Green(RAL6018/T)	
24	24	6 Blue (RAL5015/A)	
		8 Grey(RAL7035/D)	
		9 White(RAL1102)	
		C Green(RAL6018/U)	



2P



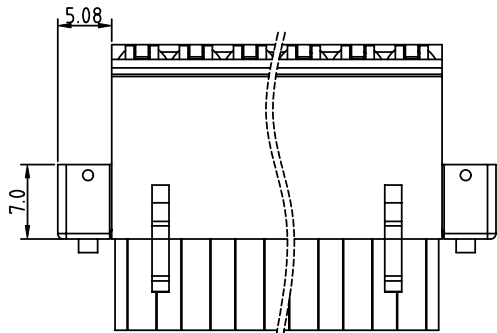
SECTION P-P

Material:

- Item a Top body: Thermoplastic ( UL94V-0 )
- Item d Bottom body: Thermoplastic ( UL94V-0 )
- Item c Terminal lever: Thermoplastic ( UL94V-0 ) Orange (RAL2001/P)
- Item e Spring Clamp: Stainless Steel
- Item f Female contact: PhBz ( CuSn ) Tin plated
- Item g Flange screw: Steel Zinc plating M2.5" +/- "combination type

Electrical cULus

- Voltage rating: 300V
- Current rating: 10A
- Solid wire (AWG): 12-26
- Stranded wire (AWG): 12-26
- Wire strip length: 9-10mm
- Withstanding Voltage: 1.6KV
- Operating temperature: -40°C to +115°C
- Safety Approval: cULus



mat'l. code		surface ASME Y14.5 ✓	tolerance ASME Y14.5	projection	product family	
ltr ecn no dr date		tolerances unless otherwise specified		MM	TERMINAL BLOCK	
		angles	X.±0.5		scale	title
		X°±1"	X.X±0.3		TERMINAL BLOCK	
			X.XX±0.1		SPRING CLAMP, PLUGGABLE PLUG	
		dr EVIN ZHONG 051614		FCI	WITH FLANGE, HOOK ON BACK SIDE	
		enr EVIN ZHONG 051614			dwg no	sheet 1 of 1 size
		chr HANKE FENG 051614			H4xx50xD00J0G	A4
		appd SHI JUN 051614			type	CUSTOMER Drawing
sheet index	revision sheet	A	1			