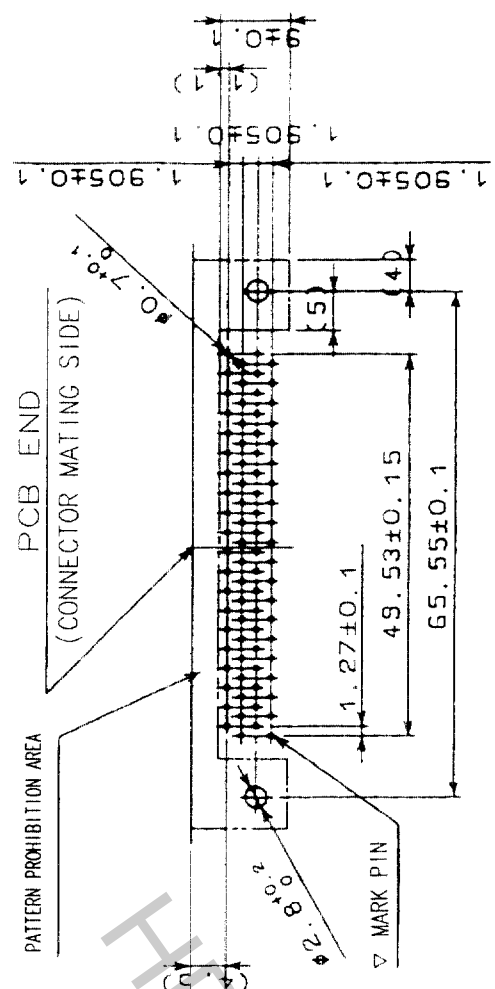
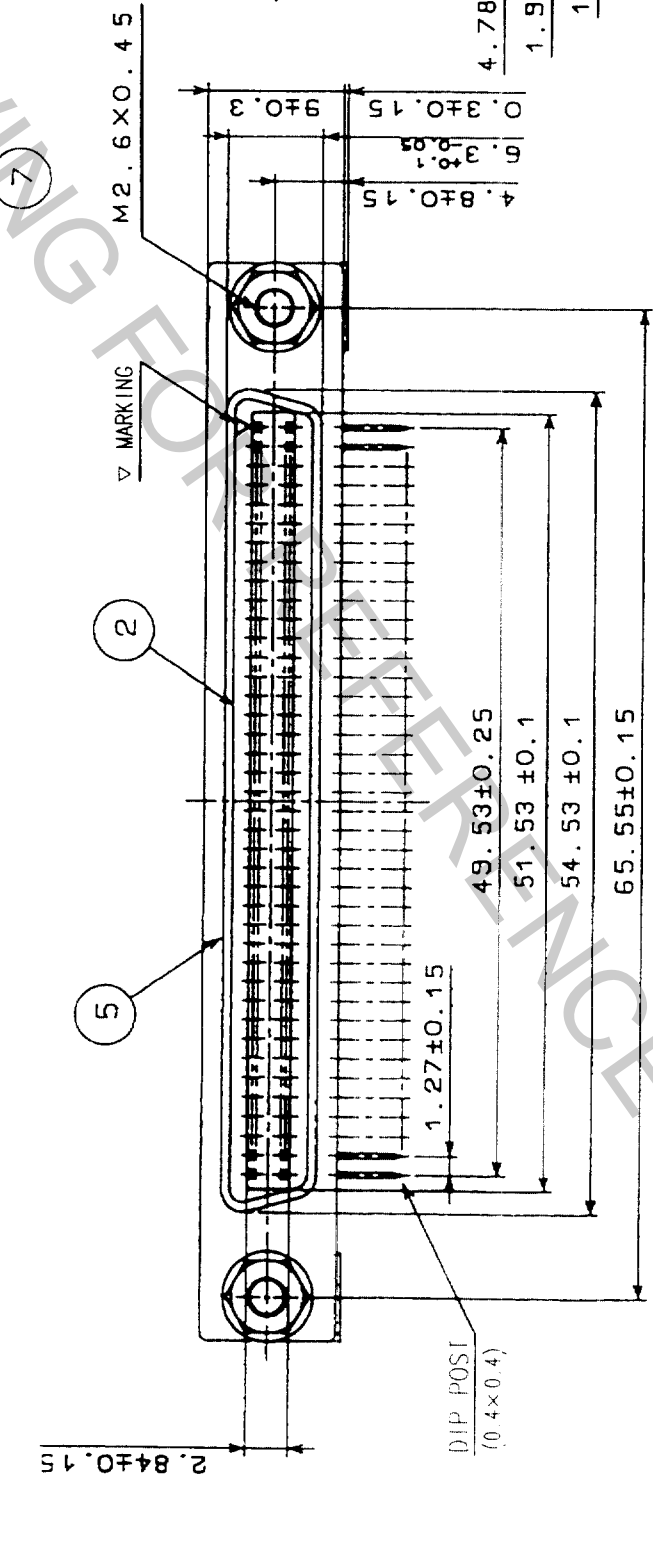
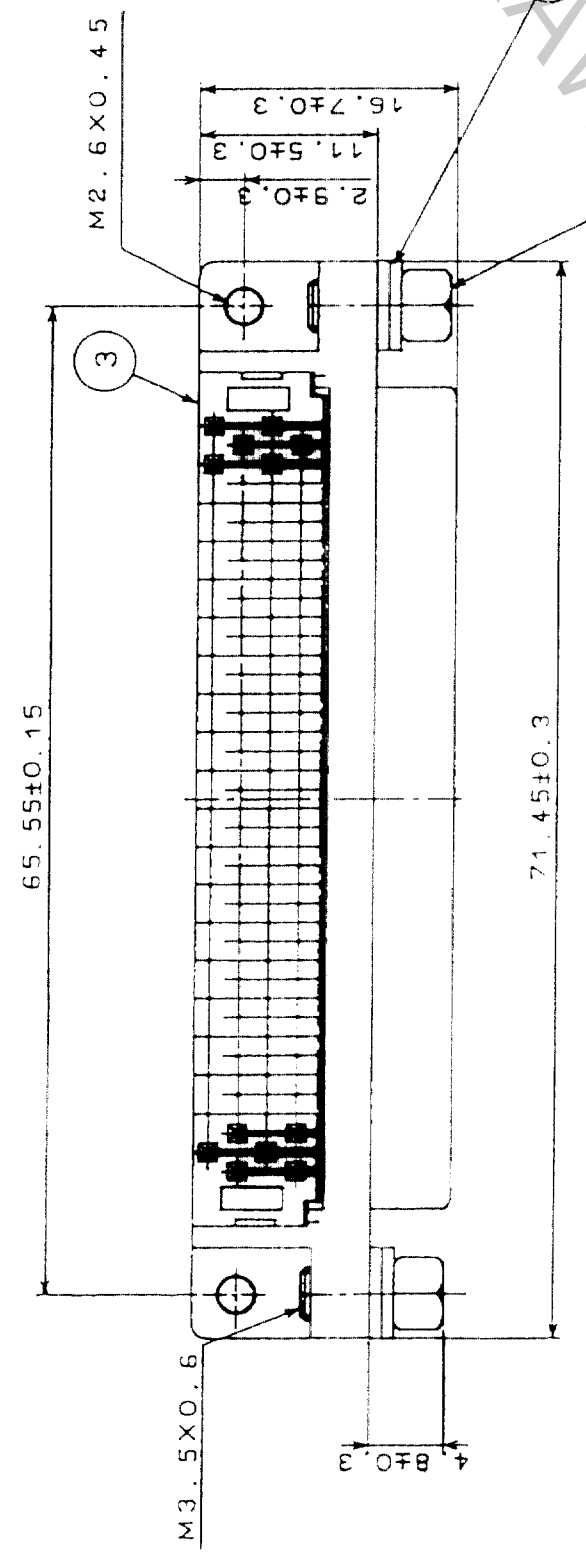
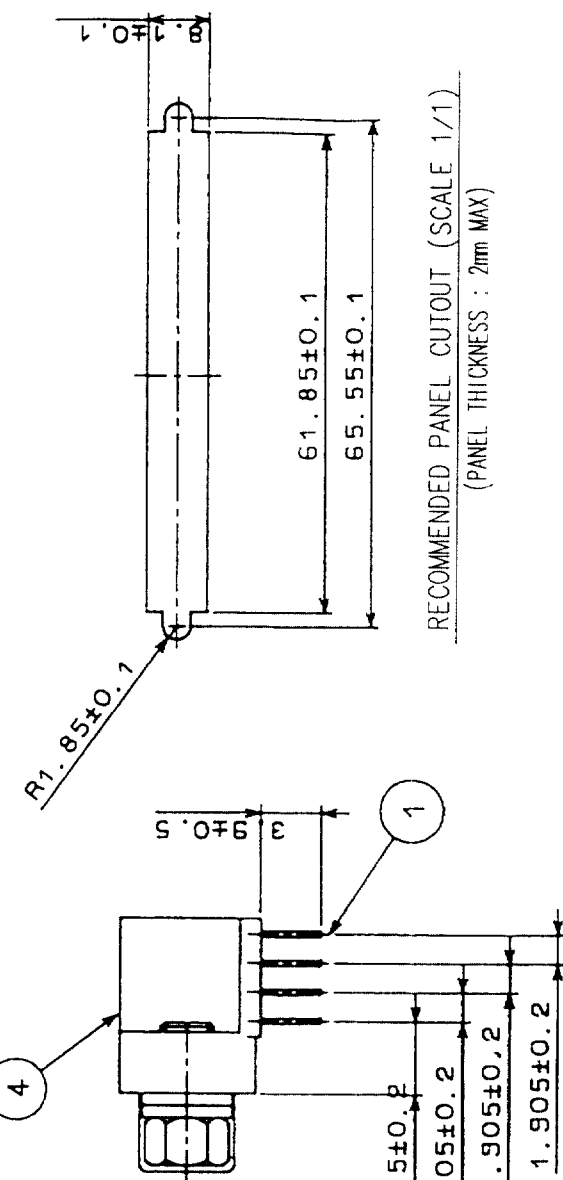


| NO. | DESCRIPTION OF REVISIONS | BY | CHKD | DATE | COUNT | DESCRIPTION OF REVISIONS | BY | CHKD | DATE |
|-----|--------------------------|----|------|------|-------|--------------------------|----|------|------|
| 1 | | | | | | | | | |
| 2 | | | | | | | | | |
| 3 | | | | | | | | | |
| 4 | | | | | | | | | |
| 5 | | | | | | | | | |
| 6 | | | | | | | | | |
| 7 | | | | | | | | | |
| 8 | | | | | | | | | |



RECOMMENDED PC BOARD PATTERN
(SCALE 1/1)



RECOMMENDED PANEL CUTOUT (SCALE 1/1)
(PANEL THICKNESS : 2mm MAX)

| NO. | MATERIAL | FINISH, REMARKS | NO. | MATERIAL | FINISH, REMARKS |
|-----|------------------------|------------------------------|-----|----------|-----------------|
| 4 | ZINC ALLOY DIE CASTING | NICKEL PLATING | 7 | BRASS | NICKEL PLATING |
| 3 | PBT | UL94V-0(BLACK) | 6 | STEEL | NICKEL PLATING |
| 2 | PBT | UL94V-0(BLACK) | 5 | STEEL | NICKEL PLATING |
| 1 | PHOSPHOR BRONZE | SELECTIVE GOLD PLATING 0.3μm | | | |

| CODE NO. (OLD) | CL | DRAWN | DESIGNED | CHECKED | APPROVED | RELEASED |
|----------------|----|----------------|----------------|-----------------|------------------|----------|
| | | <i>Y. Hara</i> | <i>Y. Hara</i> | <i>Y. Enami</i> | <i>H. Minami</i> | |
| | | 03.10.21 | 03.10.21 | 03.10.22 | 03.10.22 | |

| DRAWING NO. | PART NO. |
|----------------|----------------|
| EDC3-040391-01 | DX10BM-80S(50) |

| SCALE | UNITS | CODE NO. |
|-------|-------|-----------------|
| 2 : 1 | ITTT | CL230-5009-0-50 |

TO
Q