

MATERIAL NUMBER ASSIGNMENT

7 3 7 8 0 - \* \* \* \*

4 = 60-CKT PRESS-FIT  
5 = 120-CKT PRESS-FIT

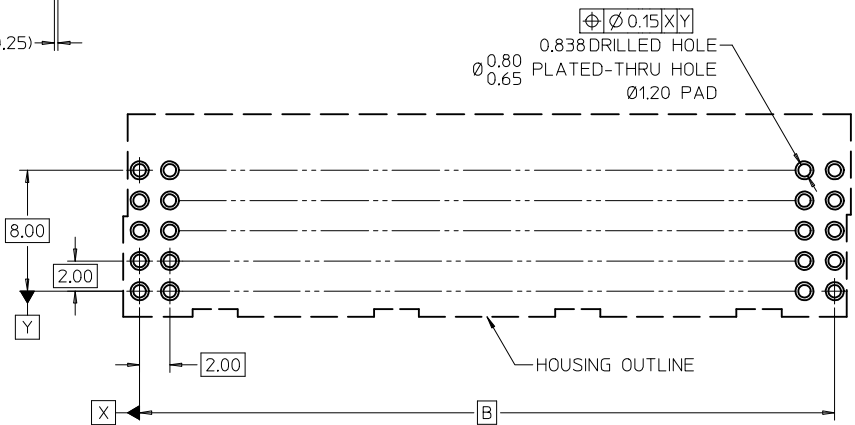
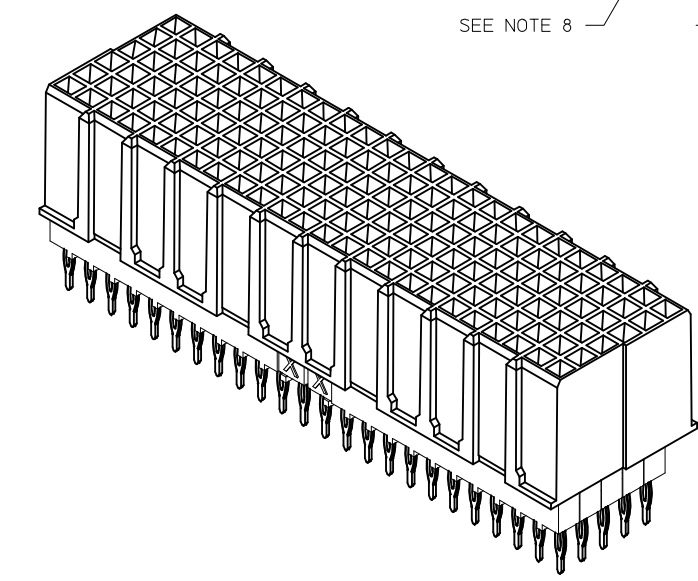
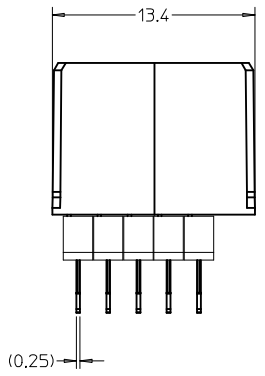
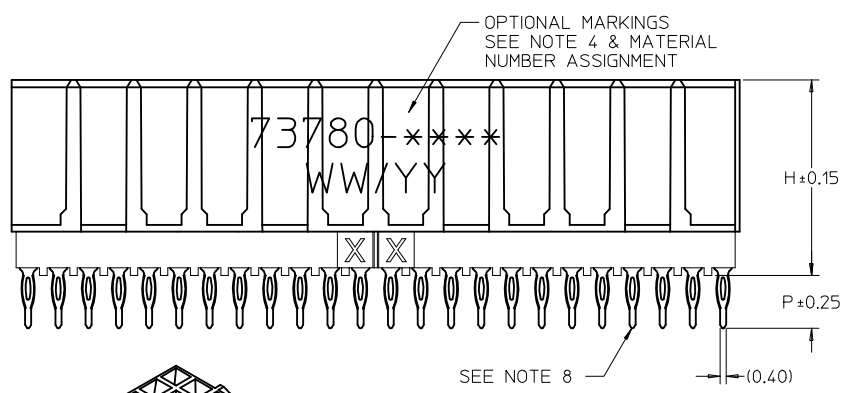
1 = NO MARKINGS  
2 = MARKINGS

DIM "H"  
3 = 13.0  
4 = 14.0  
5 = 15.0  
6 = 16.0  
7 = 17.0

DIM "P"  
4 = 3.00  
5 = 3.50  
6 = 4.00

NOTES:

1. MATERIALS: HOUSING - LIQUID CRYSTAL POLYMER (LCP), GLASS-FILLED, UL94V-0, COLOR: BLACK
2. FINISH: SELECTIVE GOLD (Au) IN CONTACT AREA, 0.00076mm MINIMUM THICKNESS, SELECTIVE TIN/LEAD (Sn/Pb), 0.00089mm MINIMUM THICKNESS ON PRESS-FIT TAILS, NICKEL (Ni) OVERALL
3. THIS PART CONFORMS TO MOLEX PRODUCT SPECIFICATION PS-73780-999.
4. MARKINGS INCLUDE MATERIAL NUMBER AND DATE CODE. REFER TO NUMBER ASSIGNMENT CHART FOR CORRECT MATERIAL NUMBER.
5. 73780-\*\*\*7 PARTS TO BE PACKAGED IN TUBES PER PK-70873-0872. ALL OTHER PARTS TO BE PACKAGED IN TUBES PER PK-70873-0900.
6. 120-CIRCUIT HDM DAUGHTERCARD STACKING MODULE WITH PRESS-FIT TAILS SHOWN FOR ILLUSTRATION PURPOSES ONLY.
7. DIMENSIONS ARE IN MILLIMETERS.
8. TRUE POSITION OF PRESS-FIT TAILS IS INSPECTED USING GAUGE NUMBER 73727-0014.



PCB LAYOUT: COMPONENT SIDE

73780-5***	120	48.17	46.00	47.6
73780-4***	60	24.17	22.00	23.6
MATERIAL NO.	CIRCUIT SIZE	DIM A	DIM B	DIM C

EC NO: UDT2001-0968 DRWN: L MOSLEY 2001/05/23 CHKD: S REED 2001/05/23 APPR: C BIXLER 2001/05/23	QUALITY SYMBOLS	GENERAL TOLERANCES (UNLESS SPECIFIED)	SCALE 4:1	DESIGN UNITS METRIC	THIRD ANGLE PROJECTION	REVISE ON CAD ONLY
	▽ -0 ∇ C -0	mm INCH 4 PLACES ± ± 3 PLACES ± ± 2 PLACES ±0.05 ± 1 PLACE ±0.10 ± ANGULAR ±1/2°	DIMENSION STYLE MM ONLY			
			TITLE SALES ASSEMBLY, HDM DAUGHTERCARD STACKING MODULE, 5 ROW			
	DESCRIPTION DRAFT WHERE APPLICABLE MUST REMAIN WITHIN DIMENSIONS	APPROVED BY DATE		DRAWN BY DATE		MATERIAL NO. DOCUMENT NO. SHEET NO.
C.BIXLER 98/08/05		S.REED 98/08/05		SEE CHART SD-73780-003 1 OF 1		
THIS DRAWING CONTAINS INFORMATION THAT IS PROPRIETARY TO MOLEX INCORPORATED AND SHOULD NOT BE USED WITHOUT WRITTEN PERMISSION						