

## Description

The ISL41334 evaluation board is RoHS compliant, and provides a quick and easy method for evaluating this two port Dual Protocol IC. The eval board also accommodates the ISL41387; see the "ISL41387EVAL1Z User's Manual" for details.

This board was designed to allow the user to evaluate all the features available on the ISL81334 and ISL41334 products. The ISL41334 is the full featured version (see "Features" below), where the QFN package's increased pin count gives the user access to functionality not available on the pin limited ISL81334. The same die is used in both products, so other than minor package effects, evaluating the QFN packaged ISL41334 is a reasonable substitute for evaluating the ISL81334.

By changing jumper positions the user can quickly set the board to evaluate any of the ISL41334's many modes and features, and the input states can also be set via jumpers.

Refer to the data sheet for complete details regarding the functions and features of this device. These dual protocol ICs feature many modes, so studying the device's truth-table along with its operating circuits and detailed description is the best way to gain an understanding of how the part works.

## Features

- QFN Version Demonstrates All Enhanced Features:  
Logic Supply Pin ( $V_L$ )  
Three RS-485 Speed Options - 115kbps/460kbps/20Mbps  
Active Low RS-485 Rx Enable for Simple Direction Control
- Quick Configuration Using Jumpers
- State of All Inputs Can be Set by Jumper Positions
- No Bus Termination Resistors on Port 1 Allows Easy RS-232 Evaluation; Bus Termination Resistors on Port 2 for RS-485 Evaluation
- Simple Operation Requires Only One, 5V, Power Supply

## Important Notes

To facilitate locating jumpers on this board, Figure 3 is a jumper locator and, in this App Note, the (#) following a jumper mention corresponds to the red jumper number on the locator. See the "Jumper Definitions" section for a description of the function of each jumper.

The base board is used to evaluate both the ISL41334 (2 port) and ISL41387 (1 port) products, so the jumper and connector names reflect the functionality of both products. Due to space limitations some jumper labels are abbreviated, but the corresponding BNC connector has the full label.

In most cases, a name that applies to both products contains no parenthesis (e.g., "B1"), a name that applies to only the ISL41334 is followed by "(NC)" (e.g., "B2 (NC)"), and a name that applies to only the ISL41387 is preceded by "NC" and/or has the name in parenthesis (e.g., "NC (DEN)" or "(DEN)").

Note that on "Rev. A" of these boards the following minor errors have been noted, and are corrected on subsequent revisions:

- Jumper label "A2/Y2\_LB" (9) should be "B2/Z2\_LB".
- Jumper label "B2/Z2\_LB" (10) should be "A2/Y2\_LB".
- Jumper labels "J-SELX" (7 and 8) should be "J-SELX (NC)" because they are not used for the ISL41387.
- Jumper label "J-RXEN2" (18) should be "J-RXEN2 (NC)" because it is not used for the ISL41387.
- Jumper label "J-RXEN" (not numbered) should be "J-(RXEN)" because it is only used for the ISL41387.
- Jumper label "J-DE2" (19) should be "J-DE2 (NC)" because it is not used for the ISL41387.
- Jumper label "J-DY2" (20) should be "J-DY2 (NC)" because it is not used for the ISL41387.
- Jumper label "J-ON/OFF" (21) should be "J-ON/OFF (NC)" because it is not used for the ISL41387.
- Jumper label "J-(SLEW)" (23) should be "J-DY1 (SLEW)".
- Jumper label "J-DE1" (24) should be "J-DZ1/DE1 (DY)".

It is important to note that the ISLX1334 don't follow the RS-485 convention whereby the inverting I/O is labeled "B/Z", and the noninverting I/O is "A/Y". Thus, the ISL41334 A/Y (B/Z) pins connect to the B/Z (A/Y) pins of generic RS-485/422 ICs.

Input signals that connect to a BNC connector, because they are likely to be driven by a generator, include a 50Ω termination resistor to GND when the jumper is in the "LOW" position.

Port 1 includes no Rx input nor Tx output termination resistors, as this port is intended for RS-232 evaluation. Port 2, intended for RS-485/422 evaluation, includes 120Ω differential termination resistors across the Rx inputs, and across the Tx outputs.

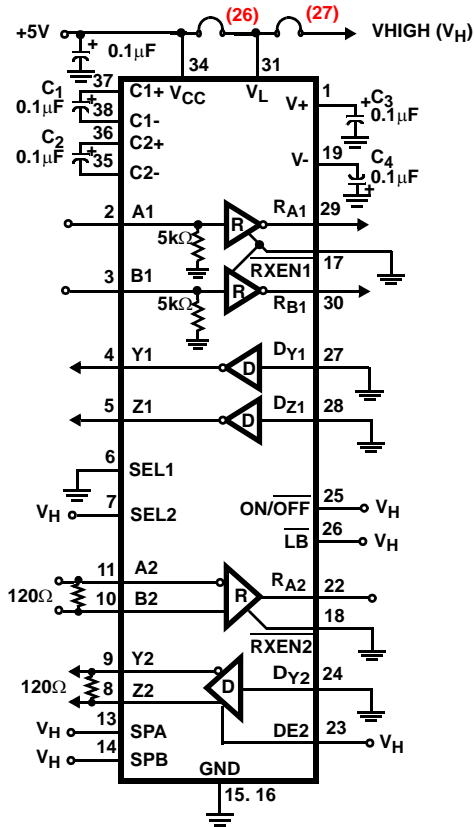
## Default Configuration

As delivered (see "Functional Diagram"), the board is configured for port 1 in RS-232 mode with Tx and Rx enabled (Tx is always enabled in RS-232 mode), Rx inputs floating, and Tx inputs low. Port 2 is in RS-485 mode with Tx and Rx enabled, Tx set for high speed (20Mbps) operation, driver input (DY) low, Rx inputs floating but shorted together

through a 120Ω termination resistor. Additionally, the ISL41334 is powered-up (i.e., not SHDN), has internal loopback disabled, and has V<sub>L</sub> shorted to V<sub>CC</sub>. To achieve this configuration, the jumpers are installed as follows (unlisted jumpers are not installed, and (#) indicates the jumper number on the Figure 3 jumper locator):

SEL1 (7) = LOW; SEL2 (8) = VH; RXEN1 (15) = LOW;  
 SPA (16) = VH; SPB (17) = VH; RXEN2 (18) = LOW;  
 DE2 (19) = VH; DY2 (20) = LOW; ON/OFF (21) = VH;  
 LB (22) = VH; DY1 (DZ/SLEW) (23) = LOW;  
 DZ1/DE1 (DY) (24) = LOW; RXBIAS-VCC (25) = installed;  
 VCC-VL (26) = installed; VL-VHIGH (27) = installed.

## Functional Diagram (Default Configuration)



## Supply Banana Jacks

There are eight banana jacks at the top of the board for power supply connections, but only V<sub>CC</sub> and GND are required connections. The function and use of each jack (from left to right) is:

**VLOAD** - This is a load voltage driving the load resistors connected to the Rx and Tx outputs (Tx resistors - R5, R6, R10, R11 - are not populated); used mostly during output enable and disable time characterizations.

**GND** - Common connection for any supplies used.

**RXBIAS** - A voltage that can be applied to any or all Rx inputs via jumpers ((2), (3), (11), (12)); the "RXBIAS-VCC" (25) jumper shorts this jack to V<sub>CC</sub>, so remove this jumper if supplying a voltage other than V<sub>CC</sub>.

**V+** - Used to monitor the positive charge pump voltage in RS-232 mode.

**V-** - Used to monitor the negative charge pump voltage in RS-232 mode.

**VCC** - The 5V supply connection.

**VHIGH** - Connects to all the "VH" positions on the jumpers to define the high level voltage for logic and Tx inputs; the "VL-VHIGH" (27) jumper shorts this jack to V<sub>L</sub>, so remove this jumper if supplying a voltage other than V<sub>L</sub>.

**VL** - The logic supply voltage that sets the ISL41334's Rx output V<sub>OH</sub> levels, and the logic and Tx input switching points; the "VCC-VL" (26) jumper shorts this jack to V<sub>CC</sub>, so remove this jumper if supplying a voltage other than V<sub>CC</sub>.

## Getting Started

Connect a 5V, 500mA minimum, power supply to the V<sub>CC</sub> and GND banana jacks. It is recommended that an ammeter be used between the supply and the board, so that I<sub>CC</sub> can be monitored. Ensure that the "RXBIAS-VCC" (25), "VCC-VL" (26) and "VL-VHIGH" (27) jumpers are installed in the upper right hand corner of the board.

For simplicity, the following discussions assume that port 1 is used for RS-232 evaluations, and port 2 for RS-485 evaluations. Of course, the user is free to configure either port for either protocol.

## External Loopback Via Jumpers

To evaluate the Rx and Tx performance at the same time, an external loopback can be implemented simply by installing jumpers "A1/Y1\_LB" (5) and "B1/Z1\_LB" (6) for port 1, and jumpers "A2/Y2\_LB" (10) and "B2/Z2\_LB" (9) (note swapped labeling on rev A boards) for port 2. In this configuration, the Tx output lines connect to the corresponding Rx input lines, so the data driven on the Tx input(s) appears at the Rx output(s). In RS-485 mode, data driven on DY loops back through A and B to R<sub>A</sub>. In RS-232 mode, DY loops back to R<sub>A</sub>, and DZ loops back to R<sub>B</sub>.

## Basic RS-485 DC Evaluation (Port 2)

### General Observations

I<sub>CC</sub> should be approximately 34mA. Most of this current is due to the RS-485 Tx driving the 120Ω termination resistor (R13). To get just the quiescent ISL41334 I<sub>CC</sub>, simply move jumper "DE2" (19) to the "LOW" position. I<sub>CC</sub> should now be approximately 3.4mA, due to the charge pumps running to provide the RS-232 transmitter supplies for port 1. Move jumper "DE2" back to the "VH" position.

Measure V+ and V- at the banana jacks - V+ ≈ +6V and V- ≈ -7V, indicating that the charge pumps are on. If both ports were programmed for RS-485 mode, then I<sub>CC</sub> drops to 1.3mA (if "DE2" = "LOW"), and V+ ≈ V<sub>CC</sub>, V- = GND.

RA2 is high - due to the “full failsafe” Rx - while RB2 is tri-stated, but pulled high by a weak internal current source, because it is unused in RS-485 mode.

### Receiver Tests

The “full failsafe” nature of the Rx can be evaluated by manipulating the “A2 (485/232)” (14) and “B2” (13) input jumpers. In the default configuration, A2 and B2 are “shorted” via a 120Ω termination resistor, but RA2 (measure at the “RA2 (NC)” test point, located between test points “TP17” and “TP21”) remains high due to the failsafe “terminated but undriven” functionality. Installing jumpers “A2” (14) (to the “LOW” position) and “B2” effectively shorts the two inputs together (i.e.,  $V_{ID} = V_{B2} - V_{A2} = 0$ ). RA2 still remains high, indicating that the Rx is also failsafe “shorted”. Failsafe “open” is best demonstrated using port 1. Simply move the “SEL1” (7) jumper to the VH position to place port 1 in RS-485 mode (note that  $I_{CC}$  drops to 1.3mA, if “DE2” is “LOW”). In this configuration, A1 and B1 float (5kΩ pull-down resistors only connect in RS-232 mode), but RA1 (measure at the “RA1 (RB)” test point to the left of jumper (24)) remains high due to the failsafe “open” functionality. This combination of failsafe “open”, “shorted”, and “terminated but undriven” yields a “full-failsafe” Rx. Switch the “SEL1” jumper back to the “LOW” position.

To switch the port 2 Rx output state leave the “B2” jumper installed, remove the “A2” jumper, and install the A2 Rx bias jumper, “J12” (11). The “RXBIAS-VCC” (25) jumper now drives the A2 input voltage to  $V_{CC}$ , which switches RA2 low. Removing the “RXBIAS-VCC” jumper, and connecting a power supply between the “RXBIAS” banana jack and GND now sets the Rx differential input voltage, via A2, and varying this supply switches the Rx output state. For example, with the RXBIAS supply = 0V ( $V_{ID} = 0V$ ) RA2 is high, and increasing RXBIAS to at least +200mV ( $V_{ID} = -200mV$ ) switches the output low. When finished, remove jumper “J12”.

To disable the Rx output via the active low  $\overline{RXEN2}$  pin, move jumper “RXEN2” (18) to the “VH” position.

Move the “RXEN2” jumper back to the “LOW” position, remove the “RXBIAS” power supply and the “B2” jumper, and reinstall the “RXBIAS-VCC” (25) jumper.

### Driver Tests

Tx DC output levels are independent of Tx speed setting. In the default configuration, the driver input, DY2, is low, so the Tx noninverting output, Z2, is low ( $\approx 0.9V$ ), while the inverting output, Y2, is high ( $\approx 4.6V$ ). To switch the output states, simply move the “DY2” (20) jumper to the “VH” position. In either state, note the exceptionally large differential output voltage ( $V_{OD}$ ) of  $\approx 3.5V$  into the 120Ω load. To evaluate the double terminated  $V_{OD}$  ( $\approx 3.3V$ ), configure port 2 for “external loopback”, as described previously (i.e., install jumpers (9) and (10)).

To disable the Tx output via the active high DE2 pin, move the “DE2” (19) jumper from the “VH” to the “LOW” position.

When finished, return the “DE2” jumper to the “VH” position, return the “DY2” jumper to the “LOW” position, and remove the “external loopback” jumpers.

### Internal Loopback

Before enabling loopback mode, note that the RA2 output is high. To configure the ISL41334 for internal loopback, simply move jumper “LB” (22) from the “VH” to the “LOW” position. Note that  $I_{CC}$  increases by  $\approx 3.3mA$ , due to the enabling of the loopback receivers, and note that the  $\overline{LB}$  pin controls both ports. RA2 is now low due to the Tx outputs internally driving the Rx. You can repeat the previous Rx switching tests to confirm that the external Rx input pins now have no affect on RA2.

When finished, return the “LB” jumper to the “VH” position.

### Low Power SHDN

SHDN automatically powers down both ports, shuts off the charge pumps ( $V+$  collapses to  $V_{CC}$ ,  $V-$  to GND), disables the Tx and Rx outputs, and places the ISL41334 in it’s lowest power mode. Before entering SHDN, remove the “ON/OFF” (21) jumper, and note that the pin’s on-chip pull-up resistor keeps the ISL41334 powered-up. To enter SHDN, move the “ON/OFF” jumper from the “VH” to the “LOW” position. In the default configuration, the  $I_{CC}$  drops to 25μA.

Return the “ON/OFF” jumper to the “VH” position.

### Basic RS-485 AC Evaluation

#### Receiver Tests

Before starting, ensure that the jumpers are back in the default positions. Note that the RS-485 Rx operates at high speed, regardless of the Tx speed selection.

Due to the Rx differential termination resistor (R14) across A2 and B2, the easiest way to evaluate the Rx by itself is by using port 1. Move the “SEL1” (7) jumper to the “VH” position to set port 1 to RS-485 mode.

Add jumper “B1” (4) to connect that input to GND, and add jumper “A1” (1) to engage the 50Ω term. Connect a generator to the “A1” BNC, and set it for a -1.5V to +1.5V swing. Monitoring test points “TP6” (input), and “RA1(RB)” (output) with a scope allows the Rx prop delays and skews to be measured. If desired, you can load the Rx output with a 1kΩ resistor by adding jumper “J13” (not numbered), located below, and left of, test point “RA1 (RB)”. This resistor terminates to the “VLOAD” banana jack (upper left hand corner), allowing the resistor to be terminated to GND by shorting “VLOAD” to GND, or terminated to any voltage by connecting “VLOAD” to an external supply.

You can also measure the Rx enable/disable time to/from a low output state via the active low  $\overline{RXEN1}$  pin. From the

previous jumper configuration, leave the “B1” and “J13” jumpers installed, remove the “A1” jumper, and install the A1 Rx bias jumper, “J10” (2). Connect the “VLOAD” jack to  $V_{CC}$ , switch the “RXEN1” (15) jumper to the low position to engage the 50Ω term, set the generator to swing from 0V to 3V, and move the generator to the “RXEN1” BNC. Monitoring test points “TP11” (input), and “RA1(RB)” (output) with a scope allows the Rx enable and disable times to be measured. To evaluate the Rx enable/disable time to/from a high output state, simply remove “J10”, and connect “VLOAD” to GND.

## Tx Speed Selection

Before performing any driver AC evaluation, ensure that all jumpers are in their default positions, and then configure the “SPA” (16) and “SPB” (17) jumpers for the desired Tx speed setting. Table 1 details the jumper settings for each of the speed options.

**TABLE 1. JMPR SETTINGS FOR Tx SPEED SELECTION**

DATA RATE	J-SPA (16)	J-SPB (17)
115kbps	“LOW”	“VH”
460kbps	“LOW”	“LOW”
20Mbps	“VH”	“LOW” or “VH”

## Driver Tests (Port 2)

R13 provides a differential 120Ω load across the driver outputs, and, if desired, a differential capacitive load may be soldered on top of R13. Alternatively, single ended (Y2 or Z2 to GND) resistive and/or capacitive loads may be added at positions “C3” and “C5”, if so desired.

Ensure that the “DY2” (20) jumper is in the “LOW” position to engage the 50Ω term resistor, connect the generator to the “DY2 (NC)” BNC, and set the swing for 0 to 3V. Monitoring test points “TP19” (input), and “TP3” and “TP7” (Y2 and Z2 outputs respectively) with a scope allows the Tx prop delays, skews, and transition times to be measured. To view the differential waveform, use the scope’s math function to generate “Z-Y”.

To measure the Tx output enable and disable times, start with the previous jumper configuration and move the “DZ2/DE2” (19) jumper to the “LOW” position to engage its 50Ω term resistor. Connect the generator to the “DZ2/DE2 (NC)” BNC, and set the swing for 0 to 3V. Monitoring test points “TP21” (input), and “TP3” and “TP7” (Y2 and Z2 outputs respectively) with a scope allows the enable and disable times to be measured. Note that the differential termination resistor collapses the disabled outputs.

## Evaluating Driver and Receiver Combined Performance

Start with the default jumper configuration. Performance through a cascaded Tx and Rx can easily be evaluated, utilizing the external loopback function, by installing jumpers “A2/Y2\_LB (10) and “B2/Z2\_LB (9) (note swapped labeling

on rev A boards). In this configuration, the Tx output lines connect to the corresponding Rx input lines, so the data driven on the Tx input (DY2) appears at the Rx output (RA2).

Differential 120Ω resistors R13 and R14 allow evaluation of the Tx performance while driving a double terminated load.

## Interconnecting Driver and Receiver with a Cable

To evaluate the performance of the Tx and Rx (port 2) interconnected by a cable, start with the default configuration, connect one wire of a twisted pair between test points “TP7” and “TP8”, and connect the other wire in the pair between “TP3” and “TP4”. Ensure that the “DY2” (20) jumper is in the “LOW” position to engage the 50Ω term resistor, connect the generator to the “DY2 (NC)” BNC, and set the swing for 0 to 3V. Monitoring test points “TP19” (input), and test point “RA2 (NC)” (Rx output) illustrates the overall input to output performance.

Resistors R14 and R13 provide source and load terminations for the cable.

## Basic RS-232 DC Evaluation (Port 1)

### General Observations

To better evaluate the RS-232 mode  $I_{CC}$ , it is a good idea to disable the RS-485 drivers by moving jumper “DZ2/DE2” (19) to the “LOW” position.  $I_{CC}$  should be approximately 3.4mA after this change.

Note that RS-232 drivers and receivers are inverting by definition.

Don’t use Port 2 for RS-232 evaluation without removing the input and output differential termination resistors (R13 and R14), or the RS-232 waveforms will be severely distorted.

### Receiver Tests

In the default configuration - see “Functional Diagram - RA1 (measure at the “RA1(RB)” test point to the left of jumper (24)) and RB1 (measure at the “RB1(RA)” test point to the right of jumper (1)) are high due to the A1 and B1 5kΩ input resistors to GND.

To switch the port 1 Rx output states, install the A1 and B1 Rx bias jumpers, “J10” (2) and “J9” (3). The “RXBIAS-VCC” (25) jumper now drives the Rx input voltages to  $V_{CC}$ , which switches RA1 and RB1 low. Removing the “RXBIAS-VCC” jumper and connecting a power supply between the “RXBIAS” banana jack and GND, allows this supply to set the Rx input voltages, in case the user wants to evaluate the Rx switching points. When finished, remove jumpers “J10” and “J9”.

To disable the Rx outputs via the active low  $\overline{RXEN1}$  pin, move jumper “RXEN1” (15) to the “VH” position.

Return the “ $\overline{RXEN1}$ ” jumper to the “LOW” position, remove the “RXBIAS” power supply, and reinstall the “RXBIAS-VCC” jumper.



## Driver Tests

The RS-232 Tx outputs, Y1 and Z1, are high ( $\approx 6.5V$ ) in the default configuration, because DY1 and DZ1 are low. To switch the output states ( $V_{OL} \approx -7V$ ), simply move the “DY1 (DZ/SLEW)” (23) and “DZ1/DE1 (DY)” (24) jumpers (note Rev. A label errors) to the “VH” position. To evaluate the loaded driver output voltages, configure port 1 for “external loopback”, as described previously (i.e., install jumpers (5) and (6)). Each driver output is now loaded by an Rx input resistor, and the output voltages still exceed  $\pm 6.2V$ .

The Tx outputs can't be tri-stated in RS-232 mode, except via the SHDN function.

Remove the “external loopback” jumpers when finished, and switch the “DY1 (SLEW)” and “DZ1/DE1 (DY)” jumpers back to the “LOW” positions.

## Internal Loopback

Before enabling loopback mode, note that the RA1 and RB1 outputs are high. To configure the ISL41334 for internal loopback, simply move jumper “LB” (22) from the “VH” to the “LOW” position. Note that  $I_{CC}$  increases by  $\approx 3.3mA$ , due to the enabling of the loopback receivers, and note that the LB pin controls both ports. RA1 and RB1 are now low due to the Tx outputs internally driving the Rx. You can repeat the previous Rx switching tests to confirm that the external Rx input pins now have no effect on the Rx outputs. Switching the state of jumpers “DY1 (DZ/SLEW)” (23) and “DZ1/DE1 (DY)” (24) will toggle RA1 and RB1 accordingly.

When finished, return the “LB” jumper to the “VH” position.

## Low Power SHDN

SHDN automatically powers down both ports, shuts off the charge pumps ( $V+$  collapses to  $V_{CC}$ ,  $V-$  to GND), disables the Tx and Rx outputs, and places the ISL41334 in its lowest power mode. To enter SHDN, move the “ON/OFF” (21) jumper from the “VH” to the “LOW” position. In the default configuration, the  $I_{CC}$  drops to  $25\mu A$ .

## Basic RS-232 AC Evaluation (Port 1)

Before starting, ensure that the jumpers are back in the default positions, with the “DZ2/DE2” (19) jumper in the “LOW” position. Note that the RS-232 data rate is fixed, so the speed select pins have no effect.

## Receiver Tests

Add jumper “A1” (1) to engage the  $50\Omega$  term, connect a generator to the “A1” BNC, and set it for at least a 0V to 3V swing. Monitoring test points “TP6” (input), and “RA1 (RB)” (output) with a scope allows the Rx prop delays and skews to be measured. If desired, you can load the Rx output with a  $1k\Omega$  resistor by adding jumper “J13” (not numbered), located below, and left of, test point “RA1 (RB)”. This resistor terminates to the “VLOAD” banana jack (upper left hand corner), allowing the resistor to be terminated to GND by

shorting “VLOAD” to GND, or terminated to any voltage by connecting “VLOAD” to an external supply.

To measure the Rx enable/disable time to/from a high output state via the active low  $\overline{RXEN}$  pin, start from the previous jumper configuration, leave the “J13” jumper installed, and connect the “VLOAD” banana jack to GND. Remove the “A1” jumper (Rx input is pulled low by its on-chip pull-down), switch the “ $\overline{RXEN1}$ ” (15) jumper to the low position to engage the  $50\Omega$  term, set the generator to swing from 0V to 3V, and move the generator to the “ $\overline{RXEN1}$ ” BNC. Monitoring test points “TP11” (input), and “RA1 (RB)” (output) with a scope allows the Rx enable and disable times to be measured. To evaluate the Rx enable/disable time to/from a low output state, install the A1 Rx bias jumper, “J10” (2), and connect the “VLOAD” banana jack to  $V_{CC}$ .

## Driver Tests

Ensure that the “DY1 (DZ/SLEW)” (23) jumper is in the “LOW” position to engage the  $50\Omega$  term resistor, connect the generator to the “DY1 (DZ/SLEW)” BNC, and set the swing for 0 to 3V. Monitoring test points “TP20” (input) and “TP5” (output) with a scope, allows the Tx prop delays, skews, and transition times to be measured.

To measure the “loaded” driver performance, simply remove the “J10” (2) jumper, and add the “A1/Y1\_LB” (5) jumper, which connects an Rx input, including its  $5k\Omega$  pull-down, to the driver output. Capacitive loading can be added at position C4.

The ISLX1334 have no Tx enable pins in RS-232 mode; refer to the data sheet for possible ways to implement an RS-232 disable function.

## Evaluating Driver and Receiver Combined Performance

Performance through a cascaded Tx and Rx can easily be evaluated, utilizing the external loopback function. Ensure that the “A1/Y1\_LB (5) jumper is installed, that the “ $\overline{RXEN1}$ ” (15) jumper is set to the “LOW” position, and that the “DY1 (DZ/SLEW)” (23) jumper is in the “LOW” position. Connect the generator to the “DY1 (DZ/SLEW)” BNC, and set the swing for 0 to 3V. Monitoring test points “TP20” (input), and “RA1 (RB)” (output) with a scope allows evaluation of the total Tx and Rx performance. In this configuration, the Tx output line connects to an Rx input line, so the data driven on the Tx input (DY) appears at the Rx output (RA).

## Evaluating the Logic Supply ( $V_L$ ) Function

The ISL41334 includes a  $V_L$  pin that powers the logic inputs (Tx inputs and control pins) and Rx outputs, regardless of protocol selection. These pins interface with “logic” devices such as UARTs, ASICs, and  $\mu$ controllers, and today most of these devices use power supplies significantly lower than 5V. Connecting the  $V_L$  pin to the power supply of the logic device limits the ISL41334's Rx output  $V_{OH}$  to  $V_L$ , and reduces the Tx and control input switching points to values

compatible with the logic device's output levels. If the logic device is also powered by 5V, then the  $V_L$  pin should be shorted to the  $V_{CC}$  pin.

To evaluate the  $V_L$  pin performance, remove the "VCC-VL" (26) jumper, and connect a supply between the "VL" and "GND" banana jacks.  $V_L$  can be anywhere from  $V_{CC}$  down to 1.65V, but the input switching points may not provide enough noise margin when  $V_L < 1.8V$ . Table 2 indicates typical  $V_{IH}$  and  $V_{IL}$  values for various  $V_L$  values so the user can ascertain whether or not a particular  $V_L$  voltage meets his needs.

**TABLE 2.  $V_{IH}$  AND  $V_{IL}$  vs.  $V_L$  FOR  $V_{CC} = 5V$**

$V_L$ (V)	$V_{IH}$ (V)	$V_{IL}$ (V)
1.65V	0.79	0.50
1.8V	0.82	0.60
2.0V	0.87	0.69
2.5V	0.99	0.86
3.3V	1.19	1.05

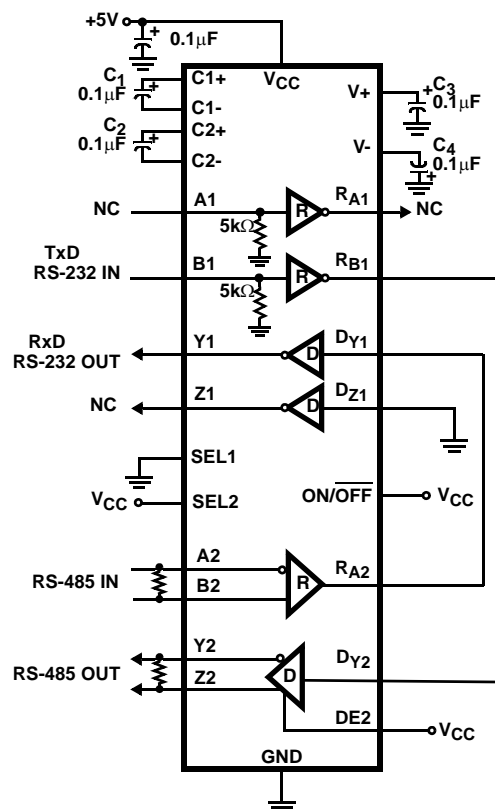
To evaluate the  $V_L$  impact on Rx  $V_{OH}$ , vary the  $V_L$  voltage while monitoring a high Rx output. To evaluate the  $V_L$  effect on input switching points, remove the "VL-VHIGH" (27) jumper, connect a new supply between the "VHIGH" and "GND" banana jacks, set the  $V_L$  supply to the desired voltage, move the jumper of the input to be tested to the "VH" position, and vary the "VHIGH" supply to determine the switching point.

### Connecting the ISL41334 as an RS-232 to RS-485 Converter

This two port dual protocol IC is ideal for implementing a two wire (RxD and TxD) RS-232 to RS-485 converter, as shown in Figure 1. To evaluate this circuit using the eval board (starting with the default configuration): install the "B1" (4) jumper to connect the 50Ω termination on the input; remove the "DY1 (DZ/SLEW)" (23) and "DY2" (20) jumpers; connect a wire from the "RB1 (RA)" test point to the DY2 test point ("TP19"); connect a wire from the "RA2 (NC)" test point to the DY1 test point ("TP20"); connect the port 2 "external loopback" jumpers (9 and 10), and move the "SPA" (16) and "SPB" (17) jumpers to the "LOW" positions to set the RS-485 Tx speed to the medium data rate option. Note that the RS-232 Tx output (Y1) is unloaded in this configuration, while the RS-485 Tx output drives a double terminated load (R13 and R14). The RS-232 output can be resistively loaded by looping it back to the "A1" input via the "A1/Y1\_LB" (5) jumper, and can be capacitively loaded by soldering the desired load value in position C4. To add a differential capacitive load to the RS-485 driver, simply solder the capacitor on top of termination resistor R13, or solder a capacitor across the C3 and C5 pads that connect to Y2 and Z2, respectively.

Connect a generator to the "B1" BNC connector, and drive the input from 0 to 3V at a data rate up to 650kbps (generator period  $\geq 3.1\mu s$ ). The data will loop through the RS-232 Rx, to the RS-485 Tx, to the RS-485 Rx, and back through the RS-232 Tx, appearing at the "Y1" output back in RS-232 form.

To evaluate the performance with the RS-485 Tx driving a cable, remove the port 2 external loopback jumpers, and connect a twisted pair cable from "Y2" ("TP3") and "Z2" ("TP7") to "A2 (485/232)" ("TP4") and "B2" ("TP8") respectively.



**FIGURE 1. SINGLE IC RS-232 TO RS-485 CONVERTER**

### Jumper Definitions

The jumpers used to evaluate the ISL41334 are:

- J-A1 (1)** - Connects A1 input to GND through a 50Ω resistor.
- J10 (2)** - Connects A1 input to the RXBIAS jack.
- J9 (3)** - Connects B1 input to the RXBIAS jack.
- J-B1 (4)** - Connects B1 input to GND through a 50Ω resistor.
- A1/Y1\_LB (5)** - Loops output Y1 back to input A1.
- B1/Z1\_LB (6)** - Loops output Z1 back to input B1.
- J-SEL1 (7)** - "VH" sets port 1 to RS-485 mode; "LOW" sets it to RS-232 mode.

## Application Note 1259

**J-SEL2 (8)** - "VH" sets port 2 to RS-485 mode; "LOW" sets it to RS-232 mode.

**B2/Z2\_LB (9)** - Loops output Z2 back to input B2 (note label error on rev. A boards).

**A2/Y2\_LB (10)** - Loops output Y2 back to input A2 (note label error on rev. A boards).

**J12 (11)** - Connects A2 input to the RXBIAS jack.

**J11 (12)** - Connects B2 input to the RXBIAS jack.

**J-B2 (13)** - Connects B2 input to GND through a 50 $\Omega$  resistor.

**J-A2 (14)** - "LOW" connects A2 input to GND through a 50 $\Omega$  resistor; "VH" connects A2 to the "VHIGH" jack.

**J-RXEN1 (15)** - "LOW" enables port 1 Rx; "VH" disables Rx.

**J-SPA (16)** - Used with SPB to set the RS-485 Tx data rate (see Table 1).

**J-SPB (17)** - Used with SPA to set the RS-485 Tx data rate (see Table 1).

**J-RXEN2 (18)** - "LOW" enables port 2 Rx; "VH" disables Rx.

**J-DZ2/DE2 (19)** - "LOW" disables port 2 Tx in RS-485 mode, or sets the Z Tx input low in RS-232 Mode; "VH" enables port 2 Tx in RS-485 mode, or sets the Z Tx input high in RS-232 Mode.

**J-DY2 (20)** - Sets the state of the port 2 DY Tx input.

**J-ON/OFF (21)** - "LOW" places IC in low power SHDN; "VH" sets IC for normal operation.

**J-LB (22)** - "LOW" enables internal loopback; "VH" disables it.

**J-DY1 (SLEW) (23)** - Sets the state of the port 1 DY Tx input.

**J-DZ1/DE1 (24)** - "LOW" disables port 1 Tx in RS-485 mode, or sets the Z Tx input low in RS-232 Mode; "VH" enables port 1 Tx in RS-485 mode, or sets the Z Tx input high in RS-232 Mode.

**RXBIAS-VCC (25)** - Connects  $V_{CC}$  to the "RXBIAS" jack; if driving RXBIAS from a voltage other than  $V_{CC}$ , remove this jumper.

**VCC-VL (26)** - Connects  $V_{CC}$  to the "VL" jack; if driving VL from a voltage other than  $V_{CC}$ , remove this jumper.

**VL-VHIGH (27)** - Connects  $V_L$  to the "VHIGH" jack; if driving VHIGH from a voltage other than  $V_L$ , remove this jumper.

### PCB Layout Information

The dimensions for the QFN land pattern used on this board are shown in Figure 2.

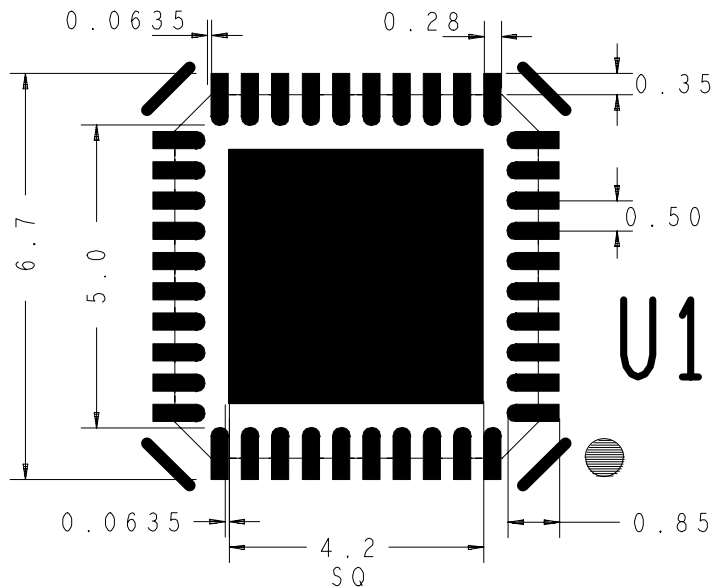


FIGURE 2. QFN LAND PATTERN AND DIMENSIONS (in mm)

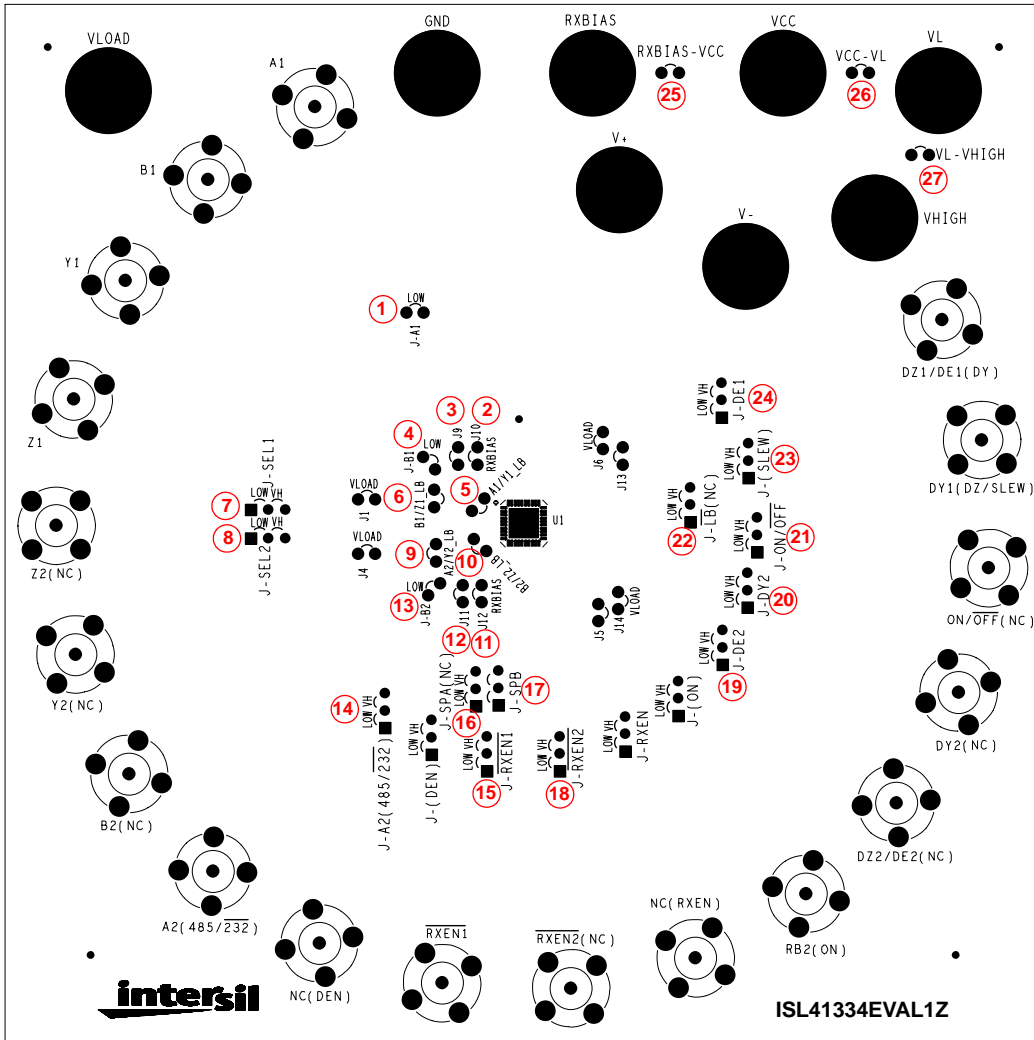


FIGURE 3. JUMPER LOCATOR DIAGRAM

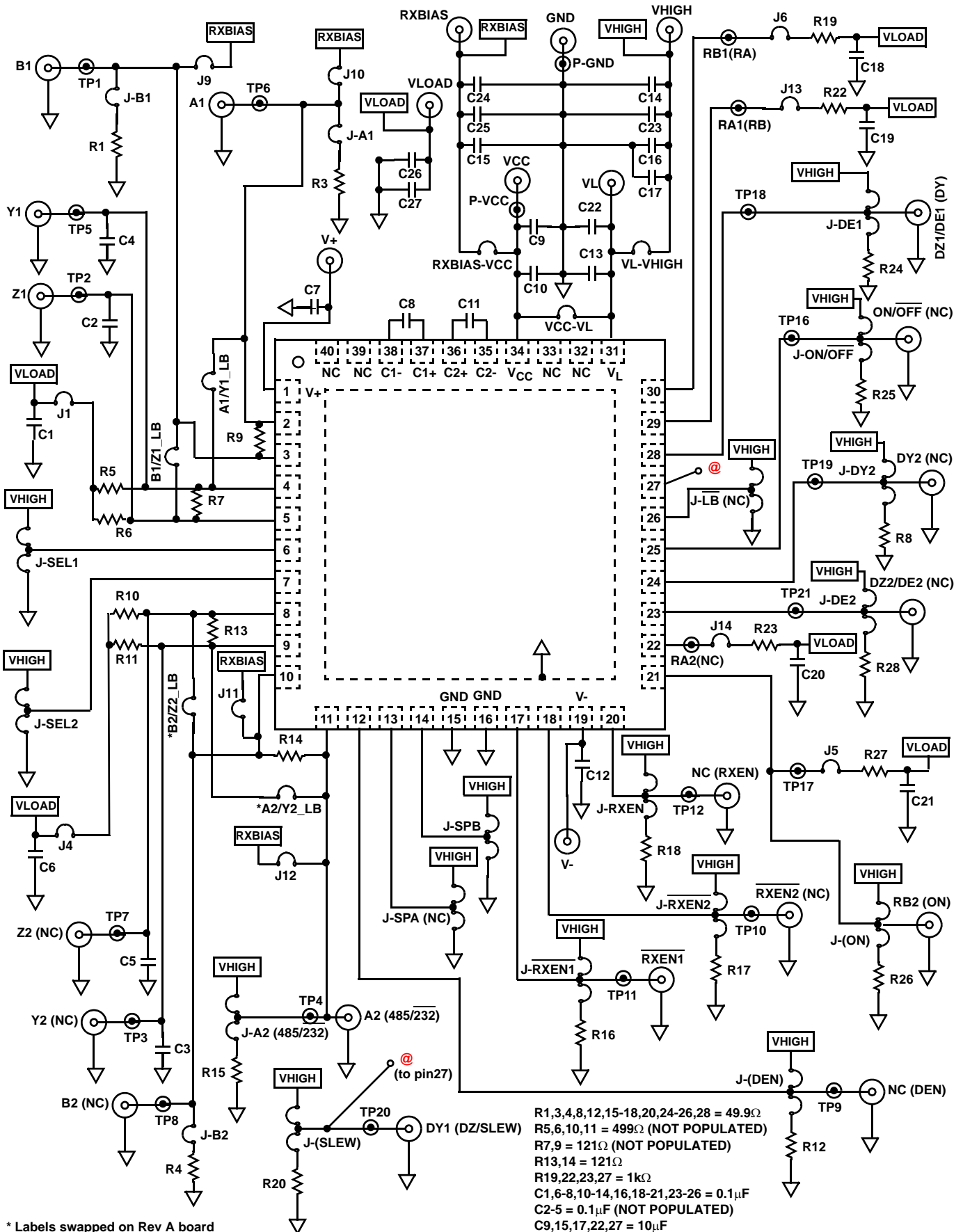
All Intersil U.S. products are manufactured, assembled and tested utilizing ISO9000 quality systems. Intersil Corporation's quality certifications can be viewed at [www.intersil.com/design/quality](http://www.intersil.com/design/quality)

*Intersil products are sold by description only. Intersil Corporation reserves the right to make changes in circuit design, software and/or specifications at any time without notice. Accordingly, the reader is cautioned to verify that data sheets are current before placing orders. Information furnished by Intersil is believed to be accurate and reliable. However, no responsibility is assumed by Intersil or its subsidiaries for its use; nor for any infringements of patents or other rights of third parties which may result from its use. No license is granted by implication or otherwise under any patent or patent rights of Intersil or its subsidiaries.*

For information regarding Intersil Corporation and its products, see [www.intersil.com](http://www.intersil.com)



# Application Note 1259



\* Labels swapped on Rev A board