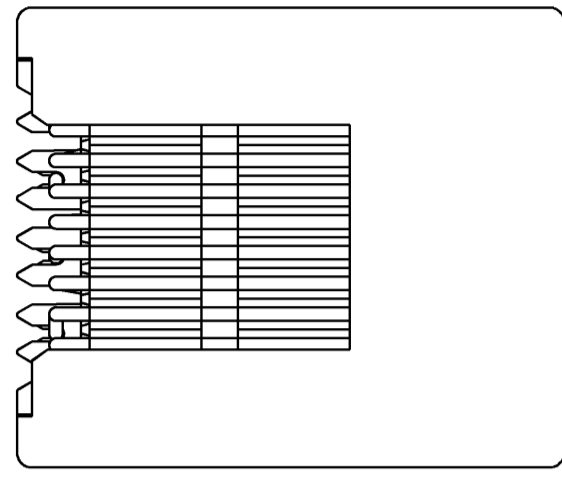
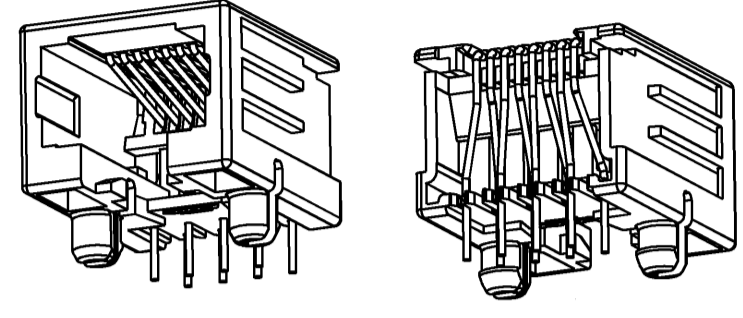


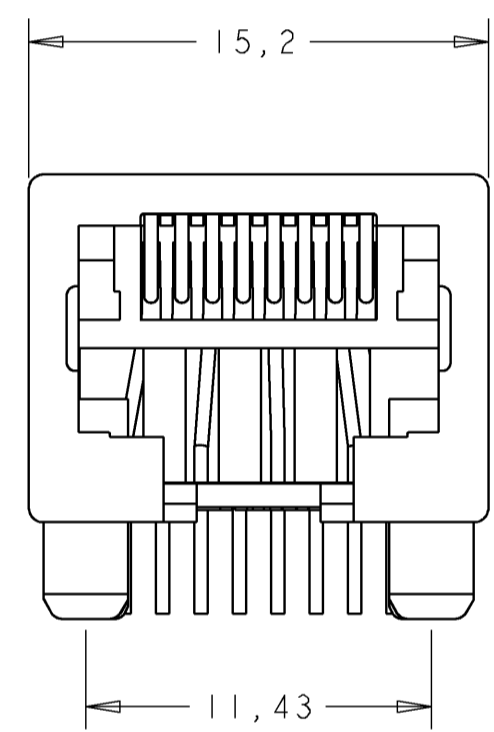
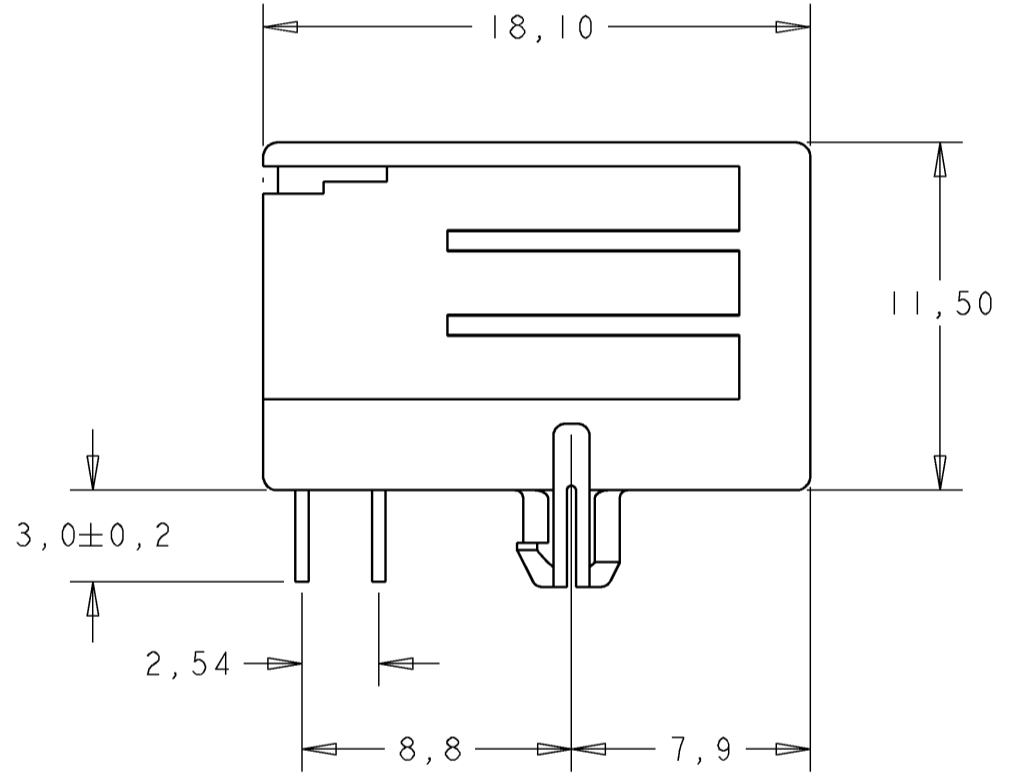
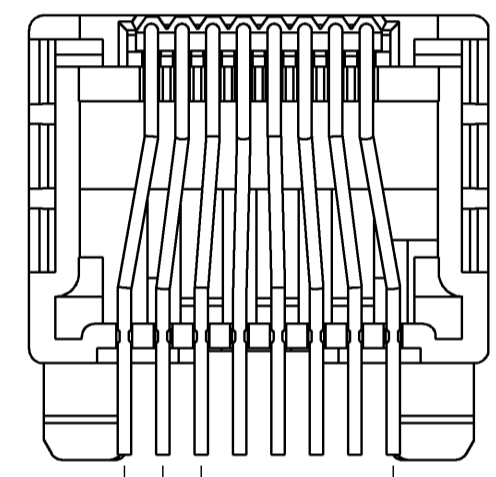
THIS DRAWING IS UNPUBLISHED. RELEASED FOR PUBLICATION  
 © COPYRIGHT - BY TYCO ELECTRONICS CORPORATION. ALL RIGHTS RESERVED.

LOC	DIST	REVISIONS			
P	LTR	DESCRIPTION	DATE	DWN	APVD
FK	-	A	NEW RELEASE	23OCT09	PS PCH

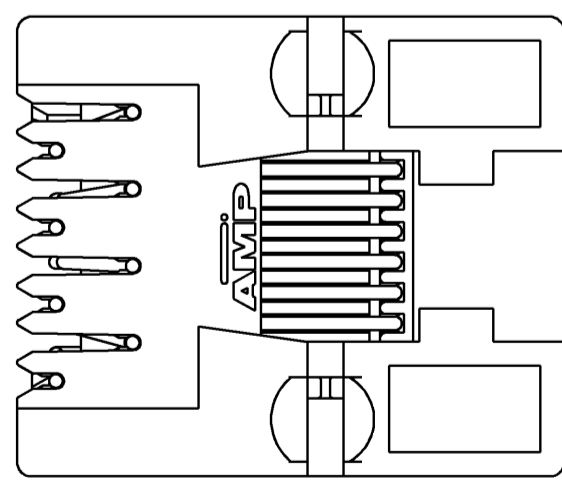
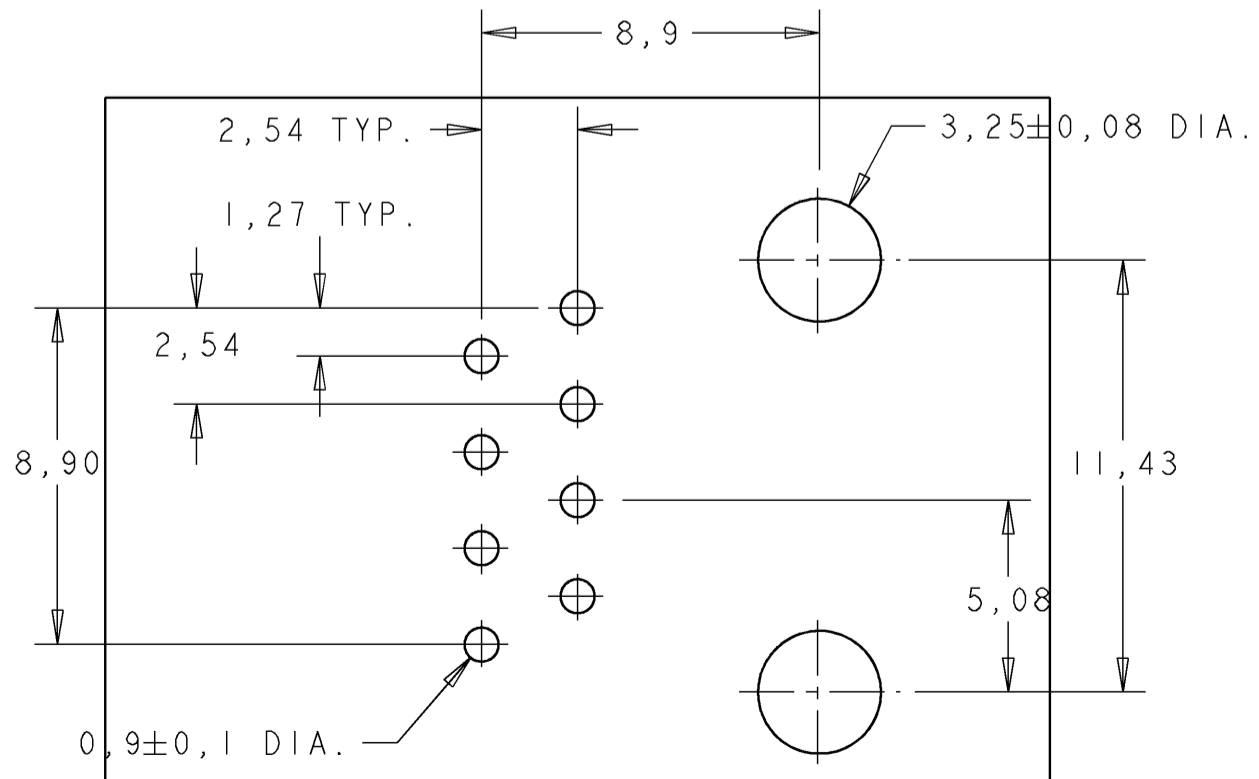


NOTES:

1 TOLERANCE UNLESS OTHERWISE SPECIFIED: ±0,15.



2,54  
1,27 TYP.  
8,9



PRINTED CIRCUIT BOARD LAYOUT

[VIEW SHOWN IS CIRCUIT (NONCOMPONENT) SIDE OF BOARD.]  
 PRINTED CIRCUIT BOARD THICKNESS: 1,6 mm NOMINAL.  
 TOLERANCE UNLESS OTHERWISE SPECIFIED: ±0,05

THIS DRAWING IS A CONTROLLED DOCUMENT FOR TYCO ELECTRONICS CORPORATION IT IS SUBJECT TO CHANGE AND THE CONTROLLING ENGINEERING ORGANIZATION SHOULD BE CONTACTED FOR THE LATEST REVISION.		DWN Praduth 23OCT09 CHK Premjith C H 23OCT09 APVD Premjith C H 23OCT09	Tyco Electronics Corporation Bangalore, INDIA		
DIMENSIONS: mm	TOLERANCES UNLESS OTHERWISE SPECIFIED: 0 PLC ± 1 PLC ± 2 PLC ± 3 PLC ± 4 PLC ± ANGLES ± FINISH ±	DWN 23OCT09 CHK Premjith C H 23OCT09 APVD Premjith C H 23OCT09 PRODUCT SPEC 108-19064 APPLICATION SPEC 114-19019 WEIGHT -	IN CONTACT AREA: 0,76µm MIN. SEL. GOLD OVER 1,2µm MIN. NICKEL. SOLDER TINES: 2,5µm MIN. TIN OVER 1,2µm MIN. NICKEL.	HOUSING COLOR: BLACK PBT: UL 94V-0 CONTACT INSERT: PBT, UL 94V-0 CONTACTS: PH BRONZE	1955461-1
MATERIAL		PACKAGING 200 PIECES IN A TRAY REMARKS 8 POS. / 8 CONTACTS FINISH MATERIAL ORDER NUMBER			
		NAME MODULAR JACK, 8 POS SIDE ENTRY FOR PRINTED CIRCUIT BOARD GOLD 0.76µm SIZE A2 CAGE CODE 00779 DRAWING NO. 1955461 RESTRICTED TO -			
		CUSTOMER DRAWING	SCALE 4:1	SHEET 1 OF 1	REV A