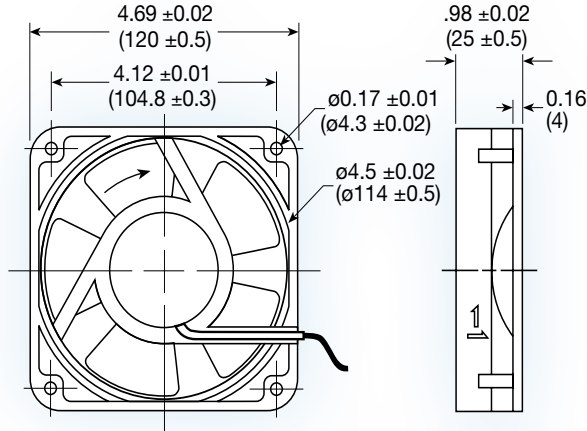


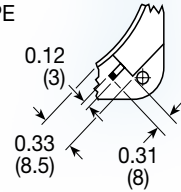
UF12B series



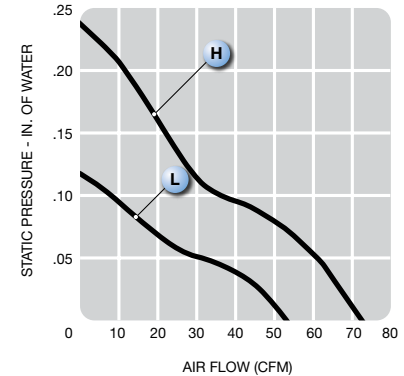
(120 x 120 x 25 mm)
4.69 x 4.69 x 0.98 inches



LEAD WIRE TYPE



TERMINAL TYPE



Operating voltage:	115 or 230 VAC
Construction:	aluminum die cast frame; UL94V-0 PBT impeller
Bearing option:	ball bearing or sintered bronze sleeve
Motor:	shaded pole
Air Flow:	exhaust over struts
Connection:	terminal or 22 AWG lead wire
Protection:	impedance
Options:	dual voltage 115/130VAC IP55; IP55 + salt fog

Model No.	Rated Voltage V	Freq. HZ	Input Power W	Rated Cur. A	Locked Cur. A	Speed RPM	Air Volume		Max. Static Pressure (H ₂ O)		Sound Noise dB A	Weight oz
							M ³ /Min.	CFM	MM	INCH		
UF12B12__H	115	60	11	0.12	0.15	2,900	2.1	75	6.0	0.24	42	11.6
UF12B23__H	230	60	14	0.07	0.08	2,900	2.1	75	6.0	0.24	42	11.6
UF12B12__L	115	60	11	0.11	0.12	2,000	1.5	53	2.9	0.11	33	11.6
UF12B23__L	230	60	14	0.06	0.07	2,000	1.5	53	2.9	0.11	33	11.6

