

4

3

2

1

THIS DRAWING IS UNPUBLISHED.

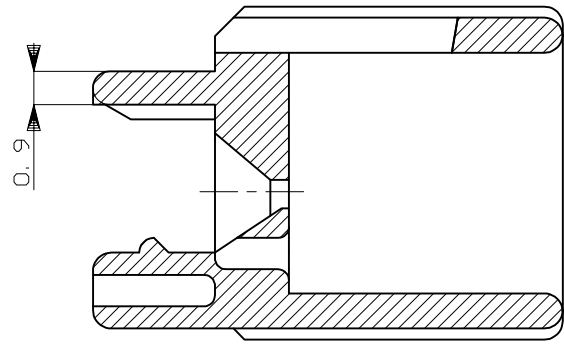
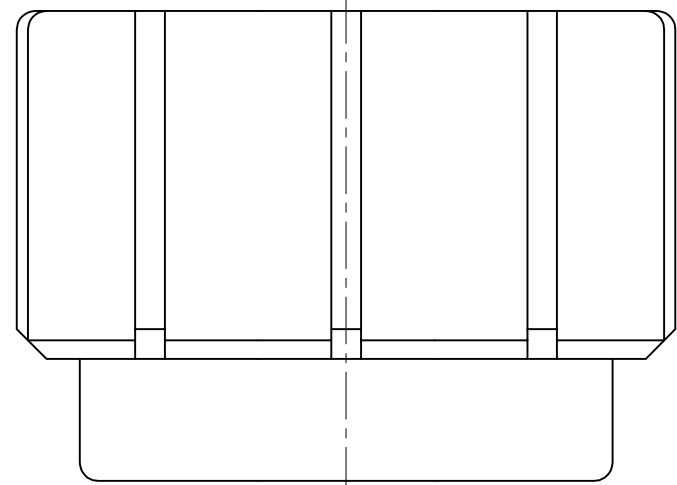
RELEASED FOR PUBLICATION

--

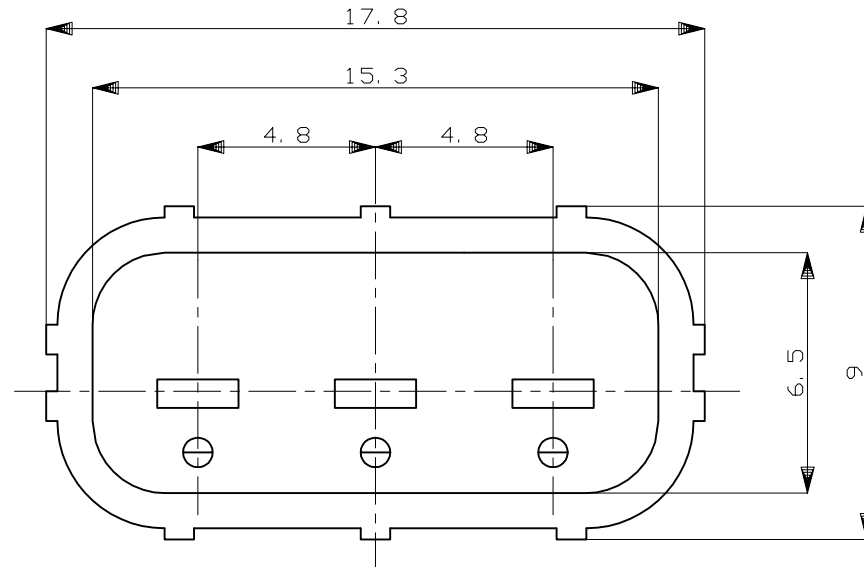
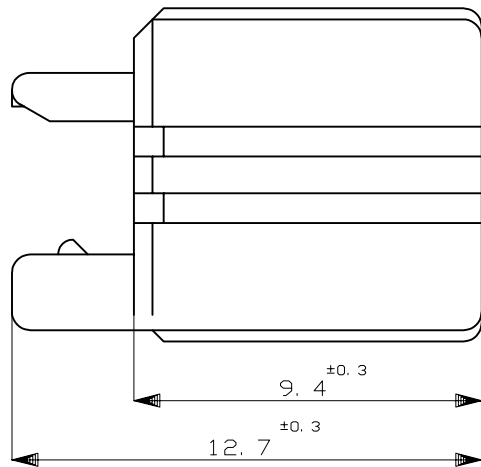
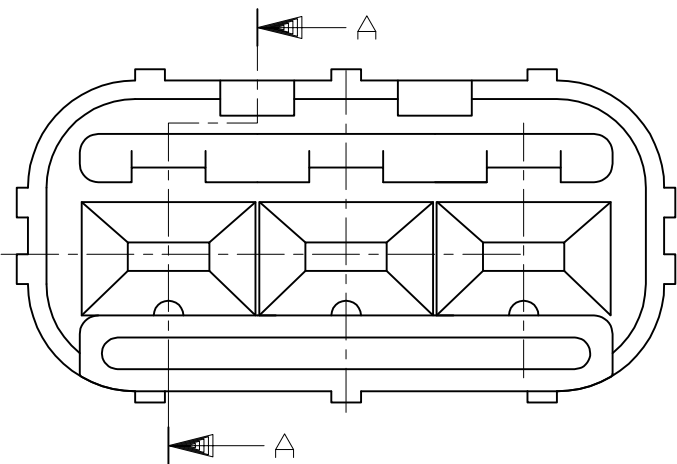
© COPYRIGHT - By -

ALL RIGHTS RESERVED.

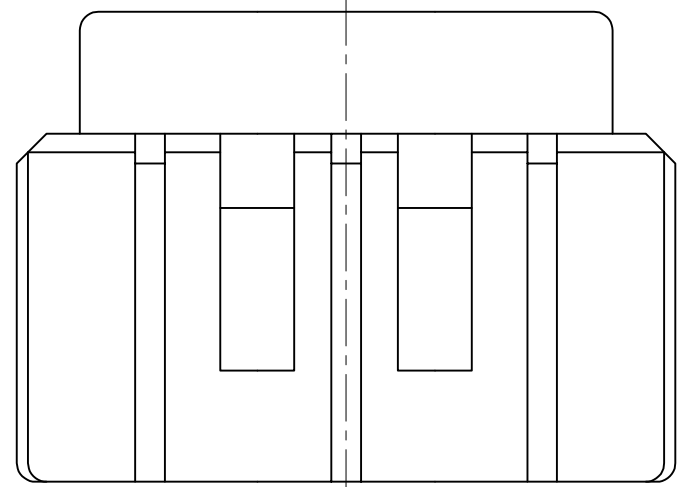
LOC	DIST	REVISIONS					
		P	LTR	DESCRIPTION	DATE	DWN	APVD
J	-	C1	REVISED	ECR-15-000191	08JAN2014	TS	KB




SECTION 断面 A-A



- 1. 本品は、キャップハウジング型番174359に装着される。
- 1. TO BE MATED WITH CAP HOUSING (PN:174359)



HB	自然色 (NATURAL)	1-174360-1
V-2	黄 (YELLOW)	174360-7
使用材料難燃グレード (FLAMMABILITY OF MATERIAL)	色 (COLOR)	型番 (PART NUMBER)

THIS DRAWING IS A CONTROLLED DOCUMENT.		DWN	K.ODA	8/19'87	 TE Connectivity		
DIMENSIONS: mm		CHK	Y.MATSUSAKA	8/24'87			
TOLERANCES UNLESS OTHERWISE SPECIFIED:		APVD	M.NOBUCHI	8/25'87			
0 PLC ±- 1 PLC ±- 2 PLC ±- 3 PLC ±- 4 PLC ±- ANGLES ±-		PRODUCT SPEC	108-5262				
MATERIAL		APPLICATION SPEC	-		NAME	3P. ECONOSEAL J-MARKII+ CONNECTOR DOUBLE LOCK PLATE FOR CAP HOUSING	
PBT		FINISH	-		SIZE	A3	
GENERAL TOLERANCE		WEIGHT		-		CAGE CODE	00779
0 < * ≤ 10 : ±0.2	CUSTOMER DRAWING		SCALE		5:1	DRAWING NO	C=174360
10 < * ≤ 30 : ±0.25	RESTRICTED TO		SHEET		1 of 1	REV	C1
30 < * ≤ 100 : ±0.3							
ANGLES : ±3°							