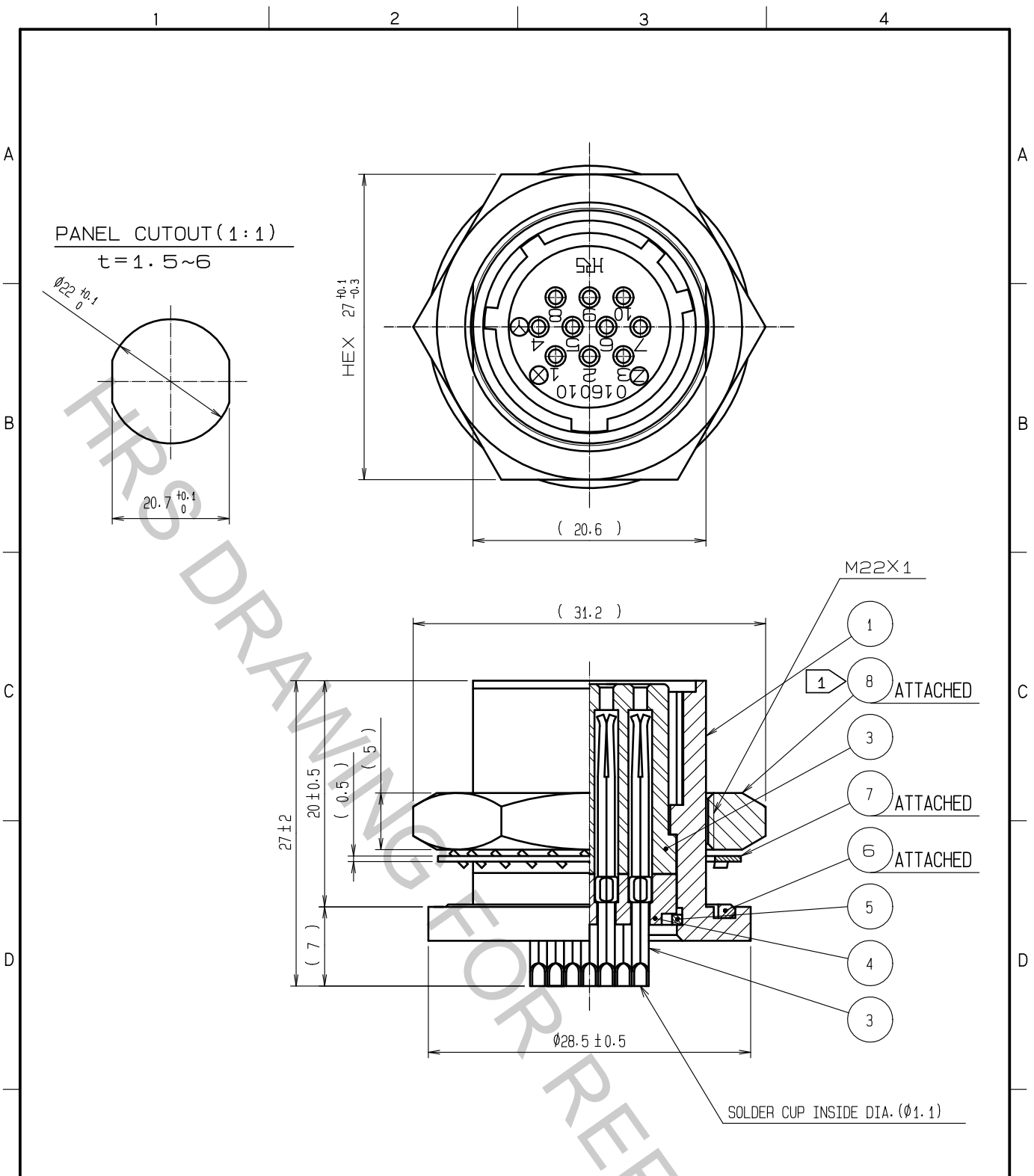


Aug.1.2018 Copyright 2018 HIROSE ELECTRIC CO., LTD. All Rights Reserved.  
 In case that the application demands a high level of reliability, such as automotive,  
 please contact a company representative for further information.



① THE RECOMMENDED CLAMP TRQUE OF REF. ⑧ TO BE 3 TO 3.5N·m

4	PHENOL FORMALDEHYDE	(BLACK) UL94V-0	8	BRASS	BLACK CHROME PLATING
3	PHENOL FORMALDEHYDE	(BLACK) UL94V-0	7	PHOSPHOR BRONZE	BLACK CHROME PLATING
2	COPPER ALLOY	SILVER PLATING 2#m min	6	NBR	(BLACK)
1	ALUMINUM ALLOY	BLACK CHROME PLATING	5	PHOSPHOR BRONZE	NICKEL PLATING
NO.	MATERIAL	FINISH , REMARKS	NO.	MATERIAL	FINISH , REMARKS

UNITS mm		SCALE 2 : 1	COUNT 	DESCRIPTION OF REVISIONS	DESIGNED	CHECKED	DATE
-------------	--	----------------	-----------	--------------------------	----------	---------	------

<b>HRS</b> HIROSE ELECTRIC CO., LTD.	APPROVED :HY. KOBAYASHI	18. 03. 12	DRAWING NO.	EDC-110721-31-00
	CHECKED :HY. KOBAYASHI	18. 03. 12	PART NO.	JR16WRA-10S(31)
	DESIGNED :TH. KAMEYA	18. 03. 09	CODE NO.	CL114-2145-5-31
	DRAWN :TH. KAMEYA	18. 03. 09		1/1