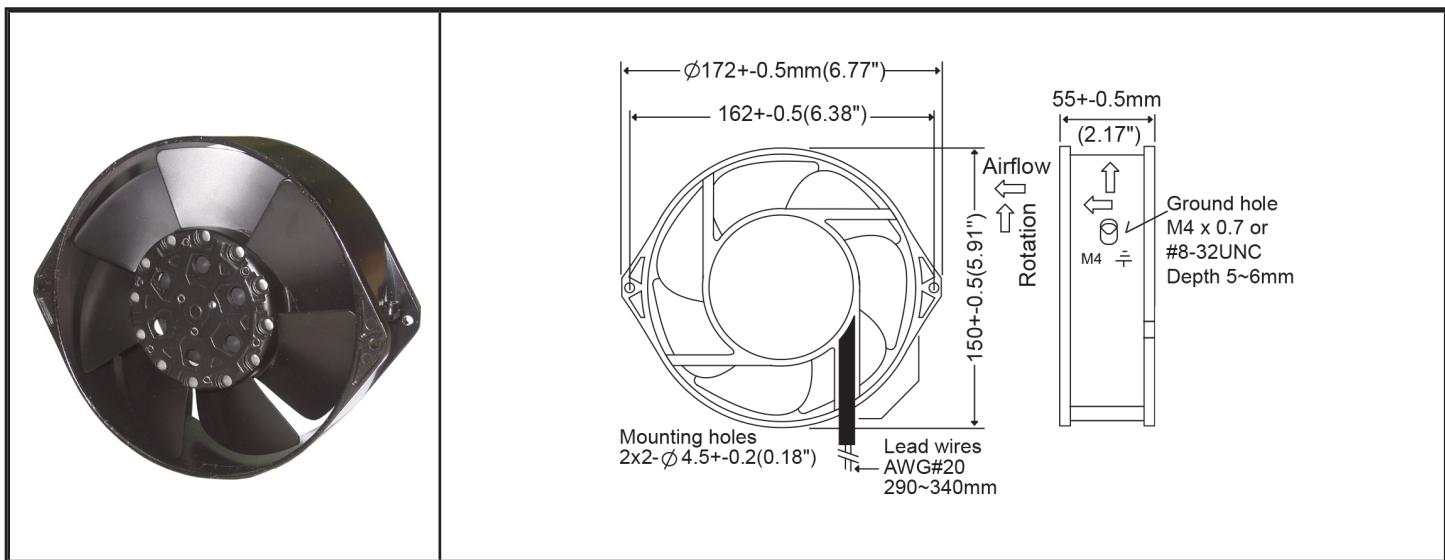


OA162AP Metal Series



AC - Harsh Environment
172 x 55mm (6.7" x 2.17")



Frame	Aluminum Die-cast	Notes	
Impeller	Metal alloy	Date: 050113	
Connection	2x Lead wires	Environmental Protection: IP55	
Motor	AC Shaded pole, Thermal protection	Storage Temp: -40C ~ +100C	
Bearing System	Dual Ball bearing	Weight: 1200g (2.7 lbs)	
Insulation Resistance	>100MOhm at 500VDC	Available AC voltages by special order: 12, 24, 28, 38, 42, 48, 440, 480. Dual speed also available. Call for information.	
Dielectric Strength	> 60 seconds at 1500VAC		
Operating Temp Range	-30C ~ +80C (non-condensing)		
Life Expectancy	50000 hours (55C)		

Model No.	Speed (RPM)	Airflow (CFM)	Noise	Volts AC	Voltage Range AC	Watts	Max. Static Pressure ("H ₂ O)	Curves
OA162AP-11-1WB 1855	2750 3200	183 210	54	115	100 ~ 120	47 42	0.49 0.42	2 (50Hz)
								1 (60Hz)
OA162AP-11-2WB 1855	2400 2500	160 165	46	115	100 ~ 120	35 32	0.42 0.35	4 (50Hz)
								3 (60Hz)
OA162AP-11-3WB 1855	1500 1600	100 110	35	115	100 ~ 120	23 20	0.28 0.22	6 (50Hz)
								5 (60Hz)
OA162AP-22-1WB 1855	2750 3200	183 210	54	230	200 ~ 240	47 42	0.49 0.42	2 (50Hz)
								1 (60Hz)
OA162AP-22-2WB 1855	2400 2500	160 165	46	230	200 ~ 240	35 32	0.42 0.35	4 (50Hz)
								3 (60Hz)
OA162AP-22-3WB 1855	1500 1600	100 110	35	230	200 ~ 240	23 20	0.28 0.22	6 (50Hz)
								5 (60Hz)