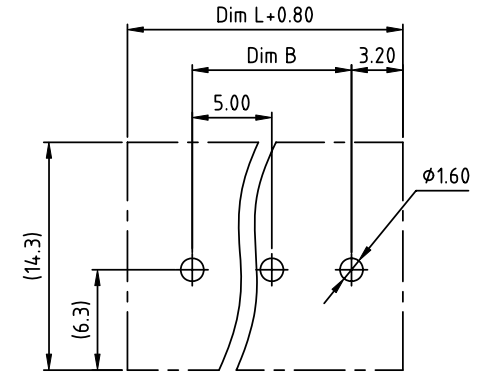
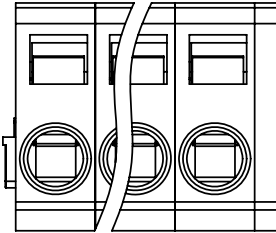
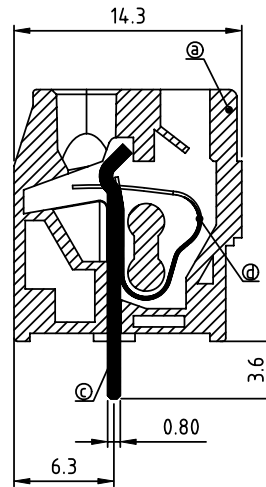
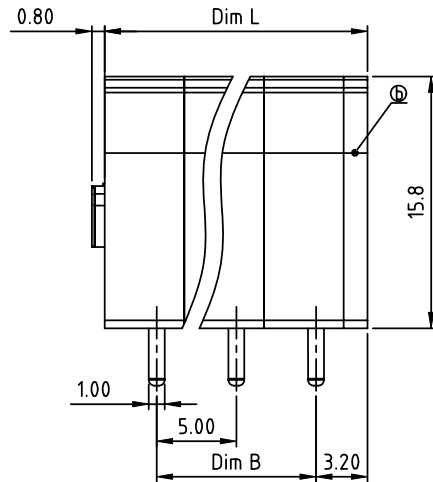


PRODUCT NUMBER	PITCH
HMxx70x000J0G	5.00mm



RECOMMENDED P.C.B LAYOUT
TOP VIEW



Material:

- Item① Insulator body: Thermoplastic (UL94V-0)
- Item② Insulating cover :Thermoplastic (UL94V-0)
- Item③ Solder pin: Brass.Tin plated
- Item④ Wire guard: Stainless steel

Electrical:

- Voltage rating: 250V
- Current rating: 8A
- Wire range:
- Solid wire(AWG): 12-28
- Stranded wire(AWG): 12-28
- Wire strip length: 8-9mm
- Withstanding Voltage: 1.5KV
- Operating temperature: -40°C to +115°C
- Soldering temperature: 260°C±5°C/5 Sec
- Safety Approval:

N=Number of poles
Dim L=N×5.00+1.5
Dim B=(N-1)×5.00

Poles	Dim L	Dim B
1p	±0.15	
2-6p	±0.20	±0.15
7-12p	±0.30	±0.25
13-18p	±0.40	±0.35
19-24p	±0.45	±0.40

PART NO.: HM xx 70 x 000J0 G

	No. of poles	Color	RoHS compliant
	0	Black (RAL9005)	(lead<4%)
End Stackable	2	Red (RAL3001/D)	In copper Alloy
01	1 poles	3 Orange(RAL2011/P)	
02	2 poles	4 Yellow(RAL1018/A)	
...	...	5 Green(RAL6018/T)	
24	24 poles	6 Blue (RAL5015/A)	
		8 Grey(RAL7004/P)	
		9 White(RAL1102)	
		C Multiple colors	

mat'l. code				surface ASME Y14.5		tolerance ASME Y14.5		projection		product family	
ltr ecn no dr date				tolerances unless otherwise specified		X.±0.5				TERMINAL BLOCK	
				angles		X.X±0.3		MM		title	
				X*±1°		X.XX±0.1		scale		TERMINAL BLOCK	
				dr		EVIN ZHONG 052914		FCI		SPRING CLAMP,90D WIRE INLET,DIP SOLDER	
				enrg		EVIN ZHONG 052914		dwg no		sheet 1 of 1 size	
				chr		HANKE FENG 052914		HMxx70x000J0G		A4	
				appd		SHI JUN 052914		type		CUSTOMER Drawing	
sheet index	revision	A									
	sheet	1									