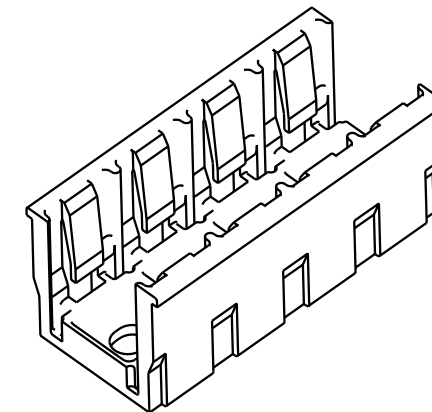
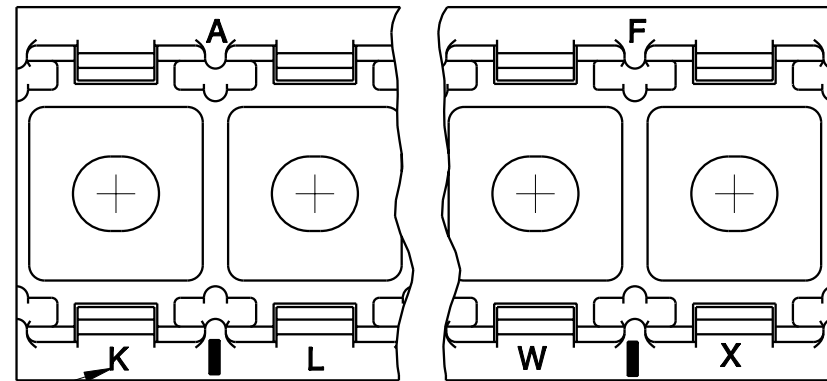


SJTC02000

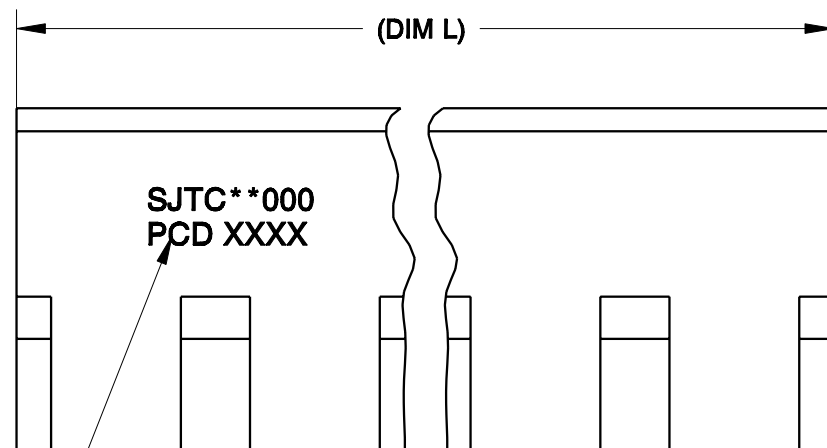
| REV | ECN | DESCRIPTION | APP'D |
|-----|------|-----------------------|-----------|
| - | 4371 | RELEASE | JT 4-3-01 |
| A | 4469 | ADDED 13 THRU 20 POS. | |



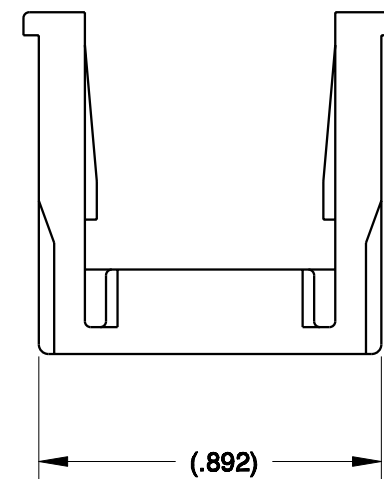
4 POSITION SHOWN



THIS ROW ALWAYS STARTS WITH "K" AW-1001



MARKING (CENTERED ON PART)
.060 HIGH CHARACTERS
PCD PART NO.
"PCD" DATE CODE
(** POS-PER TABLE)



| PART NO. | COMPONENT P/N | POS ** | DIM L. |
|-----------|---------------|--------|--------|
| SJTC02000 | 330600002 | 02 | 1.036 |
| SJTC03000 | 330600003 | 03 | 1.554 |
| SJTC04000 | 330600004 | 04 | 2.072 |
| SJTC05000 | 330600005 | 05 | 2.590 |
| SJTC06000 | 330600006 | 06 | 3.108 |
| SJTC07000 | 330600007 | 07 | 3.626 |
| SJTC08000 | 330600008 | 08 | 4.144 |
| SJTC09000 | 330600009 | 09 | 4.662 |
| SJTC10000 | 330600010 | 10 | 5.180 |
| SJTC11000 | 330600011 | 11 | 5.698 |
| SJTC12000 | 330600012 | 12 | 6.216 |
| SJTC13000 | 330600013 | 13 | 6.734 |
| SJTC14000 | 330600014 | 14 | 7.252 |
| SJTC15000 | 330600015 | 15 | 7.770 |
| SJTC16000 | 330600016 | 16 | 8.288 |
| SJTC17000 | 330600017 | 17 | 8.806 |
| SJTC18000 | 330600018 | 18 | 9.324 |
| SJTC19000 | 330600019 | 19 | 9.842 |
| SJTC20000 | 330600020 | 20 | 10.360 |

| | | | | | | | |
|---|--|-----------------------|---|--|-------------|---|-----------------------------|
| DIMENSIONS ANSI Y14.5M UNITS: INCHES Pro/E FILE | TOLERANCES .XX ±0.01 .XXX ±0.005 ANGLES ±10° | PROJECTION | REFERENCE SPECIFICATION ENGR A. PATRIE 13-Nov-00 | | | TITLE MOUNTING TRACK, SJM COMPOSITE ALPHA MARKING | |
| | | | ORIGINAL NOT FOR CUSTOMER DISTRIBUTION | THIS DOCUMENT CONTAINS PROPRIETARY INFORMATION WHICH IS THE CONFIDENTIAL PROPERTY OF PCD, INC. PEABODY, MA, USA | | SIZE B | DWG NO. SJTC02000 |
| | | | CHKD J. TON 4-3-01 | APPD J. TON 4-3-01 | CODE: 58982 | SCALE: 2:1 | SHEET 1 OF 1 |

SJTC02000

SJTC02000