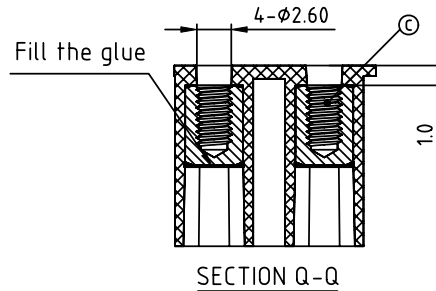
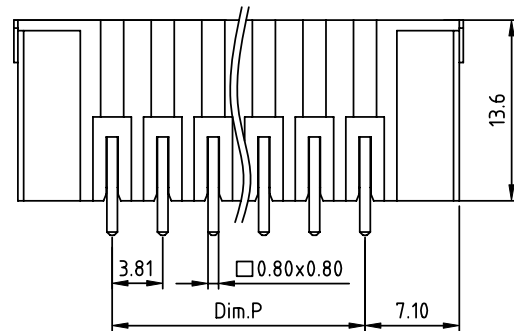
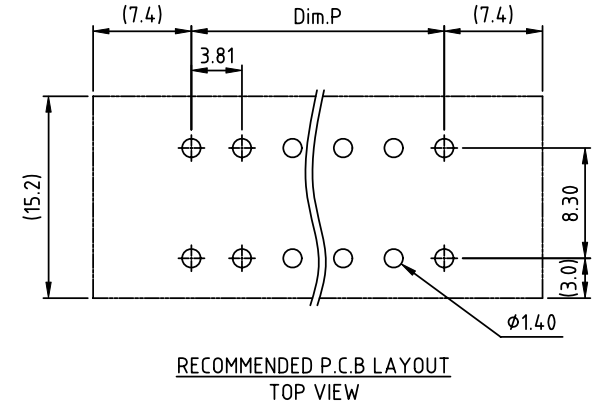
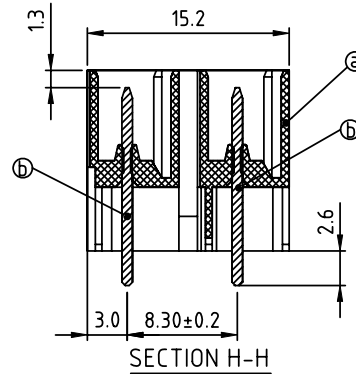
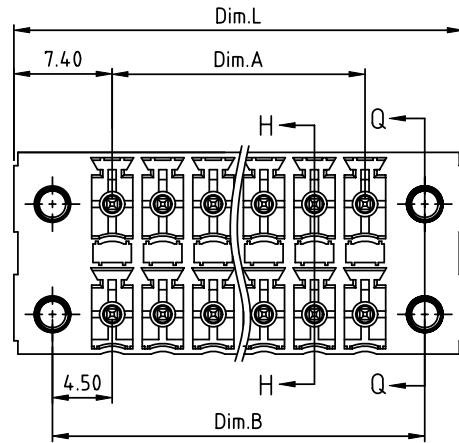


PRODUCT NUMBER	PITCH
KExx32x0A0J0G	3.81 mm



Material:

- Item ① Terminal housing: Thermoplastic (UL94V-0)
- Item ② Pin: Copper Tin plated
- Item ③ With flange nut: Brass M2.5

Electrical:

- Voltage rating: 300V
- Current rating: 5.5A
- Withstanding Voltage: 1.6 KV
- Operating temperature: -40°C to +115°C
- Soldering temperature: 260°C ±5°C/5 Sec
- Safety Approval:

DIMENSION

Dim.L	(N/2-1) × 3.81+14.8
Dim.P	(N/2-1) × 3.81
Dim.A	(N/2-1) × 3.81
Dim.B	(N/2-1) × 3.81+9.0

N=Number of poles

poles	Dim.L	Dim.P	Dim.A	Dim.B
2×2P-2×5P	±0.20	±0.15	±0.15	±0.15
2×6P-2×16P	±0.30	±0.25	±0.25	±0.25
2×17P-2×24P	±0.40	±0.30	±0.30	±0.30

PART NO.: KE xx 3 2 x 0 A0J0 G

Solid block	0	Black (RAL9005)	RoHS compliant (lead<4%) in copper Alloy
No. of poles	2	Red (RAL3001/D)	
04 2x2poles	3	Orange(RAL2011/P)	
06 2x3poles	4	Yellow(RAL1018/A)	
... ..	5	Green(RAL6018/T)	
48 2x24poles	6	Blue (RAL5015/A)	
	8	Grey(RAL7035/D)	
	9	White(RAL1102)	
	C	Green(RAL6018/U)	

mat'l. code	surface ASME Y14.5	tolerance ASME Y14.5	projection 	product family TERMINAL BLOCK
ltr	ecn	no	dr	date
tolerances unless otherwise specified			title TERMINAL BLOCK	
angles	0	X.±0.5	PLUGGABLE SOCKET, VERTICAL, WITH FLANGE	
0	1	X.X±0.3	scale MM	
X°±1°	1	X.XX±0.1	dwg no KExx32x0A0J0G	
dr	EVIN ZHONG	042414	sheet 1 of 1 size A4	
enr	EVIN ZHONG	042414	type CUSTOMER Drawing	
chr	HANKE FENG	042414		
appd	SHI JUN	042414		
sheet index	revision	A		
	sheet	1		