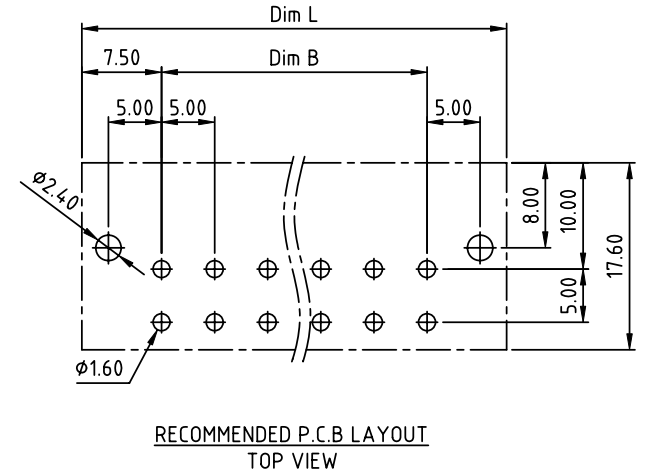
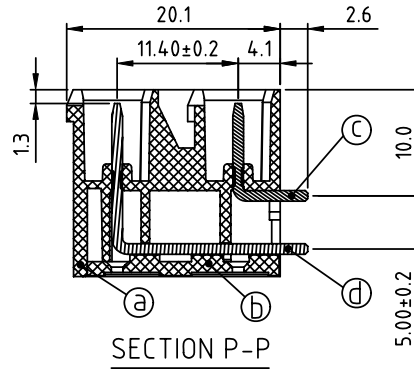
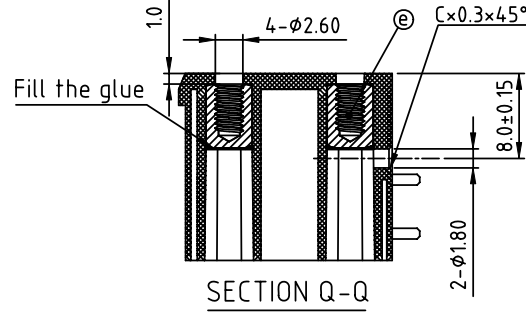
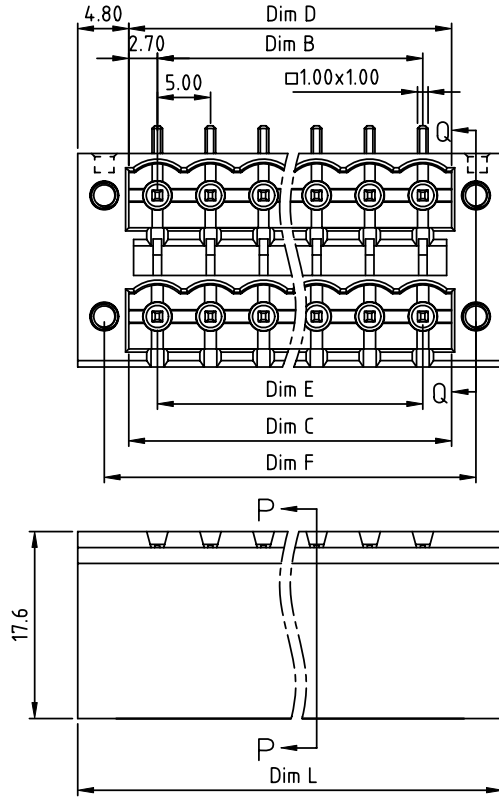


PRODUCT NUMBER	PITCH
KExx72x300J0G	5.00 mm



- Material:
- Item ① Terminal(housing): Thermoplastic (UL94V-0)
  - Item ② Terminal(cover): Thermoplastic (UL94V-0)
  - Item ③ Short pin: Copper Tin plated
  - Item ④ Long pin: Copper Tin plated
  - Item ⑤ With flange nut: Brass M2.5
- Electrical: cULus
- Voltage rating: 300V
  - Current rating: 12A
  - Withstanding Voltage: 1.6KV
  - Operating temperature: -40°C to +115°C
  - Soldering temperature: 260°C±5°C/5 Sec
  - Safety Approval: cULus

N = Number of poles  
 Dim L=(N/2+2)×5.0    Dim D=(N/2-1)×5.0+5.4  
 Dim B=(N/2-1)×5.0    Dim E=(N/2-1)×5.0  
 Dim C=(N/2-1)×5.0+5.4    Dim F=(N/2-1)×5.0+10.0

Poles	Dim L	Dim B	Dim C	Dim D	Dim E	Dim F
2×2P-2×6P	±0.15	±0.15	+0.05 -0.05	+0.05 -0.05	±0.15	±0.15
2×7P-2×12P	±0.25	±0.25	+0.10 -0.05	+0.10 -0.05	±0.25	±0.25
2×13P-2×18P	±0.35	±0.35	+0.20 -0.05	+0.20 -0.05	±0.35	±0.35
2×19P-2×24P	±0.40	±0.40	+0.25 -0.10	+0.25 -0.10	±0.40	±0.40

PART NO.: KE xx 7 2 x 3 00J0 G

Solid block	0	Black (RAL9005)	RoHS compliant (lead<4%) In copper Alloy
No. of poles	2	Red (RAL3001/D)	
04 2x2poles	3	Orange(RAL2011/P)	
06 2x3poles	4	Yellow(RAL1018/A)	
...	5	Green(RAL6018/T)	
48 2x24poles	6	Blue (RAL5015/A)	
	8	Grey(RAL7035/D)	
	9	White(RAL1102)	
	C	Green(RAL6018/U)	

mat'l. code				surface ASME Y14.5	tolerance ASME Y14.5	projection	product family TERMINAL BLOCK
ltr	ecn	no	dr	tolerances unless otherwise specified		MM	title TERMINAL BLOCK PLUGGABLE SOCKET,RIGHT ANGLE,WITH FLANGE
				angles	X.±0.5		
				parallelism	X.X±0.3	scale	dwg no KExx72x300J0G
				perpendicularity	X.XX±0.1		
				dr	EVIN ZHONG 042414	FCI	sheet 1 of 1 size A4
				engr	EVIN ZHONG 042414		
				chr	HANKE FENG 042414		
				appd	SHI JUN 042414		
sheet index	revision	A		type CUSTOMER Drawing			