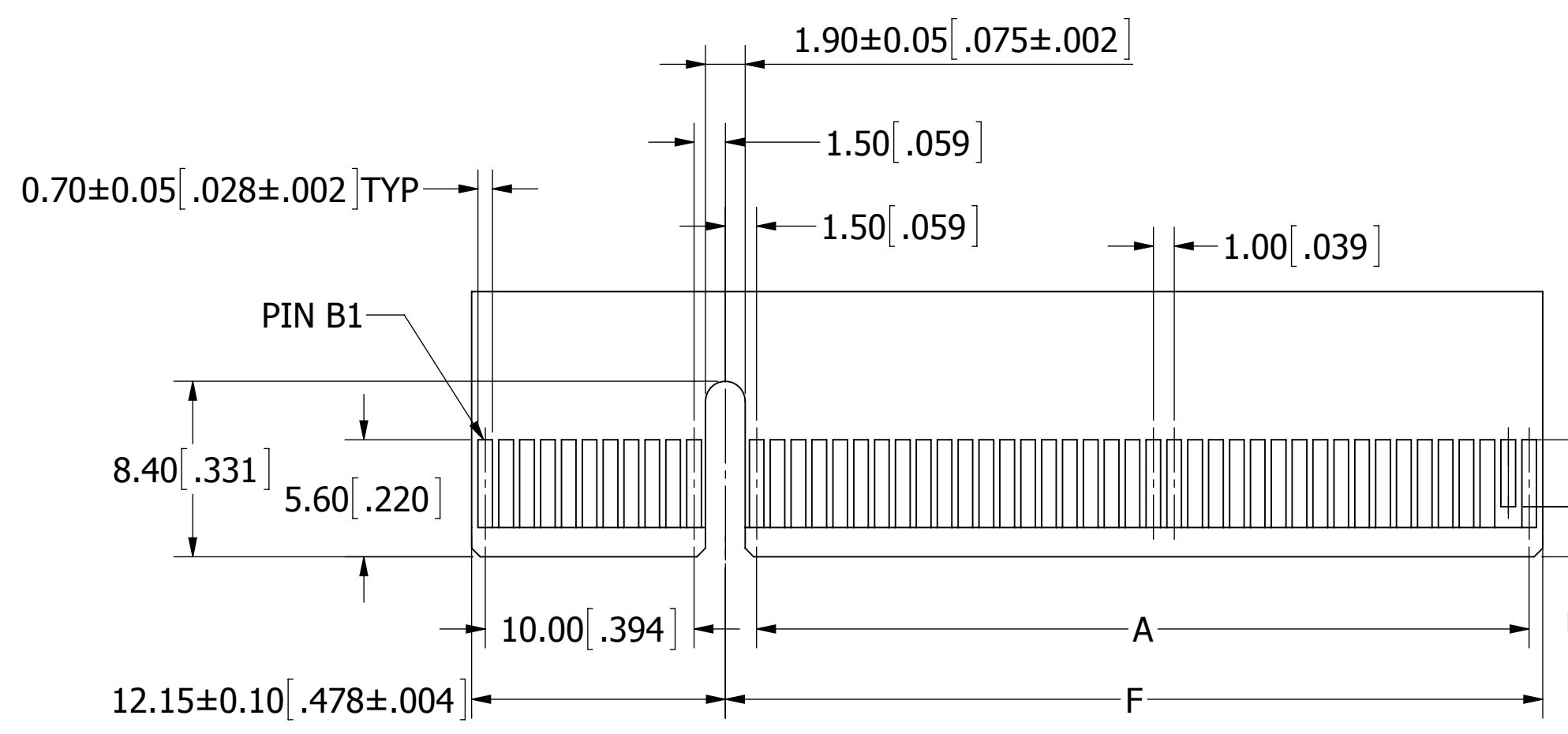
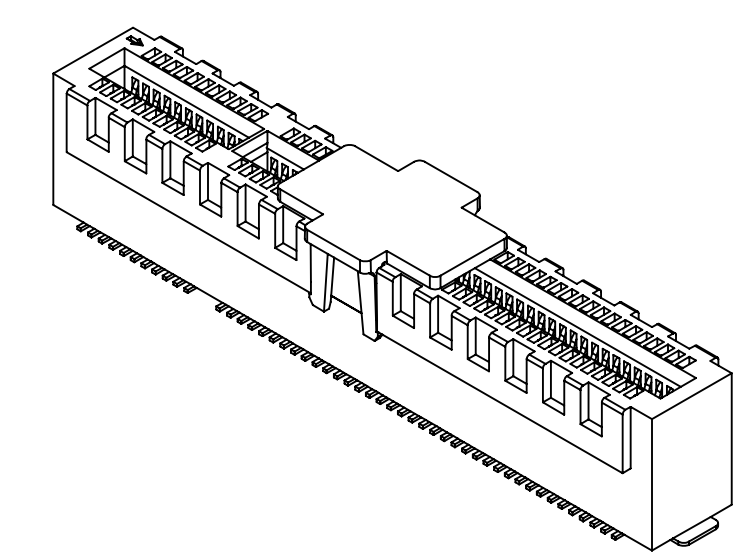
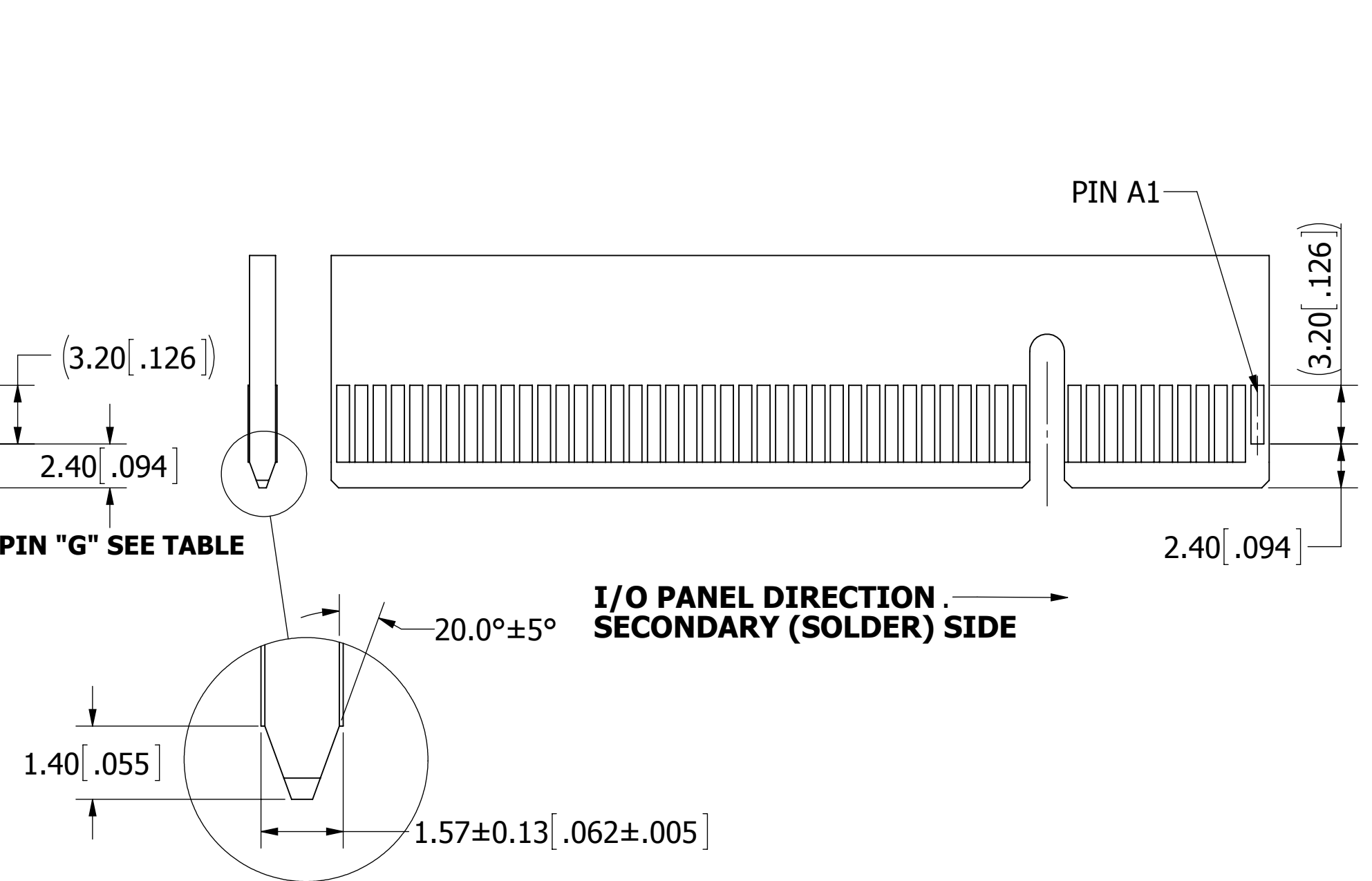


RECOMMENDED PCB LAYOUT



**I/O PANEL DIRECTION
PRIMARY (COMPONENT) SIDE**



**I/O PANEL DIRECTION
SECONDARY (SOLDER) SIDE**

**DETAIL A
SCALE 10 : 1**

PART NUMBER	POSITIONS/ CONTACTS	A ± 0.13 [.005]		D ± 0.13 [.005]		F ± 0.10 [.004]		H ± 0.13 [.005]		PIN "G"
		MM	[INCH]	MM	[INCH]	MM	[INCH]	MM	[INCH]	
G_E18DHFN-T951	18/36	6.00	0.236	9.15	0.360	8.15	0.321	28.00	1.102	B17
G_E32DHFN-T951	32/64	20.00	0.787	23.15	0.911	22.15	0.872	42.00	1.654	B31
G_E49DHFN-T951	49/98	37.00	1.457	40.15	1.581	39.15	1.541	59.00	2.323	B48
G_E82DHFN-T951	82/164	70.00	2.756	73.15	2.880	72.15	2.841	92.00	3.622	B81



UNLESS OTHERWISE SPECIFIED:
DIMENSIONS ARE IN MM[INCHES]

TOLERANCES:
ANGULAR: ± 3'

DECIMALS
.X= ± 0.35 [.014]
.XX= ± 0.25 [.010]
.XXX= ± 0.08 [.0031]

DRAWN	DATE	NAME			
	02/05/09	JH			
<small>THE INFORMATION HEREIN CONTAINS PROPRIETARY INFORMATION OF SULLINS ELECTRONICS AND IS NOT TO BE REPRODUCED, USED OR DISCLOSED TO OTHERS FOR ANY PURPOSE EXCEPT AS SPECIFICALLY AUTHORIZED IN WRITING BY AN OFFICER OF SULLINS ELECTRONICS.</small>			TITLE PCI EXPRESS, 1mm CC, SMT		
			PART NUMBER G_E_DHFN-T951		
SIZE	CAGE CODE	DWG. NO.	REV		
C	54453	11205	C		
SCALE: 1:5			SHEET 2 OF 2		