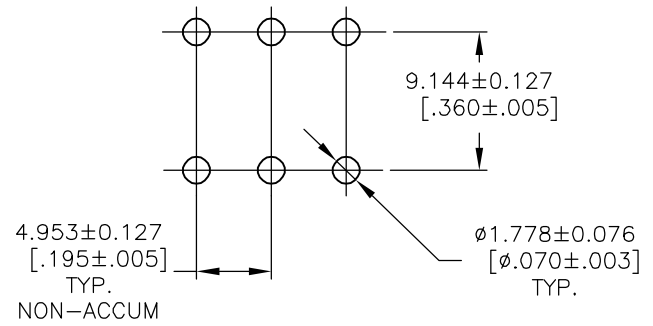
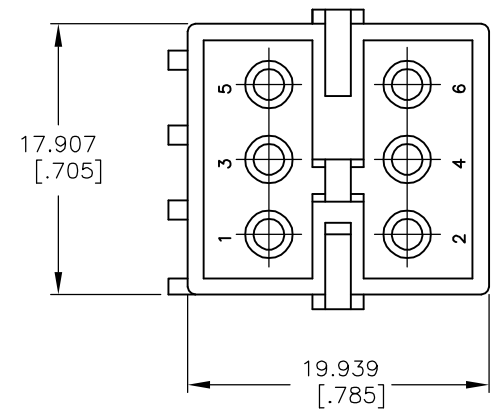
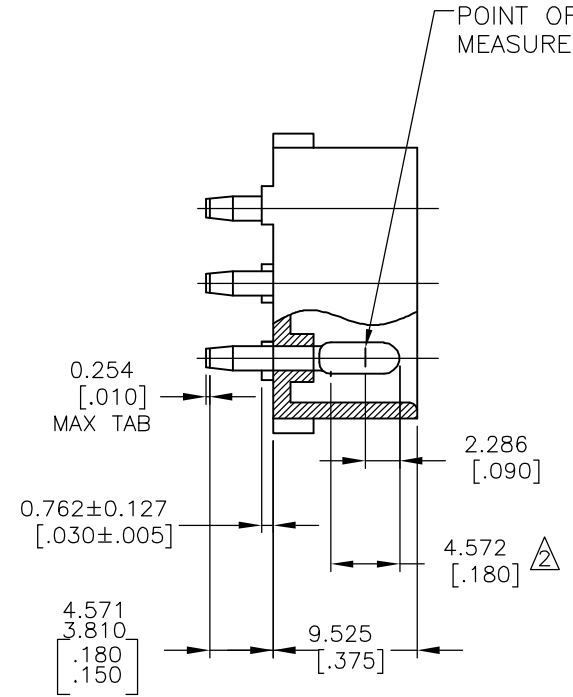
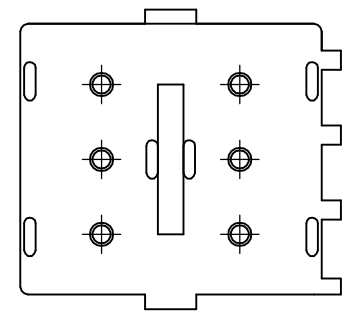


THIS DRAWING IS UNPUBLISHED. RELEASED FOR PUBLICATION
 © COPYRIGHT BY TYCO ELECTRONICS CORPORATION. ALL RIGHTS RESERVED.

LOC	DIST	REVISIONS			
P	LTR	DESCRIPTION	DATE	DWN	APVD
CM	00	0	RELEASED PER 0G3B-1134-04	11OCT05	HMR DC

- PARTS MUST COMPLY WITH SOLDERABILITY SPEC. 109-11-3.
- CONTACT IS PLATED OVERALL WITH .000050 NICKEL, THEN .000030 GOLD OVER CONTACT LENGTH INDICATED AND MATTE TIN ON SOLDER TAIL END.



RECOMMENDED LAYOUT FOR
 1.575 [.062] THICK P.C. BOARD

2-1586546-0	NYLON-NATURAL	COPPER ALLOY-GOLD
ASSEMBLY NO.	HSG, MATL& COLOR	PIN MATL & FINISH

THIS DRAWING IS A CONTROLLED DOCUMENT.		DWN RAGHU 11OCT2005	Tyco Electronics Corporation Harrisburg, PA 17105-3608			
DIMENSIONS: mm [INCHES]		CHK K. WHITAKER 18OCT2005				
TOLERANCES UNLESS OTHERWISE SPECIFIED:		APVD D. COLEY 18OCT2005	NAME: 6 CIRCUIT COMMERCIAL MATE-N-LOK (TM) HEADER			
0 PLC ± - 1 PLC ± - 2 PLC ± - 3 PLC ± - 4 PLC ± - ANGLES ± -		PRODUCT SPEC -	APPLICATION SPEC -			
MATERIAL: SEE TABLE	FINISH: SEE TABLE	WEIGHT: -	SIZE: A3	CAGE CODE: 00779	DRAWING NO: C-1586546	RESTRICTED TO: -
CUSTOMER DRAWING			SCALE: 2:1	SHEET: 1 OF 1	REV: 0	

METRIC