

PRODUCT NUMBER
20020314-XXXXXXLF

20020314- [] [] [] [] [] [] [] L F

PITCH
C: 3.50 mm
D: 3.81 mm

POLES
02: 2 POLES
03: 3 POLES
04: 4 POLES

24: 24 POLES

LF : DENOTED RoHS COMPATIBLE

1 : STANDARD PRODUCT
W/ BOX PACKING

SCREW CODE

CODE	SCREW TYPE	AVAILABILITY
A	-/+	ON REQUEST ONLY
B	-	STANDARD

PROPERTY TABLE			
FCI SERIES NAME		20-350	20-381
PITCH (mm)		3.50	3.81
VOLTAGE RATING (VAC)		300	300
CURRENT RATING (A)		10	10
APPLICABLE WIRE RANGE (AWG)	1-WIRE	16~28	16~28
	2-WIRE	24	24
WIRE CROSS SECTION (mm ²)	SOLID	1-WIRE	1.5
		2-WIRE	0.5
	STRANDED	1-WIRE	1.0
		2-WIRE	0.2
OPENING CONTACT HOUSING(mm ²)		1.6x1.6	1.6x1.6
WIRE STRIP LENGTH(mm)		5~6	5~6
TORQUE +/-10% (N-m/Lb-in)		0.19/1.7	0.19/1.7
SCREW		M2x0.4	M2x0.4
WITHSTANDING VOLTAGE (kV)		1.6	1.6
OPERATING TEMP. (°C)		-40~+115	-40~+115
SOLDERING TEMP. (°C)		250±10 (5 sec.)	250±10 (5 sec.)
POLES AVAILABLE		02~24	02~24
SAFETY CERTIFICATE			

HOUSING CODE

CODE	COLOR	AVAILABILITY
1	GREEN(RAL 6018/T)	STANDARD
2	BLACK	ON REQUEST ONLY
3	GREY(RAL 7004/P)	ON REQUEST ONLY
4	BLUE(RAL 5015/A)	ON REQUEST ONLY

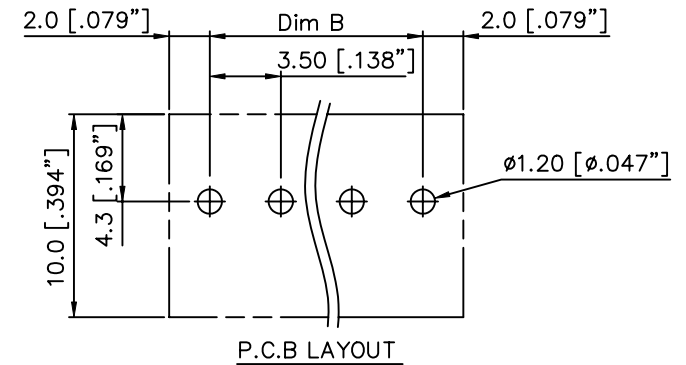
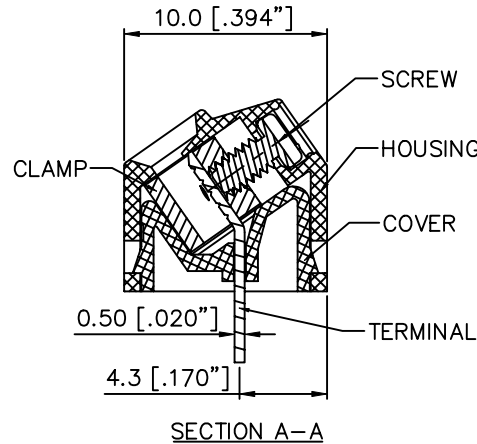
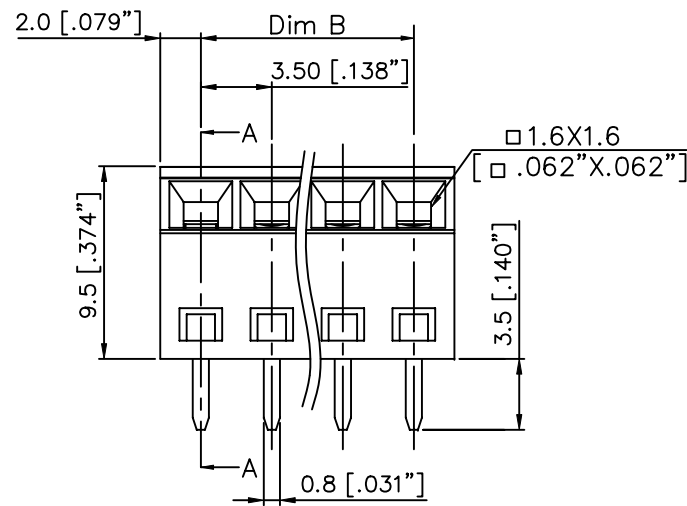
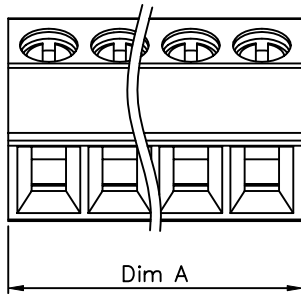
NOTES:

- MATERIALS
1-1 HOUSING: THERMALPLASTIC RESIN, UL 94V-0 RATED.
1-2 COVER: THERMALPLASTIC RESIN, UL 94V-0 RATED.
1-3 SCREW: STEEL, ZINC PLATED.
1-4 CLAMP: COPPER ALLOY, NICKEL PLATED.
1-5 TERMINAL: COPPER ALLOY, TIN PLATED.
- PRODUCT SPECIFICATION REFER TO FCI GS-12-625.
- PRODUCT PACKING SPECIFICATION REFER TO FCI GS-14-1394.
- FCI, SAFETY CERTIFICATE LOGO AND SERIES NAME TO BE SHOWN ON PRODUCT SURFACE.
- THE PRODUCTS WHERE THE PART NUMBER END IN "LF" MEET THE EUROPEAN UNION DIRECTIVE AND OTHER COUNTRY REGULATIONS AS DESCRIBED IN GS-22-008.
- RECOMENDED SOLDERING PROCESS BY WAVE SOLDER.

mat'l. code		surface ASME Y14.5	tolerance ASME Y14.5	projection	product family TERMINAL BLOCK
ltr	ecn no	dr	date	tolerances unless otherwise specified	
A	T10-0138	WL	083110	angles	title TERMINAL BLOCK FIXED SIGNAL PLUG, 45 DEGREE
B	T10-0165	WL	101210	X.X±0.1	
sheet index		revision	B	scale	dwg no 20020314
index		sheet	1 2 3	type CUSTOMER Drawing	sheet 1 of 3 size A4



PRODUCT NUMBER	SERIES NAME	PITCH
20020314-CXXXXXXLF	20-350	3.50 mm

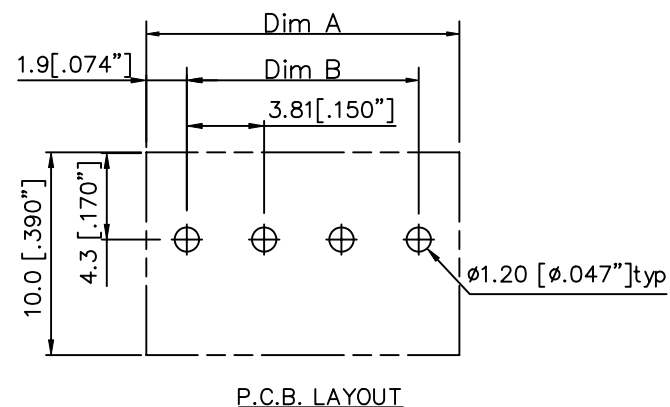
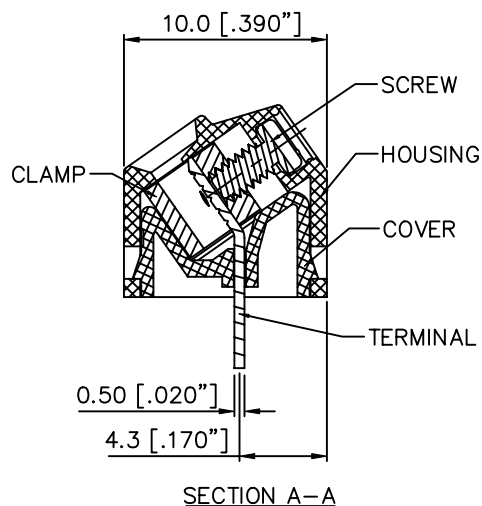
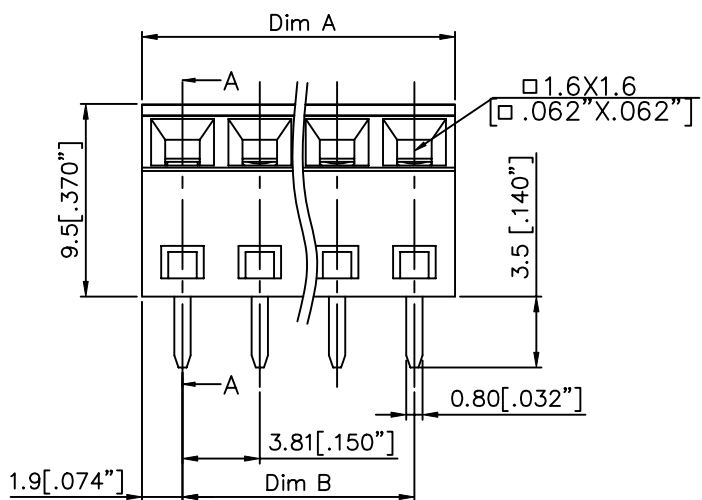
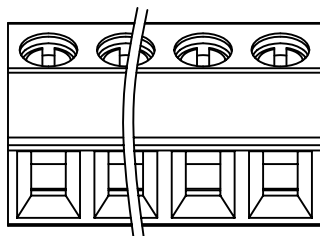


POLE		2	3	4	5	6	7	8
Dim A		7.50[.295"]	11.00[.433"]	14.50[.570"]	18.00[.708"]	21.50[.846"]	25.00[.984"]	28.50[1.122"]
Dim B		3.50[.138"]	7.00[.276"]	10.50[.413"]	14.00[.551"]	17.50[.689"]	21.00[.827"]	24.50[.965"]
Tol.		±0.15[.006"]				±0.20[.008"]		
POLE	9	10	11	12	13	14	15	16
Dim A	32.00[1.259"]	35.50[1.397"]	39.00[1.535"]	42.50[1.673"]	46.00[1.811"]	49.5[1.948"]	53.0[2.086"]	56.50[2.224"]
Dim B	28.00[1.102"]	31.50[1.240"]	35.00[1.378"]	38.50[1.516"]	42.00[1.654"]	45.5[1.791"]	49.0[1.929"]	52.50[2.067"]
Tol.	±0.20[.008"]				±0.25[.010"]			
POLE	17	18	19	20	21	22	23	24
Dim A	60.00[2.362"]	63.50[2.500"]	67.00[2.637"]	70.50[2.775"]	74.00[2.913"]	77.50[3.051"]	81.00[3.188"]	84.50[3.326"]
Dim B	56.00[2.205"]	59.50[2.342"]	63.00[2.480"]	66.50[2.618"]	70.00[2.756"]	73.50[2.894"]	77.00[3.031"]	80.50[3.169"]
Tol.	±0.25[.010"]				±0.30[.012"]			

mat'l. code		surface ASME Y14.5	tolerance ASME Y14.5	projection 	product family TERMINAL BLOCK
ltr	ecn no	dr	date	tolerances unless otherwise specified	
B				angles X±1°	title TERMINAL BLOCK FIXED SIGNAL PLUG, 45 DEGREE
				scale MM [INCH]	dwg no 20020314
		dr	WENDY CHEN	081710	sheet 2 of 3
		enr	JASON HSU	081710	size A4
		chr	GARY HSIEH	081710	type CUSTOMER Drawing
		appd	JOSEPH HSIA	081710	
sheet index	revision sheet				



PRODUCT NUMBER	SERIES NAME	PITCH
20020314-DXXXXXLF	20-381	3.81 mm



POLE		2	3	4	5	6	7	8
Dim A		7.62[.300"]	11.43[.450"]	15.24[.600"]	19.05[.750"]	22.86[.900"]	26.67[1.050"]	30.48[1.200"]
Dim B		3.81[.150"]	7.62[.300"]	11.43[.450"]	15.24[.600"]	19.05[.750"]	22.86[.900"]	26.67[1.050"]
Tol.		±0.15[.006"]				±0.20[.008"]		
POLE	9	10	11	12	13	14	15	16
Dim A	34.29[1.350"]	38.10[1.500"]	41.91[1.650"]	45.72[1.800"]	49.53[1.950"]	53.34[2.100"]	57.15[2.250"]	60.96[2.400"]
Dim B	30.48[1.200"]	34.29[1.350"]	38.10[1.500"]	41.91[1.650"]	45.72[1.800"]	49.53[1.950"]	53.34[2.10"]	57.15[2.250"]
		±0.20[.008"]				±0.25[.010"]		
POLE	17	18	19	20	21	22	23	24
Dim A	64.77[2.550"]	68.58[2.700"]	72.39[2.850"]	76.20[3.000"]	80.01[3.150"]	83.82[3.300"]	87.63[3.450"]	91.44[3.600"]
Dim B	60.96[2.400"]	64.77[2.550"]	68.58[2.700"]	72.39[2.850"]	76.20[3.000"]	80.01[3.150"]	83.82[3.300"]	87.63[3.450"]
		±0.25[.010"]				±0.30[.012"]		

mat'l. code		surface ASME Y14.5	tolerance ASME Y14.5	projection 	product family TERMINAL BLOCK
ltr	ecn no	dr	date	tolerances unless otherwise specified	title TERMINAL BLOCK FIXED SIGNAL PLUG, 45 DEGREE
B				angles X±0.5 line X.X±0.3 X°±1'	MM [INCH]
				scale X.XX±0.1	dwg no 20020314
		dr	WENDY CHEN	081710	sheet 3 of 3 size A4
		enr	JASON HSU	081710	FCI logo
		chr	GARY HSIEH	081710	type CUSTOMER Drawing
		appd	JOSEPH HSIA	081710	
sheet index	revision sheet				