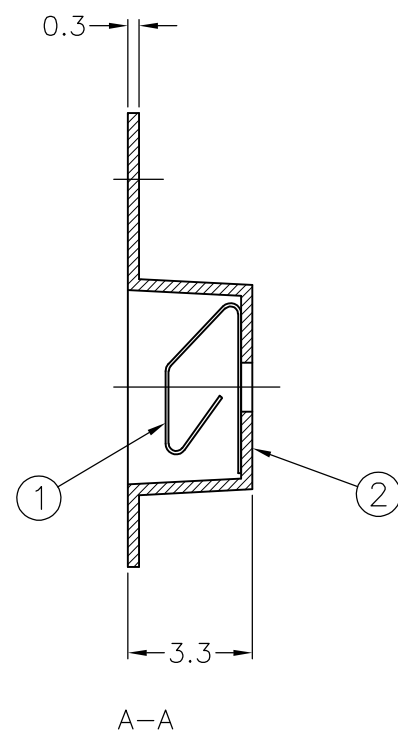
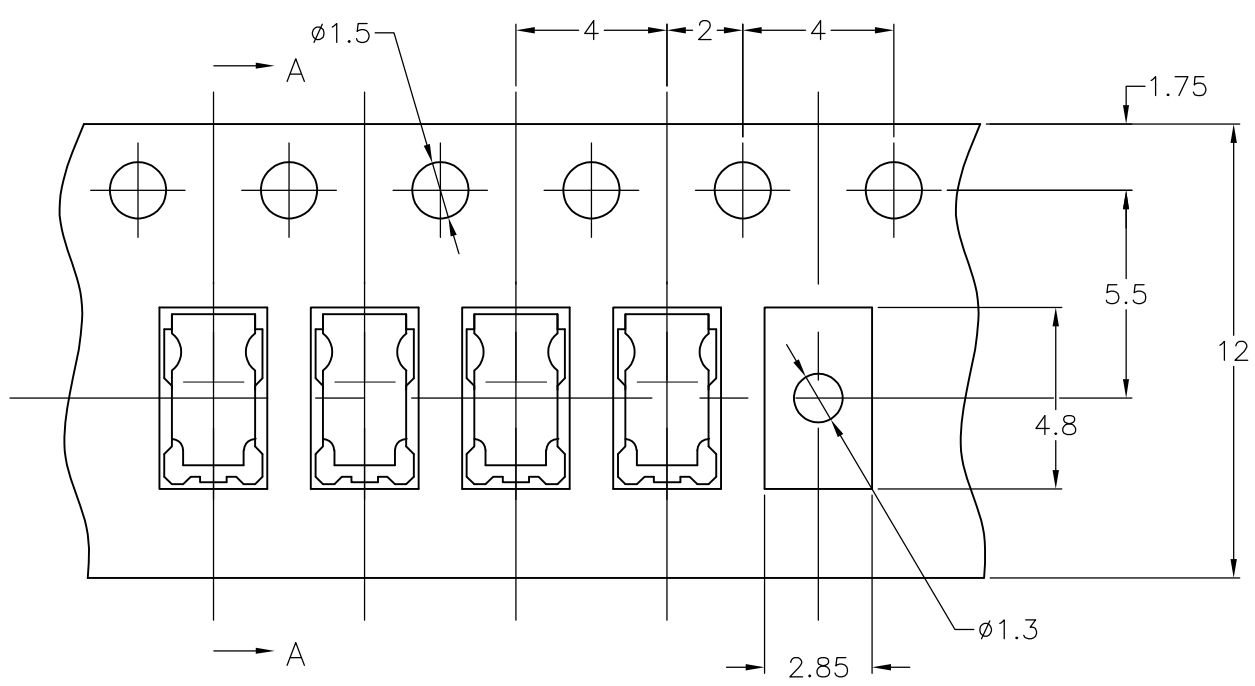


THIS DRAWING IS UNPUBLISHED. RELEASED FOR PUBLICATION
 © COPYRIGHT BY TYCO ELECTRONICS CORPORATION. ALL RIGHTS RESERVED.

| LOC | DIST | REVISIONS | | | DATE | DWN | APVD |
|-----|------|-----------|-----|-------------|---------|-----|------|
| | | P | LTR | DESCRIPTION | | | |
| J | - | | A1 | REVISED | 07JUN07 | C.O | Y.N |

DIRECTION OFF TOP OF REEL



- ① PACKING MATERIAL
EMBOSS CARRIER TAPE : ANTISTATIC TAPE
COVER FILM : ANTISTATIC FILM
REEL : PAPER
 - ② QUANTITY OF REEL : 5000 EA/REEL
 - ③ PEALING FORCE : 10 to 70 gf
- 1 : AS SHOWN
-1;本図

FIG.2 REEL DIMENSION

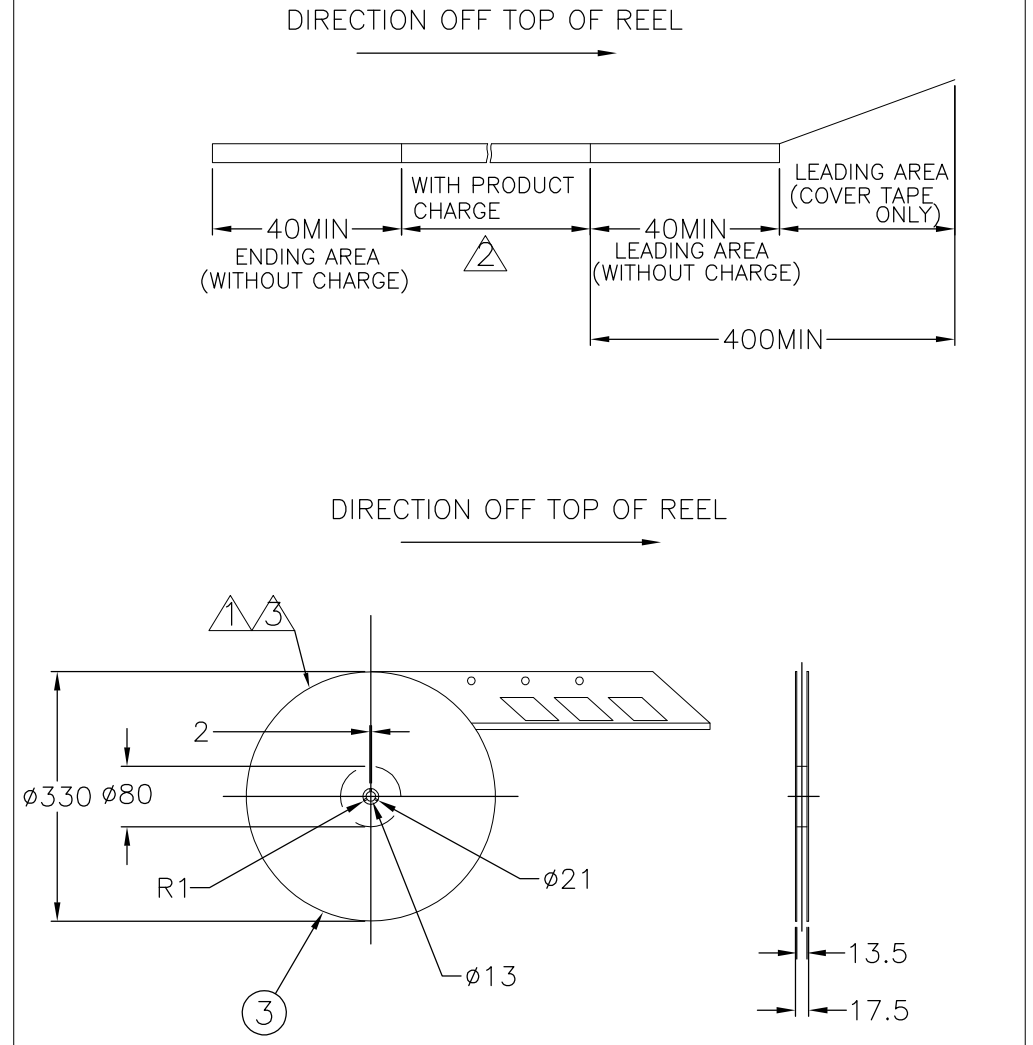
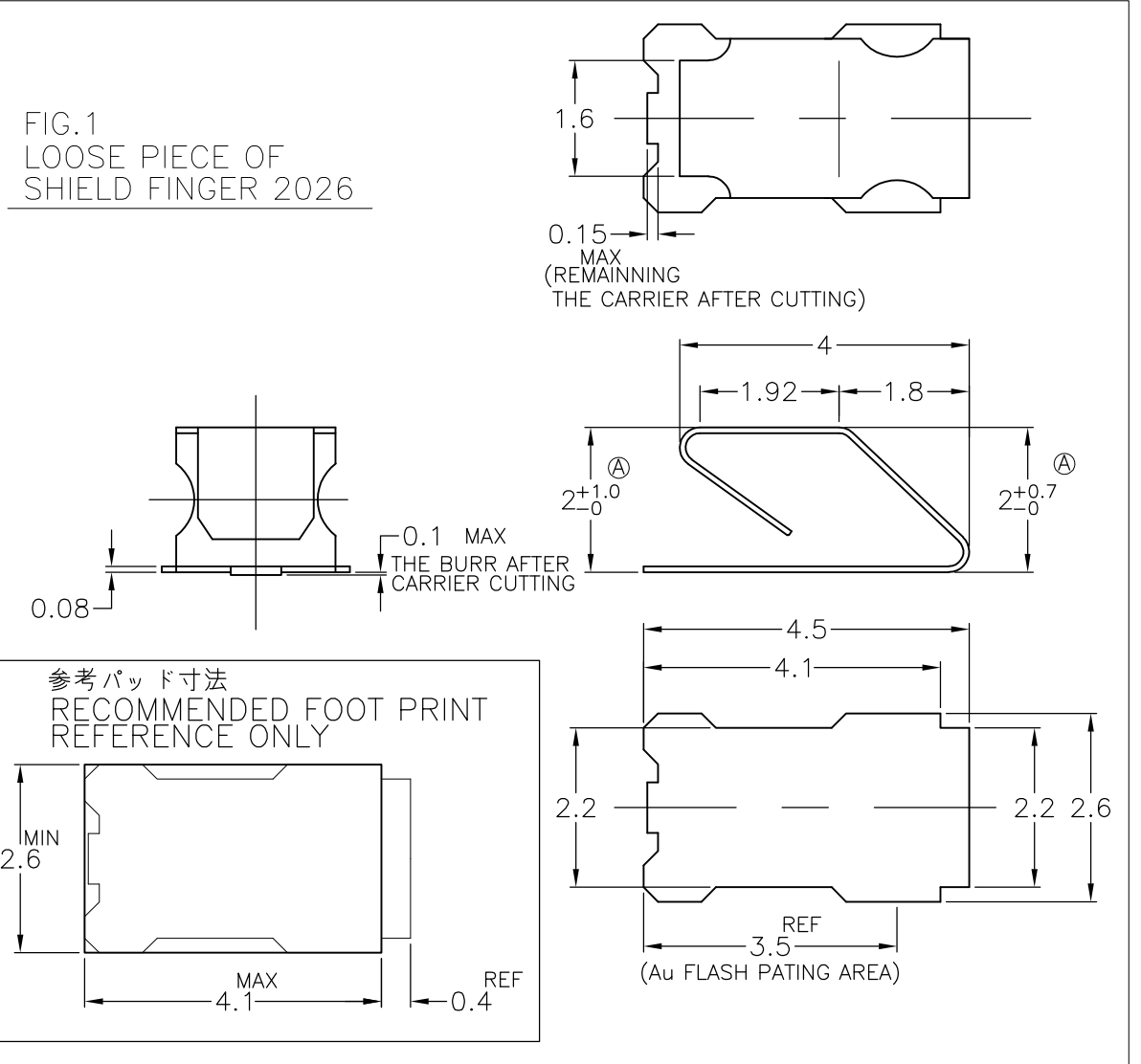


FIG.1 LOOSE PIECE OF SHIELD FINGER 2026



| | | | |
|------|--------------------|--------|------|
| 1 | REEL | | ③ |
| ① | CARRIER TAPE | ① | ② |
| - | SHIELD FINGER 2026 | | ① |
| Q'TY | MATERIAL | FINISH | ITEM |

| | | | | |
|---|--|-------------------------|--|-----------------|
| THIS DRAWING IS A CONTROLLED DOCUMENT. | | DWN H.TAKASU 12JUN2003 | Tyco Electronics AMP K.K. Kawasaki, Japan | |
| DIMENSIONS: 単位: 耗 MM | | CHK K.KODAIRA 16JUN03 | NAME 名称 SHIELD FINGER 2026 WITH CONTINUOUS TAPES | |
| TOLERANCES UNLESS OTHERWISE SPECIFIED: 一般公差 | | APVD K.KODAIRA 16JUN03 | SIZE A3 | CAGE CODE 00779 |
| 0 PLC ± 5 | | PRODUCT SPEC 製品規格 | DRAWING NO 番号 G-1674954 | RESTRICTED TO |
| 1 PLC ± 3 | | APPLICATION SPEC 取付適用規格 | SCALE 尺度 1:1 | |
| 2 PLC ± 0.1 | | WEIGHT - | SHEET 1 OF 1 | REV A1 |
| 3 PLC ± - | | CUSTOMER DRAWING | | |
| 4 PLC ± - | | | | |
| ANGLES ± 3 | | | | |
| FINISH 仕上 - | | | | |