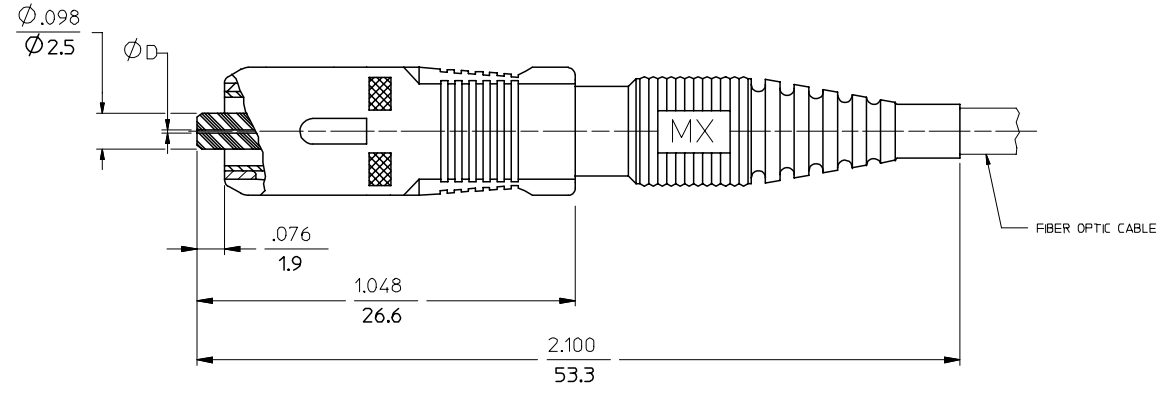
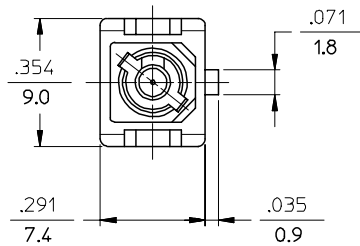


CONNECTOR P/N	Ø (4th)	FERRULE MATERIAL	BOOT COLOR	HOUSING COLOR	CONNECTOR TYPE	CABLE (mm)	CONNECTOR P/N	Ø (4th)	FERRULE MATERIAL	BOOT COLOR	HOUSING COLOR	CONNECTOR TYPE	CABLE (mm)			
106063-0000	127	Zr	BLUE	BLUE	MULTIMODE	3	106063-4000	125	Zr	YELLOW	BLUE	SINGLE MODE	3			
106063-0100								106063-4100		125.25	RED			RED		
106063-0060								106063-4080		125	BLACK			BLACK		
106063-0099			LOW COST Zr	BEIGE			BEIGE	106063-4070			YELLOW			BLUE		
106063-0090								106063-5000			RED			RED		
106063-0360					106063-5100	126	BLACK	BLACK								
106063-0080					106063-5080		YELLOW	BLUE								
106063-0070					106063-5070		RED	RED								
106063-2000		125.5	Zr	RED	RED	SINGLE MODE	3	106063-7000		127	BLACK			BLACK	MULTIMODE	2.4
106063-2080										106063-7080				YELLOW		
106063-2070								106063-7070		RED	RED					
106063-3000								106063-0300		BLACK	BLACK					
106063-3060								106063-0310	125	BLUE	BLUE					
106063-3080								106063-0300		YELLOW	BLUE					
106063-3070								106063-4300	125	RED	RED					
								106063-5300	126	BLACK	BLACK					
								106063-5310		YELLOW	BLUE					
								106063-5099		LOW COST Zr	YELLOW	BLUE				



NOTES:  
 1. ALL DIMENSIONS ARE FOR REFERENCE ONLY.  
 △ P/N 106063-0090, P/N 106063-5100, P/N 106063-0100, P/N 106063-0310 AND P/N 106063-5310 ARE BULK PACKED IN QUANTITIES OF 100 PCS.

ENTER DESCRIPTION EC NO: MF2008-0131 DRAWN/REV: ZNER 2007/09/21 CHKD: 2007/09/21 APPR: JGUMIN 2007/09/25 REV: C2	QUALITY SYMBOLS ▽=0 ▽=0	GENERAL TOLERANCES (UNLESS SPECIFIED)		DIMENSION STYLE IN/MM		SCALE 5:1	DESIGN UNITS INCH	THIRD ANGLE PROJECTION			
		mm	INCH	DRAWN BY RPACIFICI	DATE 2005/12/22	TITLE SC CONNECTOR (ONE PIECE DESIGN)					
		4 PLACES ± --- ± ---	3 PLACES ± --- ± ---	CHECKED BY		DATE	MATERIAL NO.				
		2 PLACES ± --- ± ---	1 PLACE ± --- ± ---	APPROVED BY		DATE	DOCUMENT NO. SD-106063-XXX0				
ANGULAR ±1/2°		DRAFT WHERE APPLICABLE MUST REMAIN WITHIN DIMENSIONS		SEE TABLE		SHEET NO. 1 OF 1		THIS DRAWING CONTAINS INFORMATION THAT IS PROPRIETARY TO MOLEX INCORPORATED AND SHOULD NOT BE USED WITHOUT WRITTEN PERMISSION			