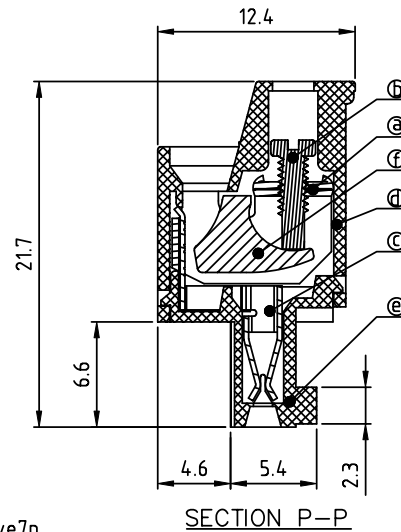
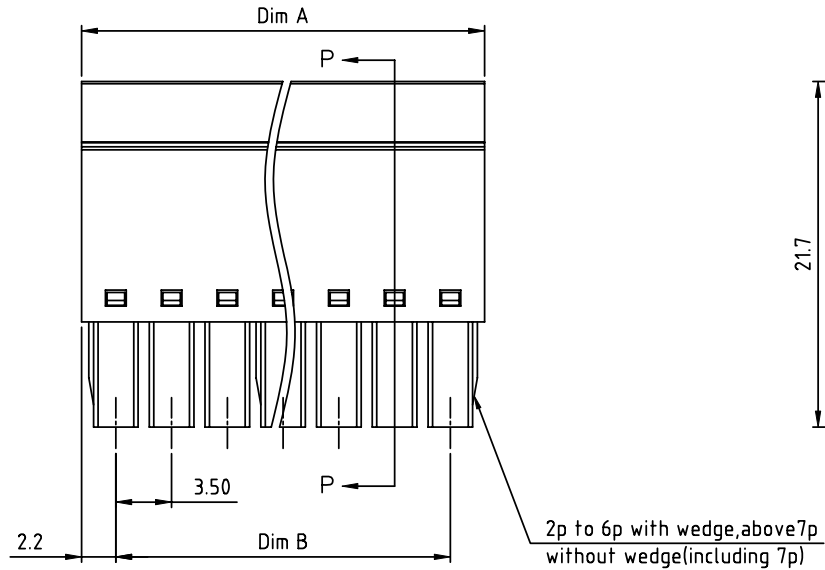
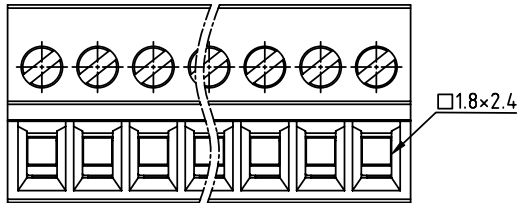


PRODUCT NUMBER	PITCH
VMxx15x000J0G	3.50 mm



Material

- Item (a) Clamp: Steel zinc plated.
- Item (b) Terminal screw: Steel Zinc plating "-" slot type
- Item (c) Female contact: PhBz Tin plated
- Item (d) Terminal (top body): Thermoplastic (UL94V-0)
- Item (e) Terminal (bottom body): Thermoplastic (UL94V-0)
- Item (f) Clampage: Steel Zinc plated

Electrical cULus

- Voltage rating: 300VAC
- Current rating: 10A
- Wire range:
- Solid wire(AWG): 16-28
- Stranded wire(AWG): 16-28
- Torque: 1.7Lb-In
- Screw: M2
- Wire strip length: 6-7mm
- Withstanding Voltage: 1.6KV
- Operating temperature: -40°C to +115°C
- Safety approval: us

Dimension

Dim A	Nx3.5+0.80
Dim B	(N-1)x3.5
N = Number of poles	
Poles	Tolerance
2p-6p	±0.10
7p-12p	±0.20
13p-18p	±0.30
19p-24p	±0.40

PART NO.: VM xx 15 x 0 00J0 G

Solid block	0	Black (RAL9005)	RoHS compliant (lead<4%) In copper Alloy
No. of poles	2	Red (RAL3001/D)	
02	2 poles	3 Orange(RAL2011/P)	
03	3 poles	4 Yellow(RAL1018/A)	
...	...	5 Green(RAL6018/T)	
24	24 poles	6 Blue (RAL5015/A)	
		8 Grey(RAL7035/D)	
		9 White(RAL1102)	
		C Green(RAL6018/U)	

mat'l. code		surface ASME Y14.5 ✓	tolerance ASME Y14.5	projection 	product family TERMINAL BLOCK
ltr ecn no dr date		tolerances unless otherwise specified		MM	title TERMINAL BLOCK PLUGGABLE PLUG, WITHOUT FLANGE
		angles 	X.±0.5 X.X±0.3 X.XX±0.1		
dr	EVIN ZHONG	041914			dwg no VMxx15x000J0G
enr	EVIN ZHONG	041914			sheet 1 of 1
chr	HANKE FENG	041914			size A4
appd	SHI JUN	041914			type CUSTOMER Drawing
sheet index	revision sheet	A	1		