

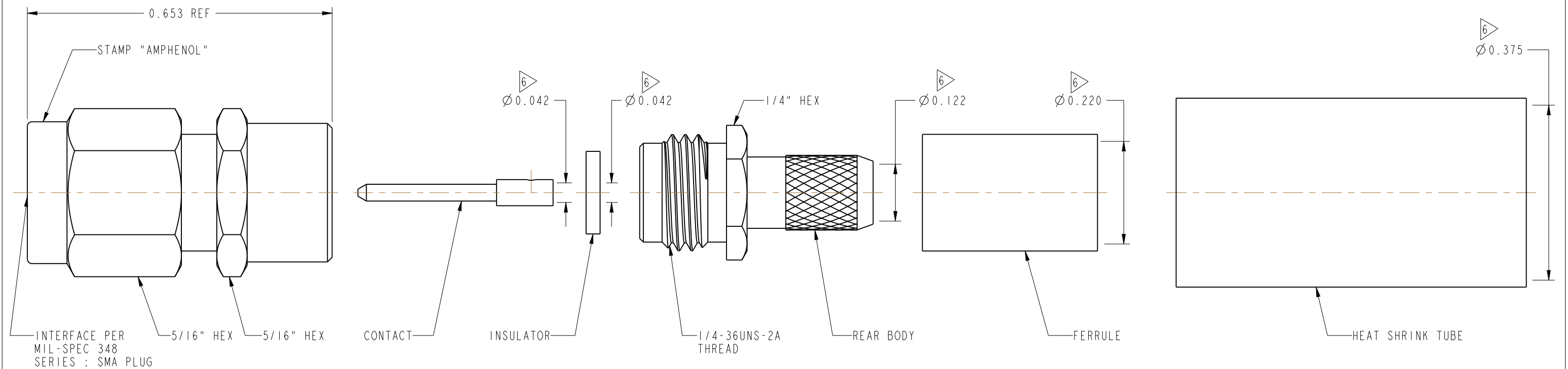
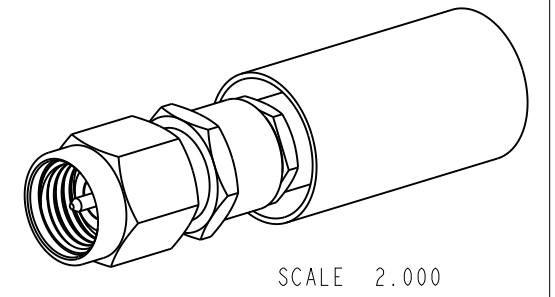
NOTES:

1. MATERIALS AND FINISHES:
 BODY, REAR BODY & COUPLING NUT - STAINLESS STEEL, PASSIVATED
 CONTACT - BeCu, GOLD PLATING
 INSULATORS - PTFE, NATURAL
 RETAINING RING - BeCu
 FERRULE - COPPER, NICKEL PLATING
 GASKET - SILICONE RUBBER, RED
 HEAT SHRINK TUBE - POLYOLEFINE, BLACK
2. ELECTRICAL:
 A. IMPEDANCE: 50 OHM
3. MECHANICAL:
 A. DURABILITY: 500 CYCLES MIN.
 B. TEMPERATURE RANGE: -65° C TO +165° C

4. PACKAGING:
 A. QUANTITY: SINGLE PACK
 B. MARKING: BAG TO BE MARKED
 "AMPHENOL RF, 901-9601-ISF, AND DATE CODE"
 5. CABLE ASSEMBLY INSTRUCTIONS:
 A. FOR CABLE STRIPPING AND ASSEMBLY INSTRUCTIONS SEE
 AMPHENOL SPECIFICATION 349-50180, SHEET 14.
 B. CRIMP WITH AMPHENOL TOOL NO. 227-944 & DIE SET
 227-1221-11, CAVITY 'A' (M22520/5-11 CLOSURE A).
- 6 SHOWS CABLE ENTRY DIMENSIONS.

THIRD ANGLE PROJ.

REVISIONS				
REV	DESCRIPTION	DATE	ECO	APPR
--	RELEASE TO MFG.	--	--	--
H	REDRAWN IN PRO-E & COD ADDED	9/3/15	50266	CL



CUSTOMER OUTLINE DRAWING
 ALL OTHER SHEETS ARE FOR INTERNAL USE ONLY

UNLESS OTHERWISE SPECIFIED, DIMENSIONS ARE IN INCHES AND TOLERANCES ARE: 2 PLACE DECIMAL 3 PLACE DECIMAL ANGLES ±.015 (0,381 mm) ±.005 (0,127 mm) ± 1° NOTICE - These drawings, specifications, or other data (1) are, and remain the property of Amphenol corp. (2) must be returned upon request; and (3) are confidential and not to be disclosed to any person other than those to whom they are given by Amphenol Corp. the furnishing of these drawings, specifications, or other data by Amphenol Corp., or to any other person to anyone for any purpose is not to be regarded by implication or otherwise in any manner licensing, granting rights to permitting such holder or any other person to manufacture, use or sell any product, process or design, patented or otherwise, that may in any way be related to or disclosed by said drawings, specifications, or other data.	MATERIAL	DRAWN	DATE	TITLE SMA STR PLUG CRIMP TYPE FOR RG-55, 142, 223 & 400/U CABLE	Amphenol RF www.amphenolrf.com
	SEE NOTES	CLEMENT	06-Nov-14		
	REFERENCE	ENGINEER	DATE	SCALE: 4.8:1.0 SHEET 2 OF 2	DRAWING NO. 901-9601-ISF
	EAR # AND DOR 42-901-315350	H. HUTTER	03-Dec-76		ITEM NO. 901-9601-ISF
CONFIGURATION LEVEL: In Work	APPROVED	DATE	DWG SIZE	REV	PART NO. 901-9601-ISF
FINISH	K. CAPOZZI	7/23/15	B	H	