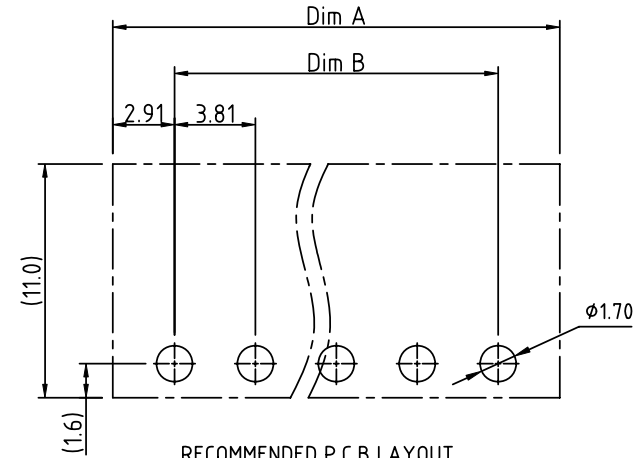
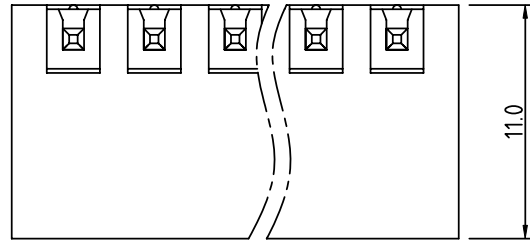
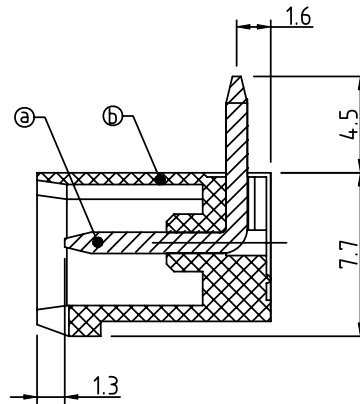
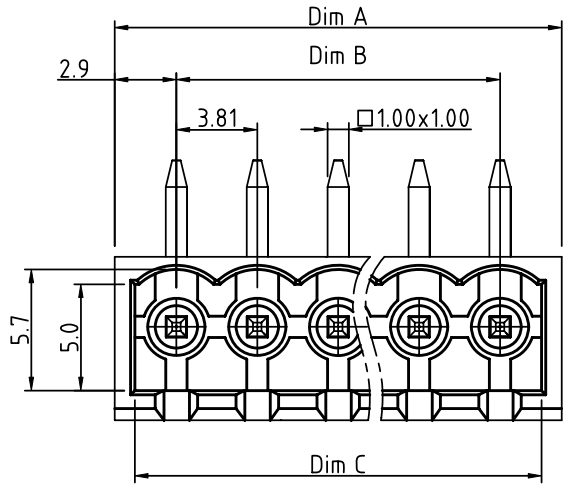


PRODUCT NUMBER	PITCH
VExx31x100J0G	3.81 mm



RECOMMENDED P.C.B LAYOUT
TOP VIEW



Material:

- Item ① Contact pin: Copper, Tin plated
- Item ② Terminal(housing): Thermoplastic (UL94V-0)

Electrical:

- Voltage rating: 300V
- Current rating: 8A
- Withstanding Voltage: 1.6 KV
- Operating temperature: -40°C to +115°C
- Soldering temperature: 260°C±5°C/5 Sec
- Safety Approval:

DIMENSION

Dim A	N×3.81+2
Dim B	(N-1)×3.81
Dim C	(N-1)×3.81+3.9

N= Number of poles

Poles	Dim A	Dim B	Dim C
2P-5P	±0.15	+0.15 -0.0	
6P-10P	±0.20	+0.20 -0.0	
11P-15P	±0.25	+0.25 -0.0	
16P-20P	±0.30	+0.30 -0.0	
21P-24P	±0.35	+0.35 -0.0	

PART NO.: VE xx 31 x 1 00J0 G

- Solid block 0 Black (RAL9005)
 - No. of poles 2 Red (RAL3001/D)
 - 02 2 poles 3 Orange(RAL2011/P)
 - 03 3 poles 4 Yellow(RAL1018/A)
 - 5 Green(RAL6018/T)
 - 24 24 poles 6 Blue (RAL5015/A)
 - 8 Grey(RAL7035/D)
 - 9 White(RAL1102)
 - C Green(RAL6018/U)
- Color
RoHS compliant (lead<4%)
In copper Alloy

mat'l. code		surface ASME Y14.5	tolerance ASME Y14.5	projection	product family TERMINAL BLOCK
ltr	ecn no	dr	date	tolerances unless otherwise specified	title TERMINAL BLOCK
				angles X°±1°	PLUGGABLE SOCKET,CLOSE RIGHT-ANGLE
				scale	dwg no VExx31x100J0G
				dr EVIN ZHONG 042214	sheet 1 of 1 size A4
				enr EVIN ZHONG 042214	type CUSTOMER Drawing
				chr HANKE FENG 042214	
				appd SHI JUN 042214	
sheet index	revision sheet	A	1		