

PART
NAME

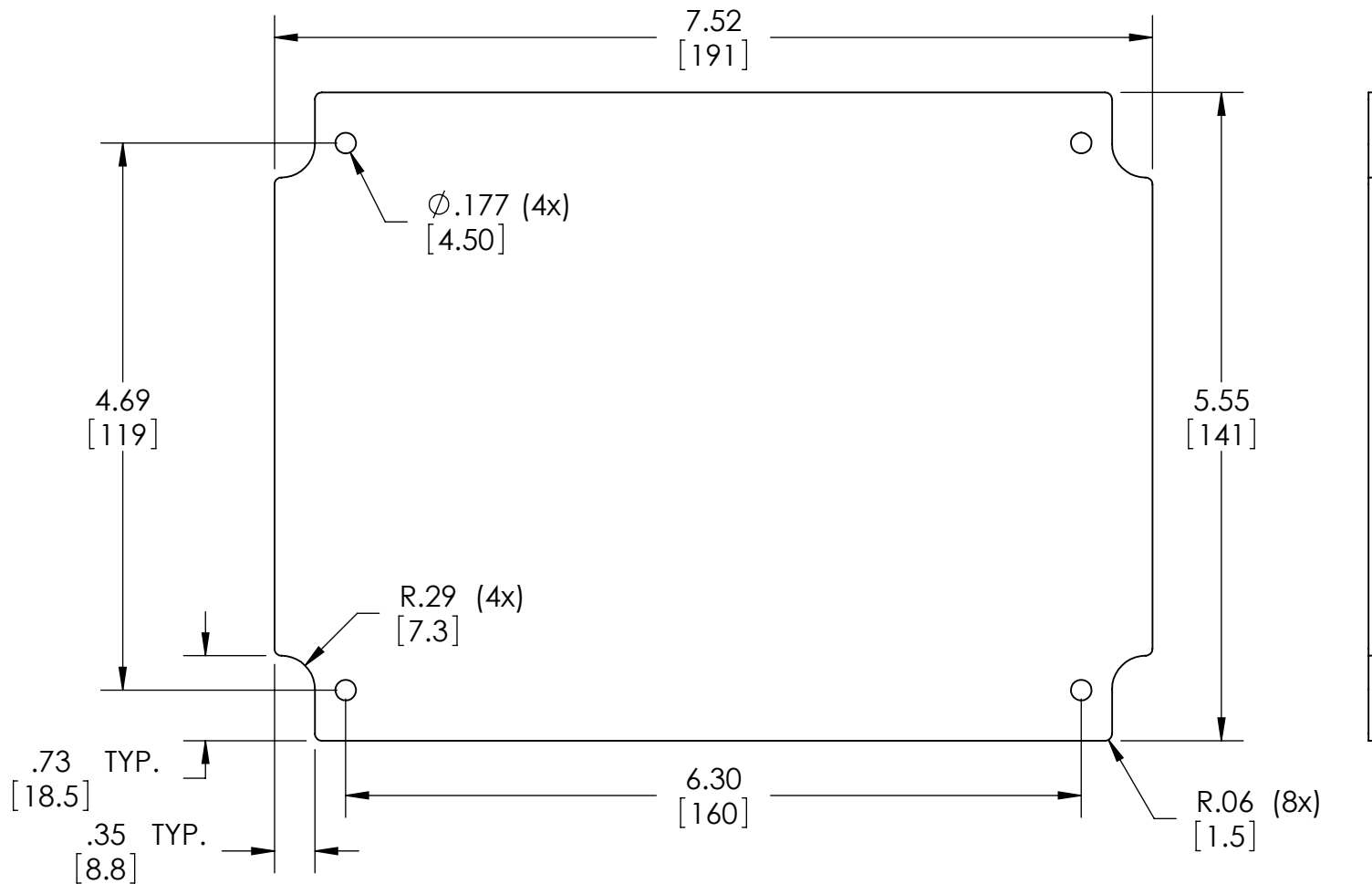
INTERNAL PANEL

PART
No.

PNX-92607

REV.
DATE

5-11-11



MATERIAL - .060 [1.5mm] THK. ALUMINUM

FINISH - NATURAL

SUPPLIED WITH M3x0.5 x 6mm LG. MACHINE SCREWS
(PAN HD., PHILLIPS DRIVE, STEEL, ZINC PLATED) FOR
MOUNTING.

PANEL FITS THE FOLLOWING ENCLOSURES:
PNR-2607, PNR-2607-DG & PNR-2607-C
PNR-2608, PNR-2608-DG & PNR-2608-C