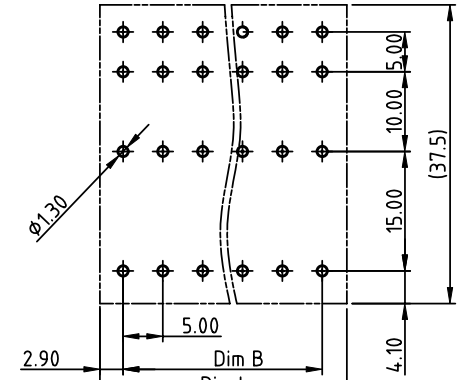
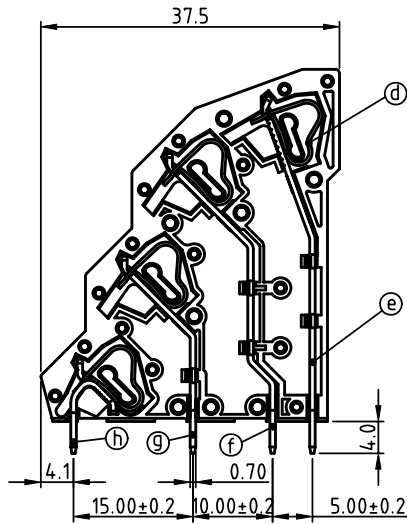
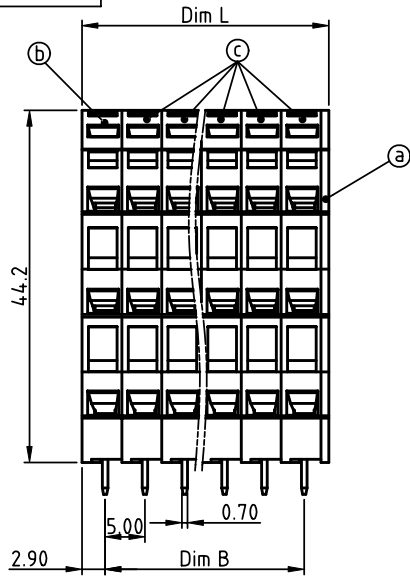


PRODUCT NUMBER	PITCH
HSxx00x000J0G	5.00mm

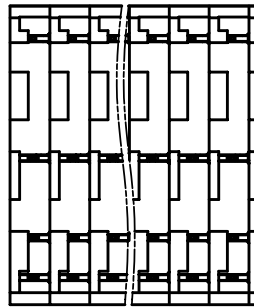


RECOMMENDED P.C.B LAYOUT
TOP VIEW

Material:

- ItemⒶ Insulator(Cover): Thermoplastic (UL94V-0)
- ItemⒷ Insulator(Side housing): Thermoplastic (UL94V-0)
- ItemⒸ Insulator(Middle housing): Thermoplastic (UL94V-0)
- ItemⒹ Spring clamp: Stainless steel
- ItemⒺ Solder Pin (The fourth layer) : Brass, Tin plated
- ItemⒻ Solder Pin (The third layer) : Brass, Tin plated
- ItemⒼ Solder Pin (The second layer) : Brass, Tin plated
- ItemⒽ Solder Pin (The first layer) : Brass, Tin plated

- Electrical: cULus
- Voltage rating: 300V
 - Current rating: 10A
 - Wire range:
 - Solid wire(AWG): 12-28
 - Stranded wire(AWG): 12-28
 - Wire strip length: 6-7mm
 - Withstanding Voltage: 1.6KV
 - Operating temperature: -40°C to +115°C
 - Soldering temperature: 260°C±5°C/5 Sec
 - Safety Approval:



N=Number of poles
Dim L=N/4×5.0+1.0
Dim B=(N/4-1)×5.0

PART NO.: HS xx 00 x 000J0 G

No. of poles	Color	RoHS compliant
0	Black (RAL9005)	(lead<4%) In copper Alloy
End Stackable	2 Red (RAL3001/D)	
04 4x1 poles	3 Orange(RAL2011/P)	
08 4x2 poles	4 Yellow(RAL1018/A)	
...	5 Green(RAL6018/T)	
96 4x24 poles	6 Blue (RAL5015/A)	
	8 Grey(RAL7004/P)	
	9 White(RAL1102)	
	C Multiple colors	

Poles	Dim L	Dim B
4x1p	±0.10	
4x2p-4x6p	±0.15	±0.15
4x7p-4x12p	±0.25	±0.25
4x13p-4x18p	±0.35	±0.30
4x19p-4x24p	±0.45	±0.40

mat'l. code		surface ASME Y14.5	tolerance ASME Y14.5	projection	product family
ltr ecn no dr date		tolerances unless otherwise specified			TERMINAL BLOCK
		angles	X.±0.5	MM	title
		X'±1"	X.X±0.3	scale	TERMINAL BLOCK
			X.XX±0.1		SPRING CLAMP,45D WIRE INLET,4-LEVEL, PARALLEL TYPE
		dr	EVIN ZHONG 053014		dwg no
		enr	EVIN ZHONG 053014		sheet 1 of 1
		chr	HANKE FENG 053014		size
		appd	SHI JUN 053014		A4
sheet index	revision sheet	A			type CUSTOMER Drawing