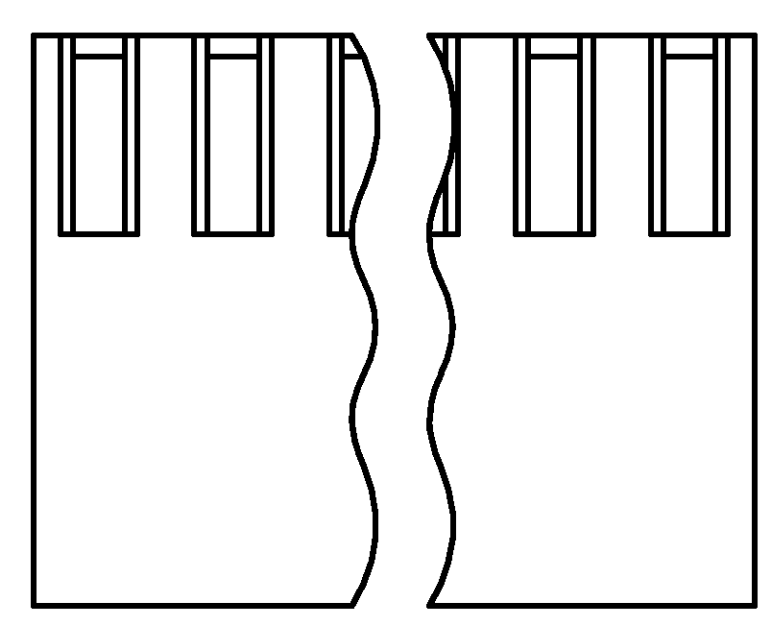
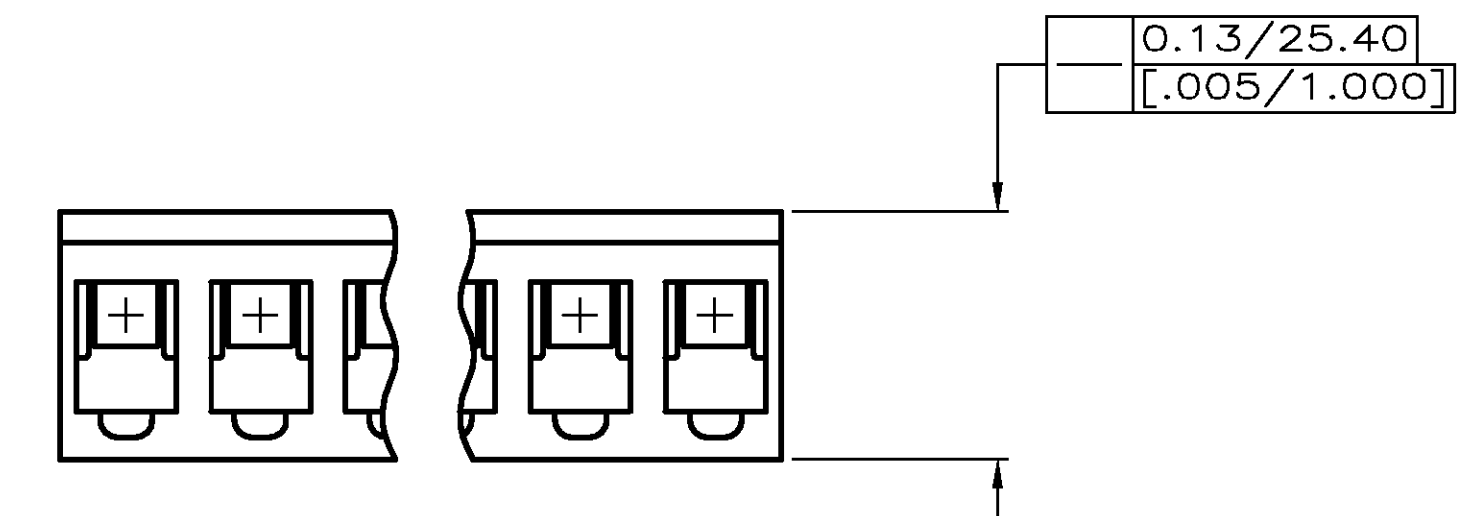
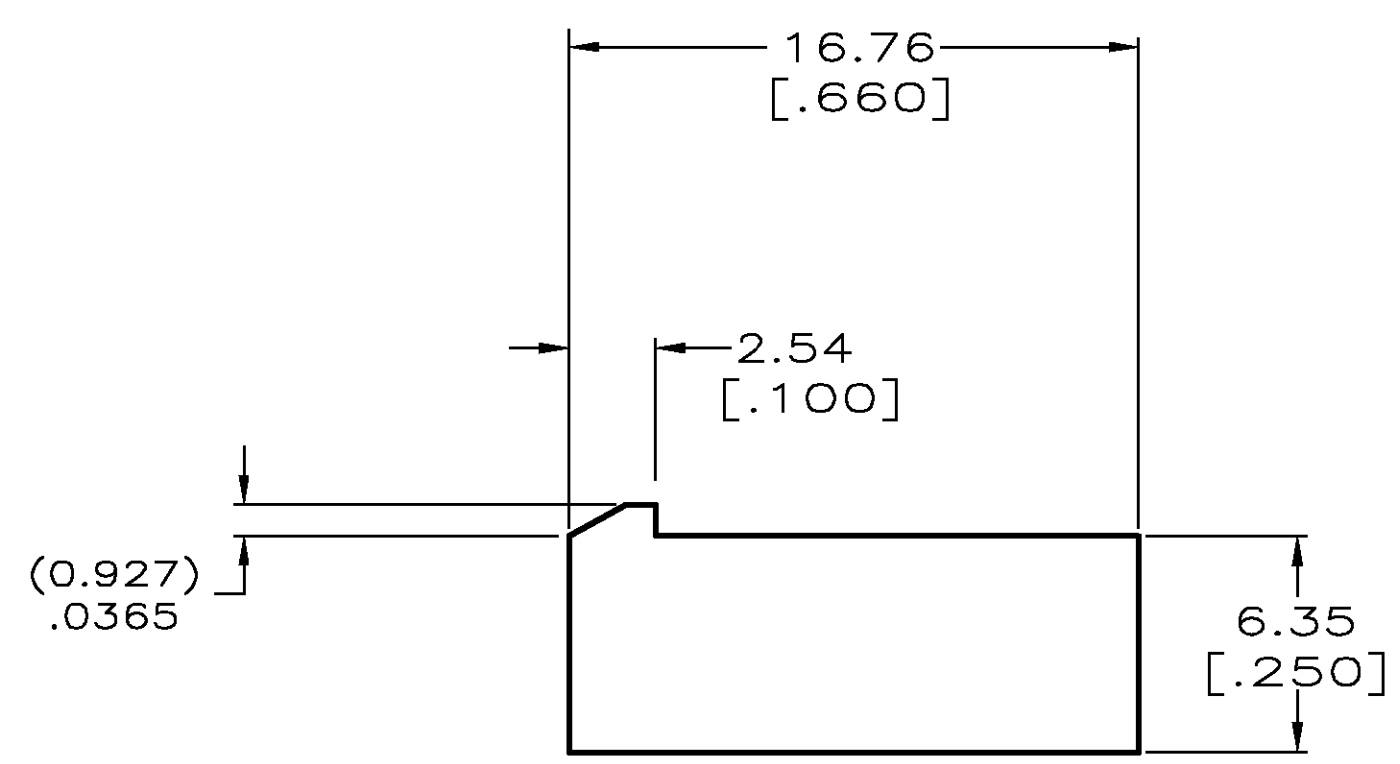
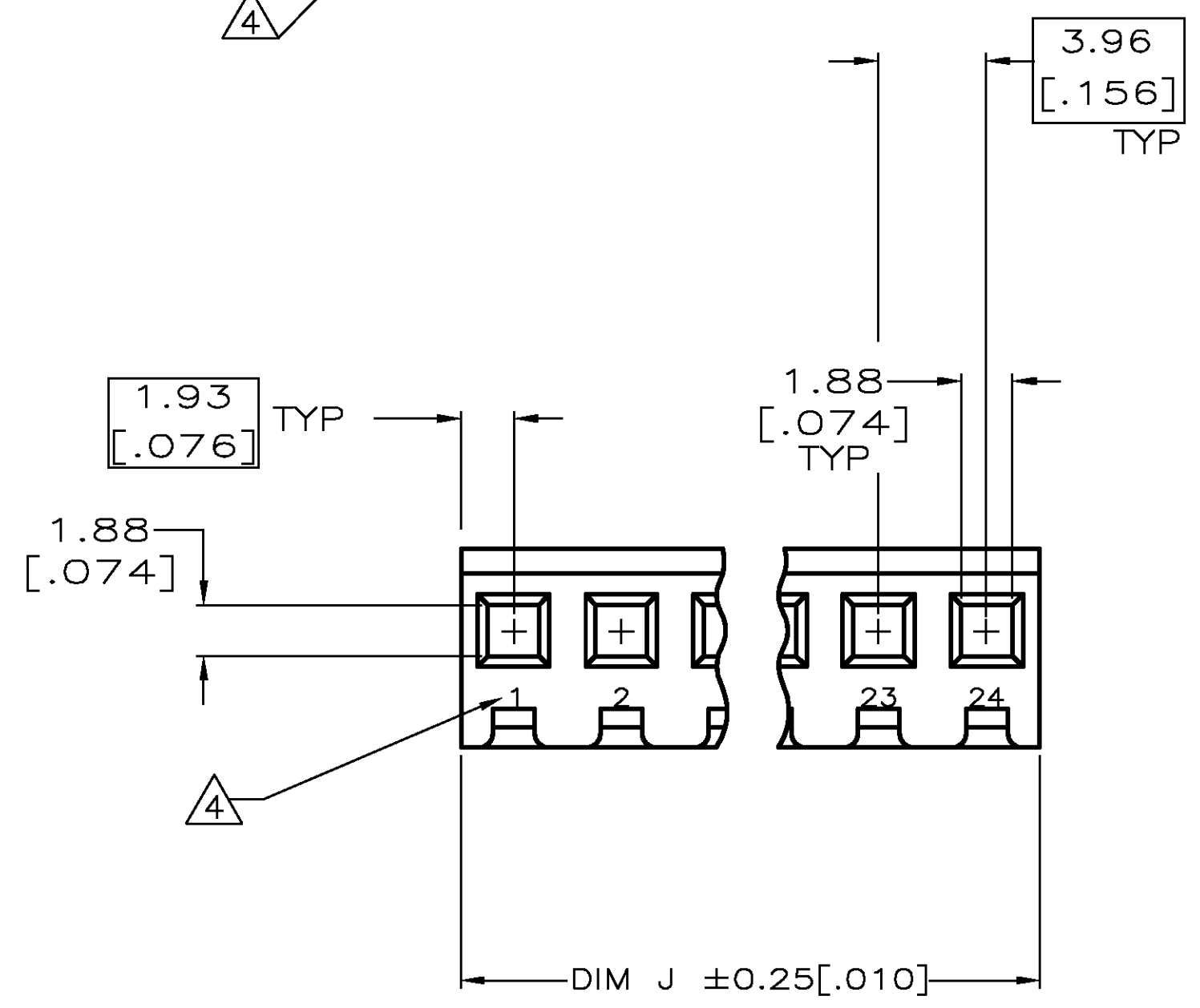


- UNIT ACCEPTS 1.14 [.045] SQUARE OR ROUND POST.
 - UNIT ACCEPTS SL-156 CONTACTS 350980, 640252, 640706, 640707, 641550 AND 770258 (ALL DASH NUMBERS).
 - UNIT ACCEPTS KEYING PLUG 640254-1 AND KEYING PIN 640255-1.
- ⚠️ CIRCUIT I.D. NUMBER(S), TO BE LOCATED SEQUENTIALLY AS SHOWN OR ONLY NO.1 CIRCUIT PLACED ON LOCKING RAMP.
- ⚠️ OPTIONAL CONSTRUCTION (BOTH CORNERS) UP TO 0.38 [.015] FOR P/N -1 THRU -5, UP TO 1.27 [.050] FOR P/N -6 THRU 2--4.

SCALE 10:1



95.15	3.746	24	2-770707-4
91.19	3.590	23	2-770707-3
87.20	3.433	22	2-770707-2
83.24	3.277	21	2-770707-1
79.27	3.121	20	2-770707-0
75.31	2.965	19	1-770707-9
71.32	2.808	18	1-770707-8
67.36	2.652	17	1-770707-7
63.40	2.496	16	1-770707-6
59.44	2.340	15	1-770707-5
55.45	2.183	14	1-770707-4
39.57	1.558	10	1-770707-0
27.69	1.090	7	770707-7
23.70	.933	6	770707-6
19.74	.777	5	770707-5
15.77	.621	4	770707-4
MM	[IN]		
J		NO. OF CIRCUITS	PART NUMBER

METRIC

THIS DRAWING IS A CONTROLLED DOCUMENT.

DIMENSIONS: MM [INCHES]	TOLERANCES UNLESS OTHERWISE SPECIFIED:	DM: S. HAMM 08-JAN-2002	APVD: J. ELLIS 08-JAN-2002	NAME: Tyco Electronics Corporation Harrisburg, PA 17105-3608
0 PLC ±	1 PLC ±	2 PLC ±	3 PLC ± 0.13 [.005]	4 PLC ±
ANGLES ± 0.30°	FINISH:	APPLICATION SPEC	PRODUCT SPEC	RESTRICTED TO
MATERIAL: NYLON, UL 94V-0 NATURAL	WEIGHT:	SIZE: A1	CAGE CODE: 00779	DRAWING NO: C-770707
CUSTOMER DRAWING		SCALE: 4:1	SHEET: 1 OF 1	REV: F