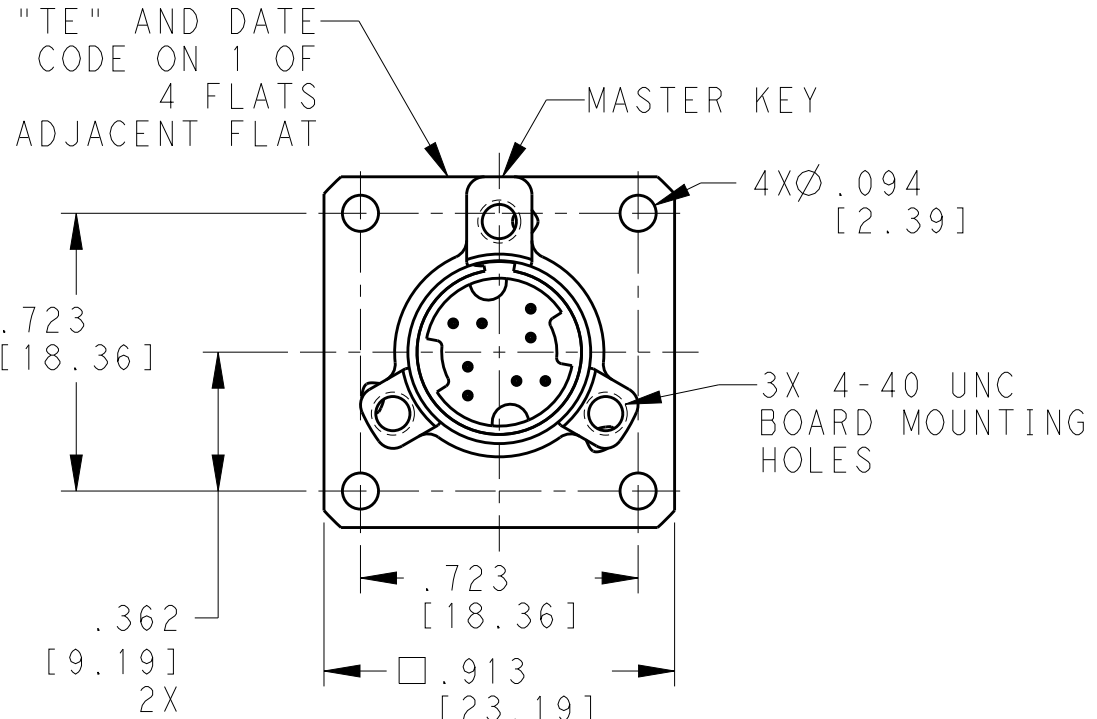
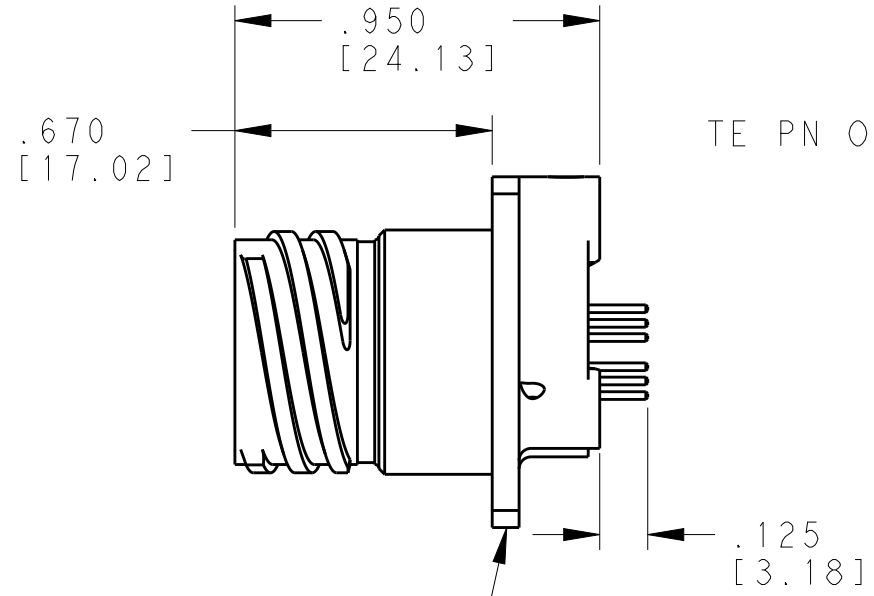
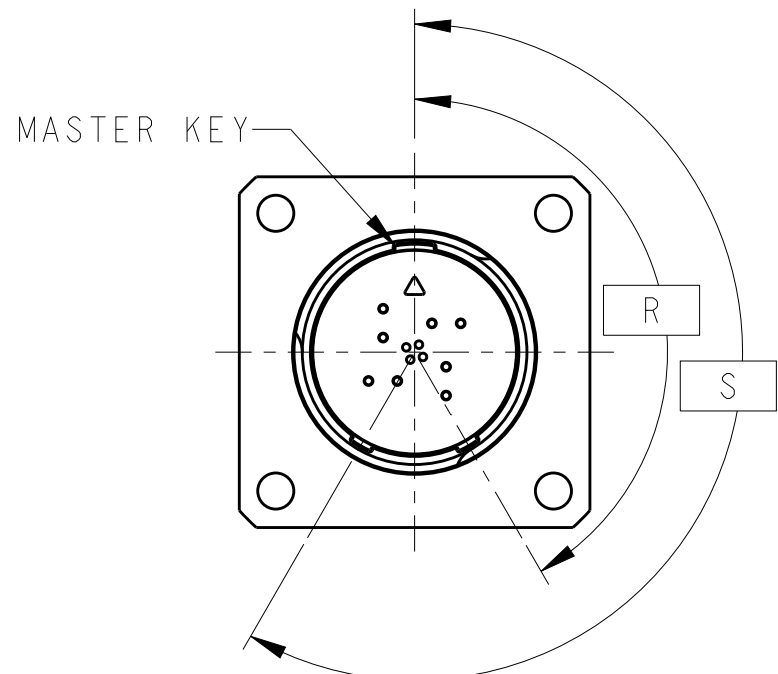
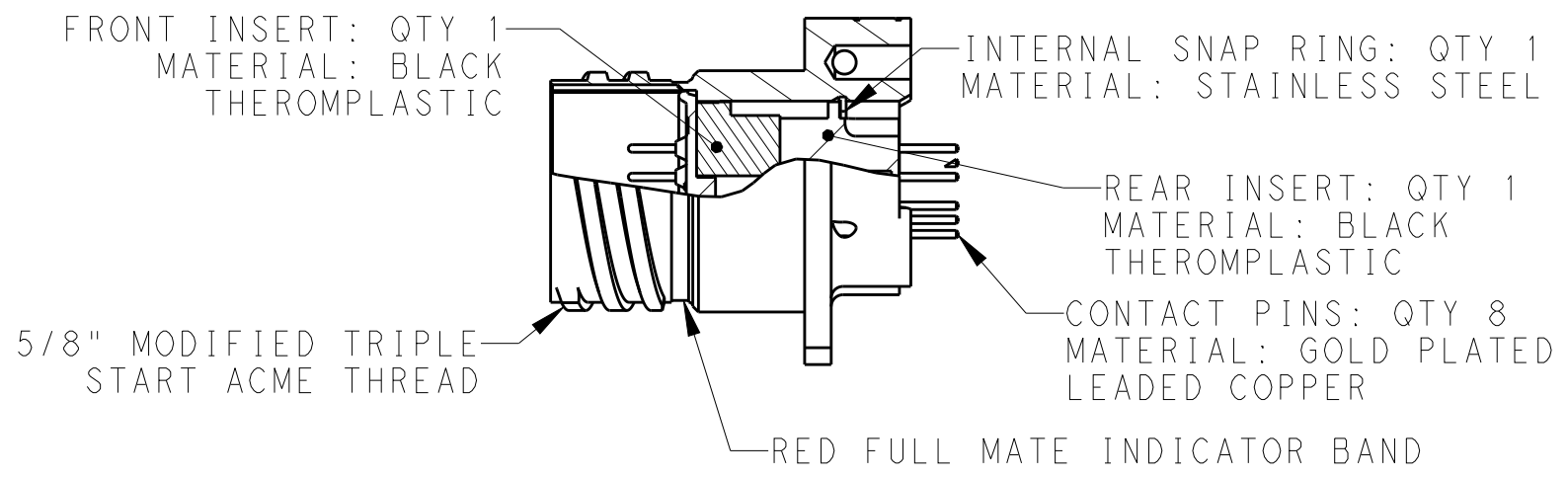
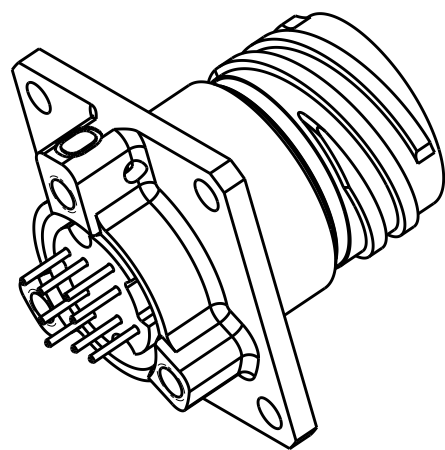


THIS DRAWING IS UNPUBLISHED. RELEASED FOR PUBLICATION  
 © COPYRIGHT - BY - ALL RIGHTS RESERVED.

LOC	DIST	REVISIONS					
		P	LTR	DESCRIPTION	DATE	DWN	APVD
-	-		B	REV PER ECO 13-001557	2-12-13	CT	DM
			C	REVISED PER ECO-15-013009	03DEC15	RS	CT



RECEPTACLE: QTY 1  
 MATERIAL: ALUMINUM  
 FINISH: SEE TABLE



B	BLACK ZINC NICKEL PLATE	2102453-6
B	NICKEL PLATE	2102453-5
A	BLACK ZINC NICKEL PLATE	2102453-4
A	NICKEL PLATE	2102453-3
NORMAL	BLACK ZINC NICKEL PLATE	2102453-2
NORMAL	NICKEL PLATE	2102453-1
KEYING OPTION	FINISH	PART NUMBER

KEY OPTION	KEY ROTATION	
	"R"	"S"
NORMAL	150°	210°
A	140°	215°
B	132°	248°

THIS DRAWING IS A CONTROLLED DOCUMENT. DIMENSIONING AND TOLERANCING PER ASME Y14.5M (ISO STANDARDS)

DIMENSIONS: INCHES [mm]	TOLERANCES UNLESS OTHERWISE SPECIFIED: 0 PLC ±- 1 PLC ±- 2 PLC ±- 3 PLC ±.005 [0.13] 4 PLC ±- ANGLES ±-	MATERIAL -	FINISH -	DWN MCKIBBEN, JOHN 18AUG2011 CHK DOWHOWER, KENNETH 18AUG2011 APVD DOWHOWER, KENNETH 18AUG2011	PRODUCT SPEC 108-2482 APPLICATION SPEC 114-32025 WEIGHT -	CUSTOMER DRAWING	SCALE 2:1	SHEET 1 OF 2	REV C
----------------------------	---	------------	----------	---	---	------------------	-----------	--------------	-------

TE Connectivity

PCB SQUARE FLANGE RECEPTACLE MOUNT ASSEMBLY

SIZE A3 CAGE CODE 00779 DRAWING NO C-2102453 RESTRICTED TO -

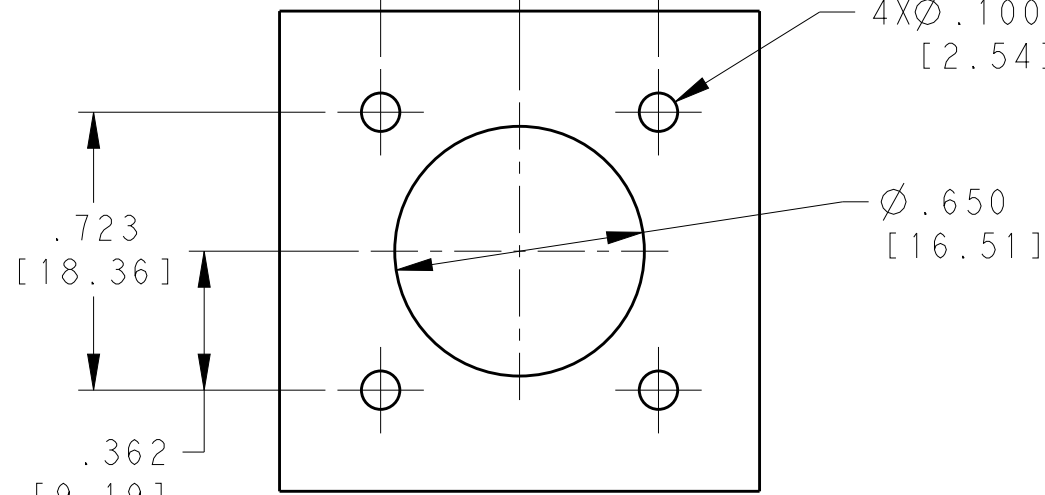
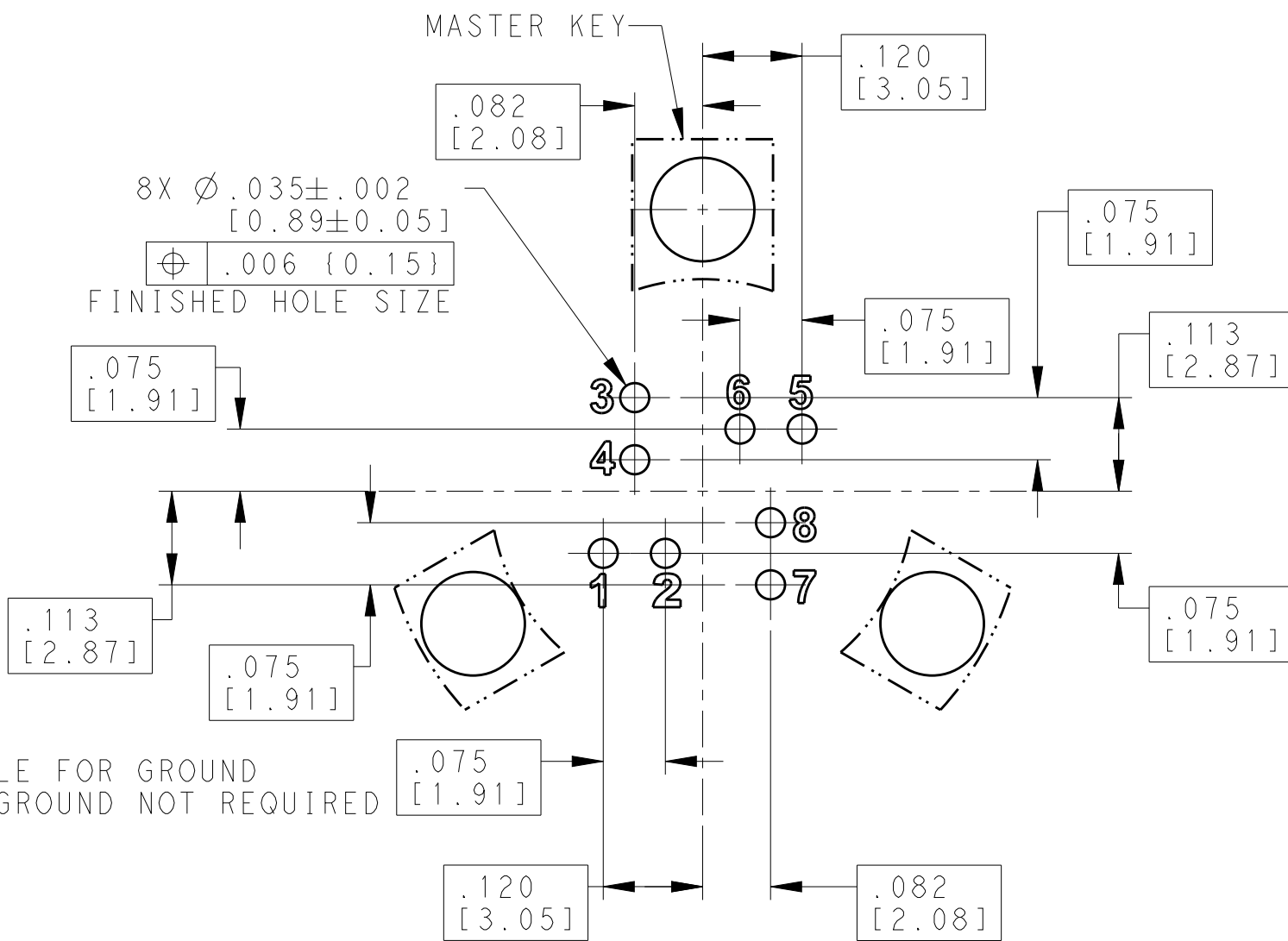
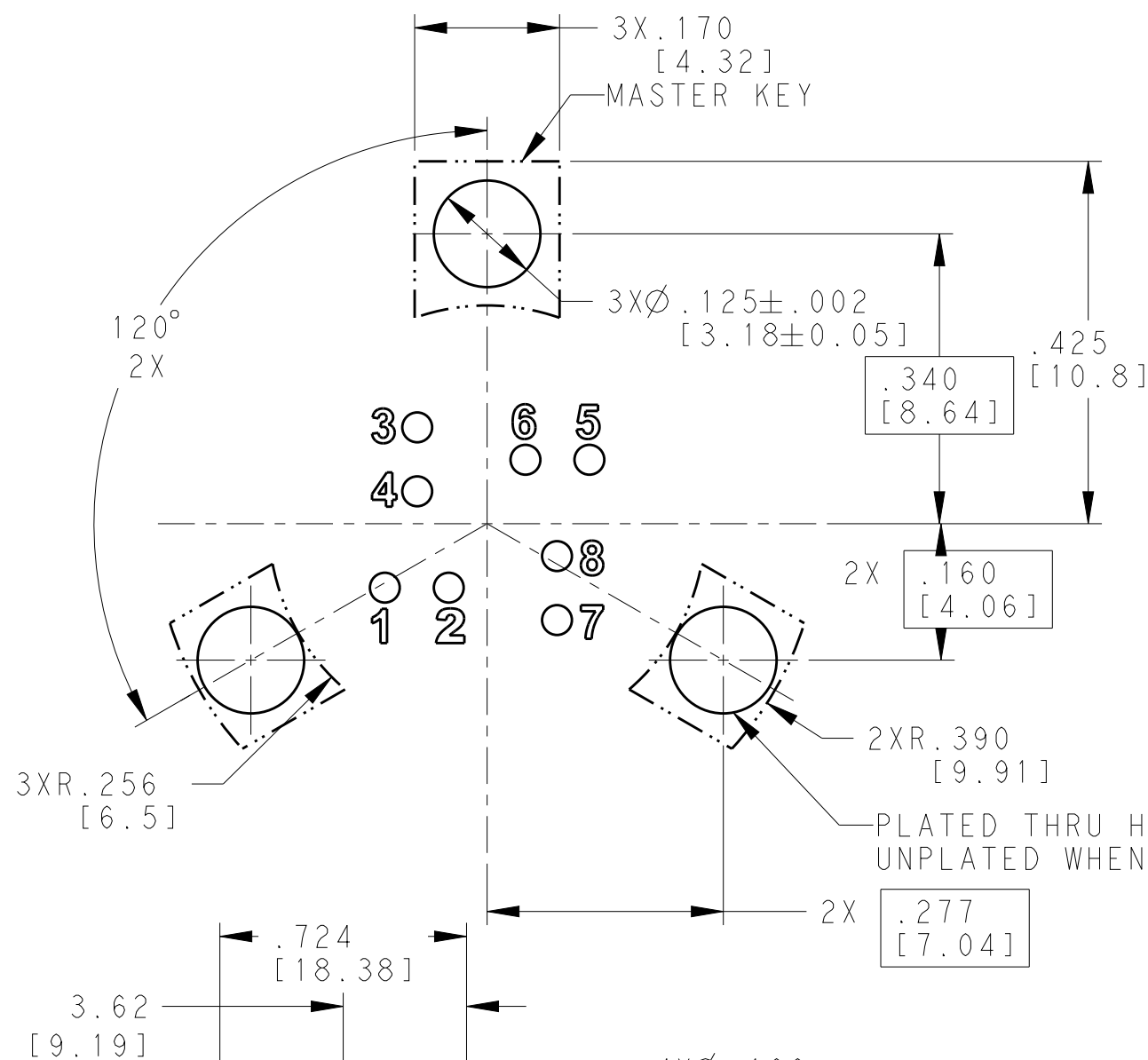
THIS DRAWING IS UNPUBLISHED.

RELEASED FOR PUBLICATION

© COPYRIGHT - BY - ALL RIGHTS RESERVED.

LOC	DIST	REVISIONS			
P	LTR	DESCRIPTION	DATE	DWN	APVD
-	-	SEE SHEET 1	-	-	-

# RECOMMENDED BOARD LAYOUT



# PANEL CUTOUT DIMENSIONS

THIS DRAWING IS A CONTROLLED DOCUMENT.  
 DIMENSIONING AND TOLERANCING PER  
 ASME Y14.5M (ISO STANDARDS)

DIMENSIONS:	TOLERANCES UNLESS OTHERWISE SPECIFIED:
INCHES [mm]	
	0 PLC $\pm$ -
	1 PLC $\pm$ -
	2 PLC $\pm$ -
	3 PLC $\pm$ .005 [0.13]
	4 PLC $\pm$ -
	ANGLES $\pm$ -
MATERIAL -	FINISH -

DWN	18AUG2011
MCKIBBEN, JOHN	
CHK	18AUG2011
DOWHOWER, KENNETH	
APVD	18AUG2011
DOWHOWER, KENNETH	
PRODUCT SPEC	-
APPLICATION SPEC	-
WEIGHT	-
CUSTOMER DRAWING	

TE Connectivity		NAME	
		PCB RECEPTACLE MOUNT ASSEMBLY	
SIZE	CAGE CODE	DRAWING NO	RESTRICTED TO
A3	00779	C-2102453	-
SCALE 1:1		SHEET 2 OF 2	REV C