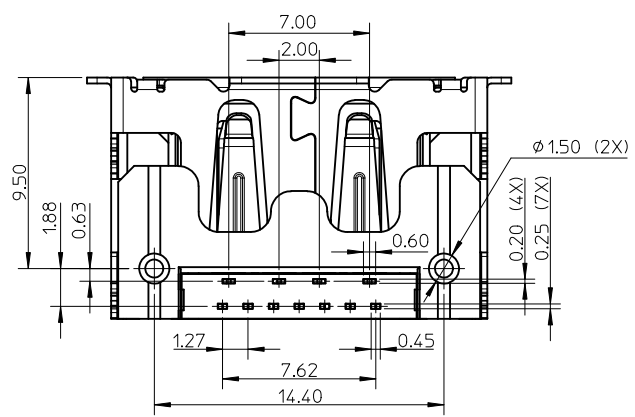
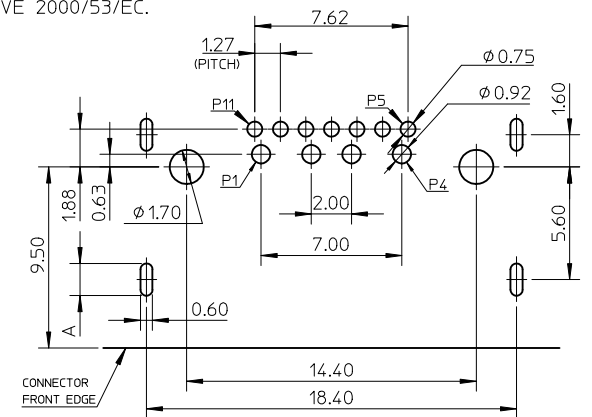
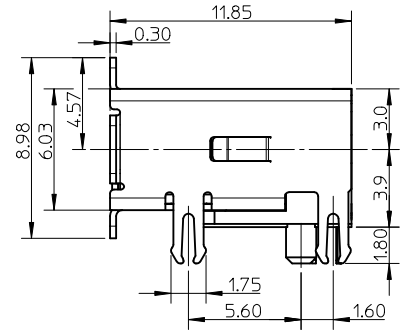
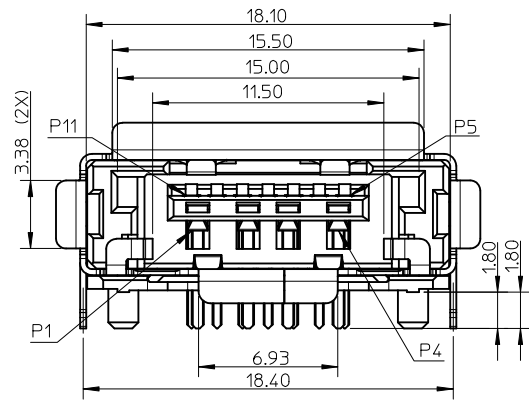


- NOTES:
- MATERIAL:
 - HOUSING: HIGH TEMPERATURE THERMOPLASTIC, 30% GLASS FILLED, BLACK, UL94V-0.
 - TAIL GUIDER: HIGH TEMPERATURE THERMOPLASTIC, 30% GLASS FILLED, BLACK, UL94V-0.
 - TERMINAL-1: COPPER ALLOY.
 - TERMINAL-2: COPPER ALLOY.
 - METAL SHELL: STAINLESS STEEL.
 - TERMINAL PLATING:
 - CONTACT AREA: GOLD PLATING. DETAIL SEE TABLE.
 - SOLDER AREA: 2.0 MICROMETRE MINIMUM MATTE TIN PLATING.
 - UNDER PLATING: 1.27 MICROMETRE MINIMUM NICKEL PLATING.
 - METAL SHELL PLATING: SOLDERABLE NICKEL PLATING.
 - DATE CODE: YYMMDD, 'YY' REPRESENTS YEAR, 'MM' REPRESENTS MONTH, 'DD' REPRESENTS DATE.
 - PRODUCT SPECIFICATION: PS-47403-001.
 - PACKAGE SPECIFICATION: PK-105125-001.
 - PRODUCT COMPLIANT TO RoHS DIRECTIVE 2002/95/EC AND ELV DIRECTIVE 2000/53/EC.



PIN ASSIGNMENT

USB		ESATA	
NAME	TYPE	NAME	TYPE
P1	VBUS	P5	GND
P2	D-	P6	A+
P3	D+	P7	A-
P4	GND	P8	GND
		P9	B-
		P10	B+
		P11	GND

105125-2002	0.76 MICROMETRE MIN. GOLD PLATING
105125-2001	0.38 MICROMETRE MIN. GOLD PLATING
105125-2000	GOLD FLASH
P/N	CONTACT AREA PLATING

RECOMMEND PCB LAYOUT, T=1.2mm
PCB TOLERANCE: ±0.05

DIMENSION-A	BOARDLOCK FUNCTION
1.6	AVAILABLE
1.9	UNAVAILABLE

<p>NEW RELEASE</p> <p>EC NO: SH2010-0450</p> <p>DRWN:XQZHANG 2010/05/31</p> <p>CHKD:GLLI 2010/06/04</p> <p>APPR:XJSONG 2010/06/29</p>	<p>QUALITY SYMBOLS</p> <p>F_A=0</p> <p>F_C=0</p> <p>F_P=0</p>	<p>GENERAL TOLERANCES (UNLESS SPECIFIED)</p> <table border="1"> <thead> <tr> <th></th> <th>mm</th> <th>INCH</th> </tr> </thead> <tbody> <tr> <td>4 PLACES</td> <td>± ---</td> <td>± ---</td> </tr> <tr> <td>3 PLACES</td> <td>± ---</td> <td>± ---</td> </tr> <tr> <td>2 PLACES</td> <td>± 0.25</td> <td>± ---</td> </tr> <tr> <td>1 PLACE</td> <td>± 0.25</td> <td>± ---</td> </tr> </tbody> </table>			mm	INCH	4 PLACES	± ---	± ---	3 PLACES	± ---	± ---	2 PLACES	± 0.25	± ---	1 PLACE	± 0.25	± ---	<p>DIMENSION STYLE</p> <p>MM ONLY</p>	<p>SCALE</p> <p>4:1</p>	<p>DESIGN UNITS</p> <p>METRIC</p>	<p>THIRD ANGLE PROJECTION</p>
			mm	INCH																		
		4 PLACES	± ---	± ---																		
		3 PLACES	± ---	± ---																		
2 PLACES	± 0.25	± ---																				
1 PLACE	± 0.25	± ---																				
<p>DRAWN BY</p> <p>XQZHANG</p>		<p>DATE</p> <p>2010/01/06</p>		<p>TITLE</p> <p>COMBO ESATA AND USB CONNECTOR TOP MOUNT TYPE</p>																		
<p>CHECKED BY</p> <p>XJSONG</p>		<p>DATE</p> <p>2010/01/06</p>		<p>MOLEX INCORPORATED</p>																		
<p>APPROVED BY</p> <p>XJSONG</p>		<p>DATE</p> <p>2010/01/06</p>		<p>SD-105125-200</p>																		
<p>MATERIAL NO.</p> <p>SEE TABLE</p>		<p>DOCUMENT NO.</p> <p>SEE TABLE</p>		<p>SHEET NO.</p> <p>1 OF 1</p>																		
<p>DRAFT WHERE APPLICABLE MUST REMAIN WITHIN DIMENSIONS</p>																						
<p>THIS DRAWING CONTAINS INFORMATION THAT IS PROPRIETARY TO MOLEX INCORPORATED AND SHOULD NOT BE USED WITHOUT WRITTEN PERMISSION</p>																						