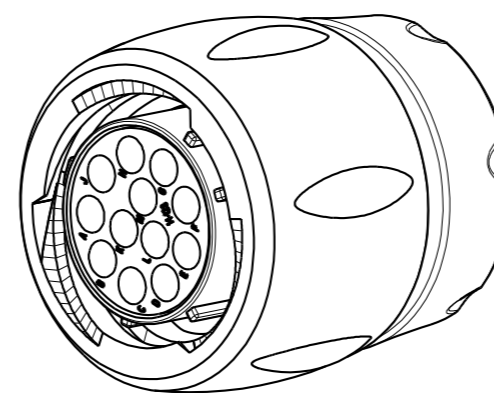
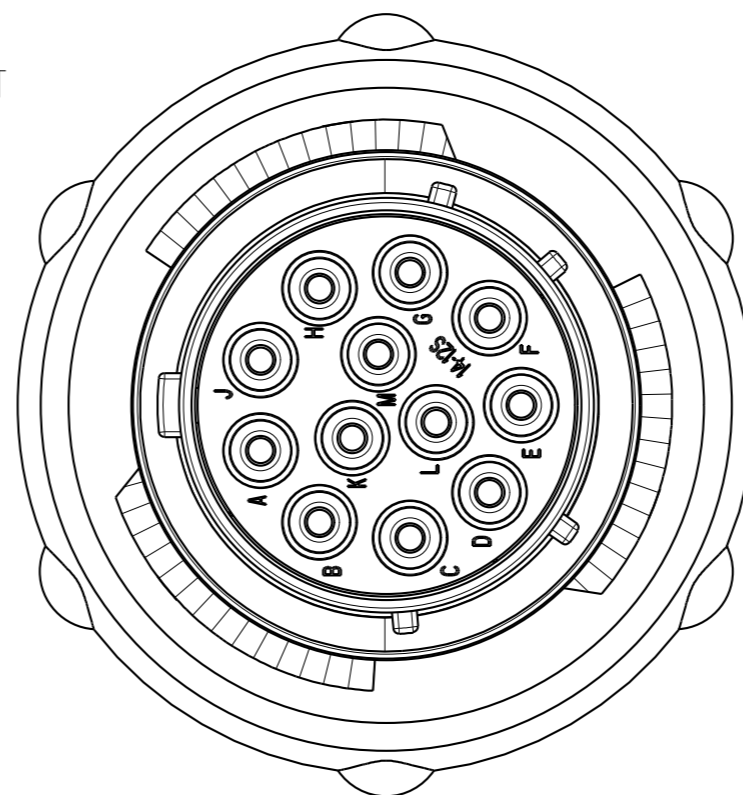


COUPE B-B  
EHELLE 3/1

MATING FACE



**MATERIAL :**

Coupling Nut: Polyamid UL94 V-0  
 Inset: Polyamid UL94 V0  
 Backshell body : Polyamid UL94 V-0  
 Backshell nut: Polyamid UL94 V-0  
 Shell : Polyamid UL94 V-0  
 Coupling spring : Stainless steel  
 O'seal : Nitril

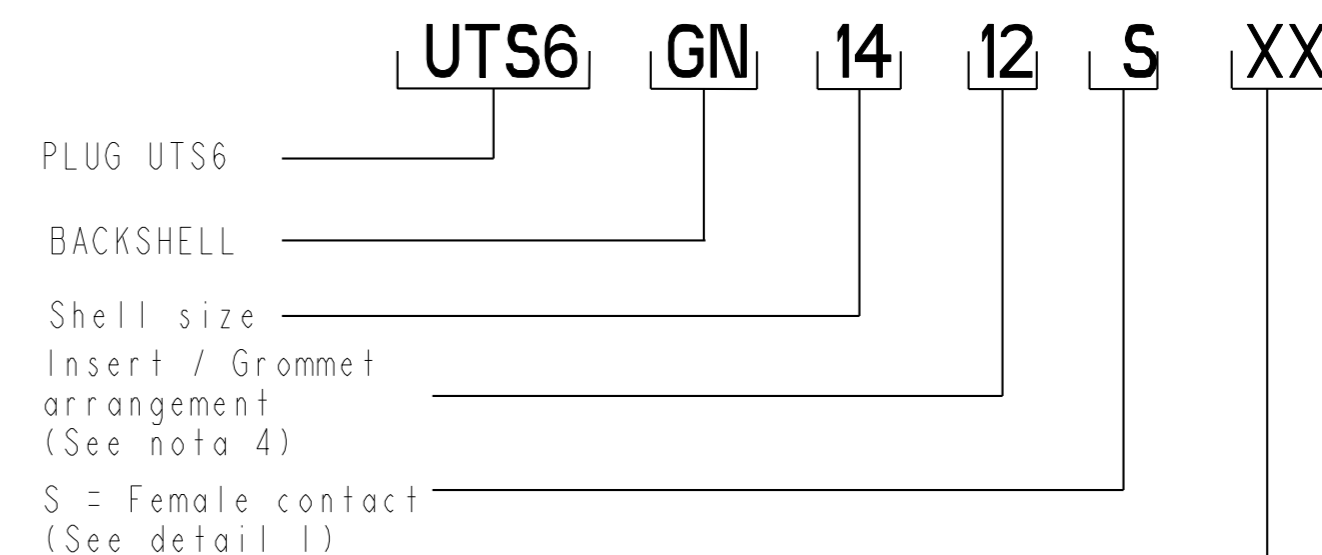
**PERFORMANCE CHARACTERISTICS :**

Operating temperature: -40°C up to 105°C  
 Insulation resistance: 5000 MΩmin  
 Test potential: 2000 Vrms for #16 layout and 1500Vrms for #20 layout  
 Corrosion salt spray: 500 hours  
 Durability: 250 matings and unmatings  
 Sealing in mated conditions:  
 -IP68 1 bar during 1 week : immersion under 10 m of water.  
 (IEC 60529)  
 -IP69K : exposure to high pressure water of cleaning  
 equipment (DIN 40050)

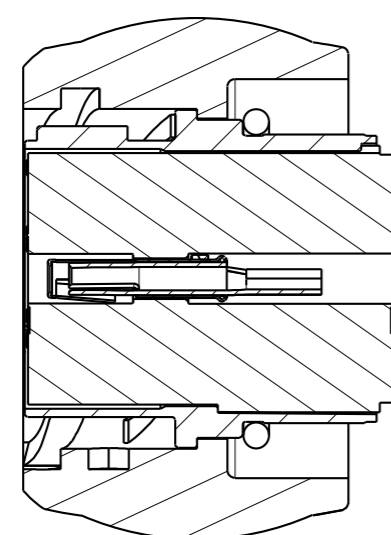
**NOTES :**

- 1- Plug, backshell and the reducing seal are delivered as a kit. The backshell already includes the standard seal.
- 2- Contact to be ordered separately : refer to TRIM TR10 catalog
- 3- Colored ring to be ordered separately refer to customer drawing C006-UTSI-A
- 4- developed Grommet arrangements : refer to C042-UTSI-A
- 5- for wiring instructions, refer to BT214

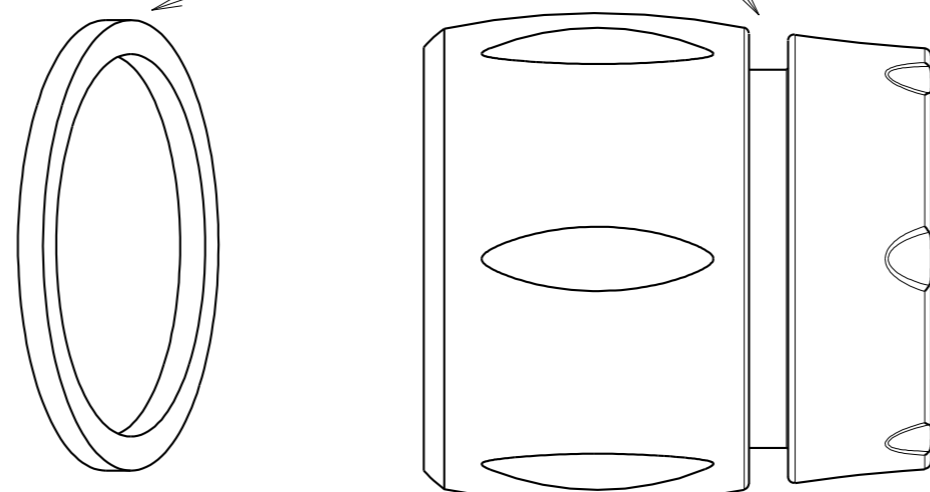
SHELL SIZE	LAYOUT	∅A	B MINI
14	SEE NOTA 4	34.60	32
12	SEE NOTA 4	29.70	32.3
10	SEE NOTA 4	26.20	32.5



**FEMALE CONNECTOR**  
(detail 1)



COLORED RING  
(see nota 3)



CUSTOMER DRAWING

c	05/02/08	--	Add shell size 14 and 12	--
ISS	DATE	Latest modification - by: RAGAINÉ M.		MOD N°
Designed by: <b>RAGAINÉ M.</b>		Date: 07/06/07		CUSTOMER DRAWING
TITLE		CABLE PLUG + BACKSHELL NUT UTS CONNECTOR		
Scale	2/1	General linear Tolerances: ±0.1	NPRDS / PROJECT <b>UTSI</b>	
		WWW.SOURIAU.COM		This document is the property of SOURIAU. It must not be reproduced or communicated without permission.
FORMAT	A2	SOURIAU DRG N° CO28-UTSI-A		SHEET
				<b>NOT EXPORT CONTROLLED</b>