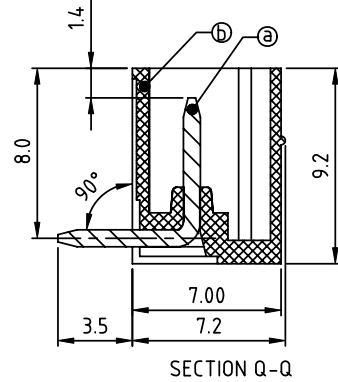
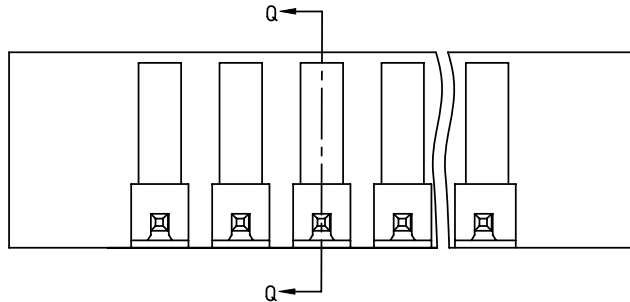
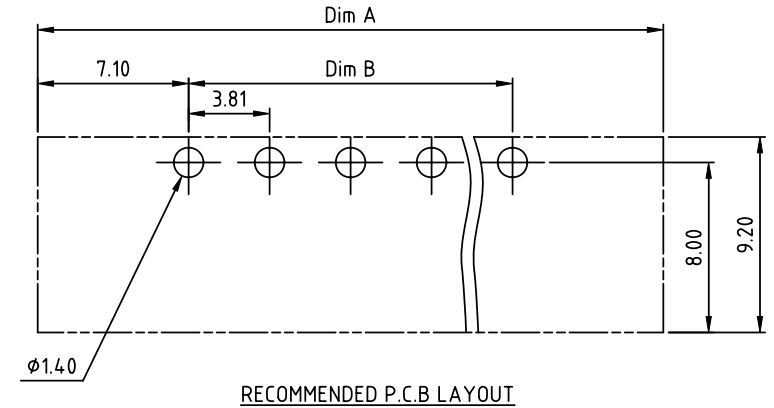
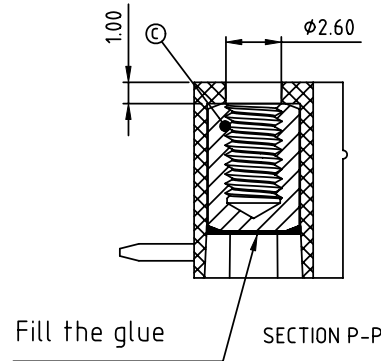
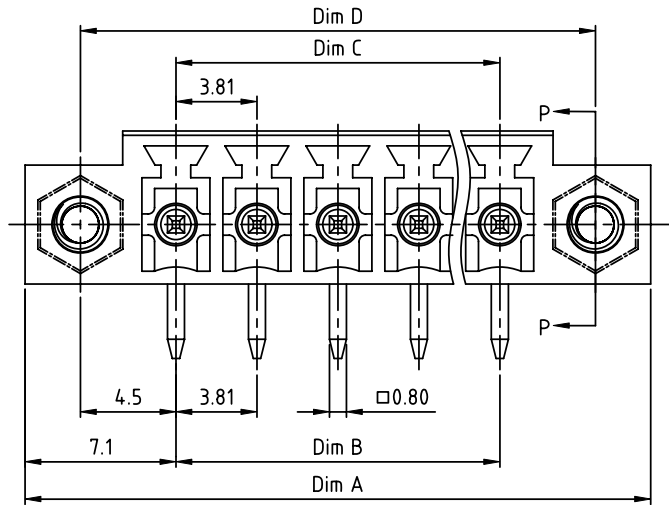


PRODUCT NUMBER	PITCH
OQxx35x100J0G	3.81 mm



Material:

- Item ① Male contact pin: Copper ,Tin plated
- Item ② Terminal housing: Thermoplastic (UL94V-0)
- Item ③ Flange nut: Brass M2.5

Electrical:

- Voltage rating: 300V/300V
- Current rating: 10A/10.5A
- Withstanding Voltage: 1.6 KV/2.5KV
- Operating temperature: -40°C to +115°C
- Soldering temperature: 260°C±5°C/5 Sec
- Safety Approval:

DIMENSION

Dim A	(N-1)×3.81+14.2
Dim B&C	(N-1)×3.81
Dim D	(N-1)×3.81+9.0

N= Number of poles

Poles	Tolerance
2p-6p	±0.15
7p-12p	±0.20
13p-16p	±0.25
17p-24p	±0.30

PART NO.: OQ xx 3 5 x 1 00J0 G

- | | | |
|--------------|---------------------|-----------------|
| No. of poles | 0 Black (RAL9005) | RoHS compliant |
| 02 2 poles | 2 Red (RAL3001/D) | (lead<4%) |
| 03 3 poles | 3 Orange(RAL2011/P) | In copper Alloy |
| ... | 4 Yellow(RAL1018/A) | |
| 24 24 poles | 5 Green(RAL6018/T) | |
| | 6 Blue (RAL5015/A) | |
| | 8 Grey(RAL7035/D) | |
| | 9 White(RAL1102) | |
| | C Green(RAL6018/U) | |

mat'l. code		surface ASME Y14.5	tolerance ASME Y14.5	projection	product family
ltr	ecn no	dr	date		TERMINAL BLOCK
				tolerances unless otherwise specified	title
				angles	TERMINAL BLOCK
				parallel	PLUGGABLE SOCKET, WITH FLANGE, RIGHT ANGLE
				X°±1°	scale
				X.XX±0.1	FCI
		dr	HANKE FENG 032714		dwg no
		enr	HANKE FENG 032714		sheet 1 of 1
		chr	SHI JUN 032714		size
		appd	SHI JUN 032714		OQxx35x100J0G
					A4
sheet index	revision	A			type
	sheet	1			CUSTOMER Drawing