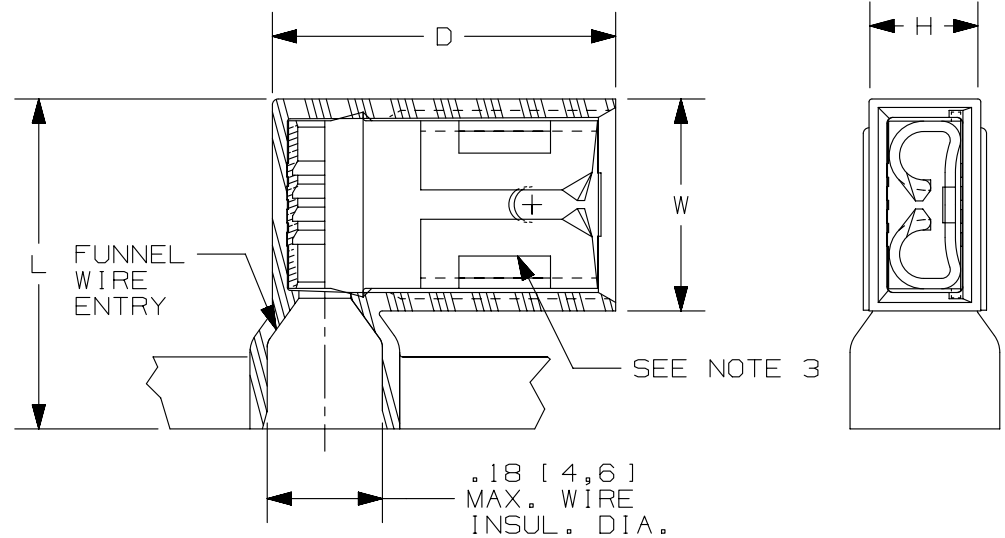


THIS COPY IS PROVIDED ON A RESTRICTED BASIS AND IS NOT TO BE USED IN ANY WAY DETRIMENTAL TO THE INTERESTS OF PANDUIT CORP.

PANDUIT PART #	TAB SIZE in. [mm]	WIRE RANGE		COLOR	DIMENSIONS in. [mm]			
		ENGLISH AWG.	METRIC mm ²		L ± .03 [0,8]	W ± .01 [0,3]	D ± .03 [0,8]	H ± .02 [0,5]
DPFR18250FIB	.250 X .032 [6,3 X 0,8]	22-18	0,5-1,5	RED	.57 [14,5]	.37 [9,4]	.60 [15,2]	.21 [5,3]
DPFR18205FIB	.205 / .187 X .032 [5,2 / 4,7 X 0,8]	22-18	0,5-1,5		.57 [14,5]	.37 [9,4]	.60 [15,2]	.21 [5,3]

NOTES:

- USED FOR:
 - A. STRANDED COPPER WIRE ONLY
 - B. 221°F [105°C] MAX. OPERATING TEMPERATURE
- MATERIAL:
 - A. STAMPING: .018 [0,46] TIN PLATED BRASS
 - B. HOUSING: NYLON, RED
- CURL SLOTS: DPFR18205FIB - ONLY
- INSTALLATION TOOLS:
 - A. RECOMMENDED TOOLS: CP-860, CP-861, CP-851, CP-862
 - APPLICATOR: CA-800, CA9, CA-800EZ
 - CRIMP DIE: CD800-9, CD9-9C
- WIRE STRIP LENGTH: 11/32" ^{+1/32} [8,7 ^{+0,8}]
- SEE www.panduit.com FOR PACKAGE QUANTITIES INDICATED BY PART NUMBER SUFFIX
- DIMENSIONS IN BRACKETS ARE METRIC EQUIVALENT



REV	DATE	BY	CHK	APR	DESCRIPTION	ECN
02	11.02.12	JBN	LCA	VMB	ADDED METRIC EQUIVALENTS UPDATED DRAWING TO CURRENT STANDARDS	A41739

TITLE		RIGHT ANGLE FEMALE DISCONNECTS, FULLY INSULATED		
ITEM REVISION NAME		CUSTOMER DRAWING		
DATASET FILE NAME		N41739BA/02		
DATASET FILE NAME		N41739BA_DC/02A		
UNLESS OTHERWISE SPECIFIED, DIMENSIONAL TOLERANCES ARE: IN [mm]		MATERIAL:		
.x ± .1 [2.54] .xxx ± .005 [.127]		SEE NOTES		
.xx ± .01 [.25] ANGLES ± 5°		DRAWING NUMBER:		
THIRD ANGLE PROJECTION		A41739		
DRAWN BY	DATE	CHK	SCALE	SIZE
MG	-	-	N.T.S.	A

D10100DA/15