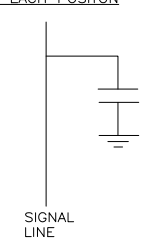


CAPACITANCE SCHEMATIC FOR EACH POSITION



ORDERING CODE: F C E 1 7 - E 0 9 P B - 4 4 B G

SERIES FCE17=FILTERED D-SUB, RoHS

SIZE/NUMBER OF CONTACTS E09, A15, B25, OR C37

CONNECTOR STYLE P=PIN S=SOCKET

TERMINATION TYPE B=.405 [10.29] FOOTPRINT

MOUNTING 2=.120 [3.05] DIA THROUGH HOLE 3=#4-40 UNC SELF-LOCKING THREAD 4=#4-40 UNC THREAD 6=M3 x 0.5 THREAD E=CODE 4 MOUNTING WITH #4-40 UNC HEX JACK SOCKET SUPPLIED. F=FIXED FRONT JACK SOCKET #4-40 UNC

CONTACT FINISH/GOLD THICKNESS NO DIGIT=STANDARD 15 MICRONS [0.38 MICRONS] GOLD ON MATING AREA G=50 MICRONS [1.27 MICRONS] GOLD ON MATING AREA

MODIFIER B=METAL MOUNTING BRACKETS

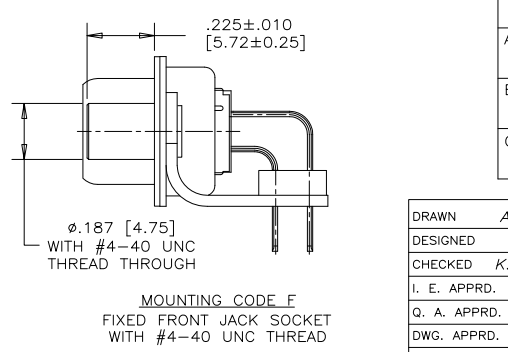
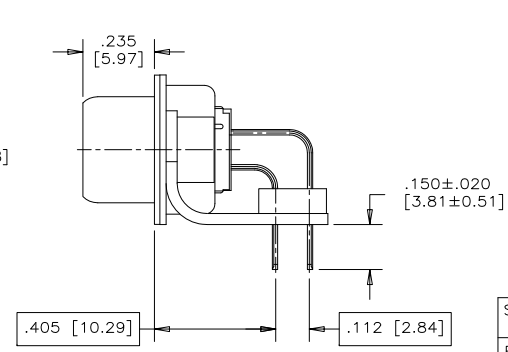
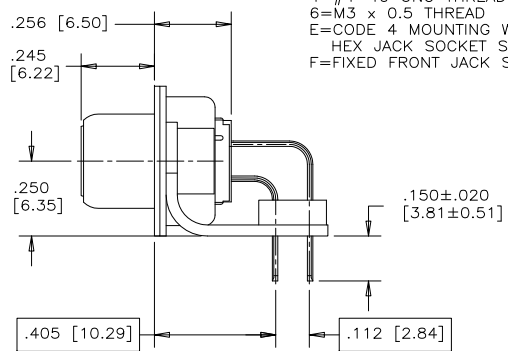
FILTER CAPACITANCE D=50 pF 5=1000 pF B=100 pF 7=1200 pF O=180 pF 6=1300 pF F=330 pF J=1500 pF L=380 pF E=2200 pF 1=470 pF 9=5600 pF 4=820 pF 8=47000 pF N=NO FILTERS

REFER TO AMPHENOL CATALOGUE FOR FILTER PERFORMANCE CHARACTERISTICS



NOTES:

- MATERIALS: ALL MATERIALS ARE RoHS COMPLIANT.
 - SHELL: STEEL, TIN PLATED
 - CONTACTS: PHOSPHOR BRONZE, GOLD PLATED OVER 50µ" [1.27 MICRONS] NICKEL IN THE MATING AREA AND 100µ" [2.54 MICRONS] MIN. MATTE TIN ON THE TAILS.
 - INSULATOR: ENGINEERING THERMOPLASTIC, GLASS REINFORCED, UL FLAMMABILITY RATING 94V-0, COLOUR: BLACK
 - MOUNTING HARDWARE, STEEL OR COPPER ALLOY, TIN OR NICKEL PLATED.
- CONTACT RESISTANCE: 15 MILLIOHMS MAXIMUM
- INSULATION RESISTANCE: 3000 MEGOHMS MINIMUM
- CURRENT RATING: 5 AMPS MAXIMUM
- OPERATING TEMPERATURE: -40°C TO 85°C
- TOLERANCE ±.005 [0.13] UNLESS INDICATED OTHERWISE.



SIZE	STYLE	A±.015 [0.38]	B±.005 [0.13]	C±.005 [0.13]	D±.005 [0.13]	E BSC.
E09	PIN	1.213 [30.81]	-----	.666 [16.92]	.984 [24.99]	.432 [10.97]
	SOCKET	-----	.643 [16.33]	-----	-----	-----
A15	PIN	1.541 [39.14]	-----	.994 [25.25]	1.312 [33.32]	.756 [19.20]
	SOCKET	-----	.971 [24.66]	-----	-----	-----
B25	PIN	2.088 [53.04]	-----	1.534 [38.96]	1.852 [47.04]	1.304 [33.12]
	SOCKET	-----	1.511 [38.38]	-----	-----	-----
C37	PIN	2.729 [69.32]	-----	2.182 [55.42]	2.500 [63.50]	1.956 [49.68]
	SOCKET	-----	2.159 [54.84]	-----	-----	-----

DRAWN	A.CHENG	DATE	JAN12/06
DESIGNED			
CHECKED	K.LAMBIE	DATE	JAN12/06
I. E. APPRD.			
Q. A. APPRD.			
DWG. APPRD.			
ENG. REL. NO.			
REF.	EAR 12900		
DIMENSIONS ARE IN INCHES [mm]		CODE ID. NO.	03554

Amphenol Canada Corp.

FCE17 SERIES FILTERED D-SUB CONNECTOR, PIN & SOCKET, RIGHT ANGLE .405 [10.29] F/P, METAL MOUNTING BRACKET, RoHS COMPLIANT

DWG	DRAWING NO.	REV.
C	P-FCE17-XXXXB-XXBX	E
SCALE	3/1	WT. -----
SURF.	-----	SHEET 1 of 1

THIS DOCUMENT CONTAINS PROPRIETARY INFORMATION AND SUCH INFORMATION MAY NOT BE DISCLOSED TO OTHERS FOR ANY PURPOSE OR USED FOR MANUFACTURING PURPOSES WITHOUT WRITTEN PERMISSION FROM AMPHENOL CANADA CORP.