



# 120×120×38 mm

**San Ace 120 9SG type** Model 9SG1224H101 is not certified.

## General Specifications

- Material ..... Frame: Aluminum, Impeller: Plastic (Flammability: UL 94V-1)
- Expected life ..... See the table below. (L10 life: 90% survival rate for continuous operation in free air at 60°C, rated voltage)
- Motor protection function ..... Locked rotor burnout protection, Reverse polarity protection  
For details, please refer to p. 529.
- Dielectric strength ..... 50/60 Hz, 500 VAC, for 1 minute (between lead wire conductors and frame)
- Insulation resistance ..... 10 MΩ or more with a 500 VDC megger (between lead wire conductors and frame)
- Sound pressure level (SPL) ..... At 1 m away from the air inlet
- Storage temperature ..... -30 to +70°C (Non-condensing)
- Lead wire ..... ⊕Red ⊖Black or Blue (Sensor) Yellow
- Mass ..... 400 g

## Specifications

The models listed below **have pulse sensors**.

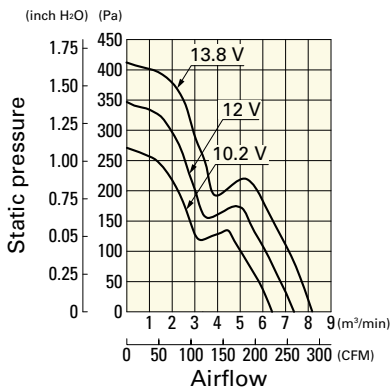
Model no.	Rated voltage [V]	Operating voltage range [V]	Rated current [A]	Rated input [W]	Rated speed [min <sup>-1</sup> ]	Max. airflow [m <sup>3</sup> /min] [CFM]	Max. static pressure [Pa] [inchH <sub>2</sub> O]	SPL [dB (A)]	Operating temperature [°C]	Expected life [h]
<b>9SG1212G101</b>	12	10.2 to 13.8	4.0	48.0	6000	7.35 260	340 1.37	64	-20 to +70	40000/60°C
<b>9SG1224G101</b>	24	20.4 to 27.6	2.0	48.0	6000	7.35 260	340 1.37	64		
<b>9SG1224H101</b>			0.46	11.0	3400	4.02 142	126 0.51	48		
<b>9SG1248G101</b>	48	40.8 to 55.2	1.0	48.0	6000	7.35 260	340 1.37	64		

Other sensor specifications are available as options. Refer to the index (p. 558).

## Airflow - Static Pressure Characteristics

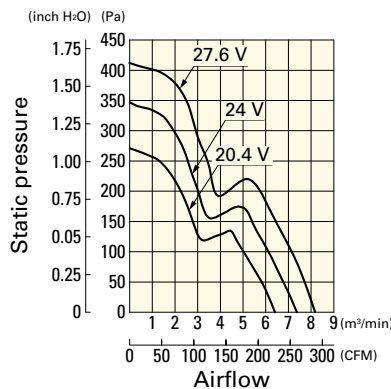
**9SG1212G101** With pulse sensor

Operating voltage range



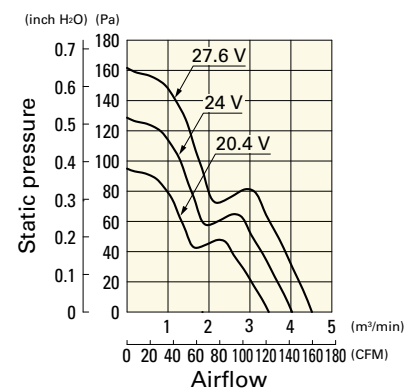
**9SG1224G101** With pulse sensor

Operating voltage range



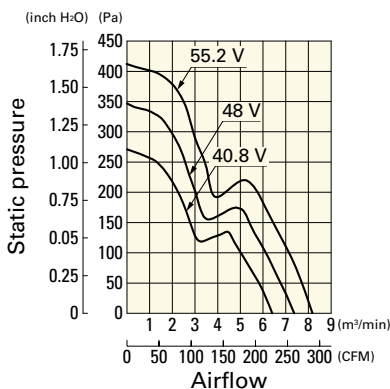
**9SG1224H101** With pulse sensor

Operating voltage range

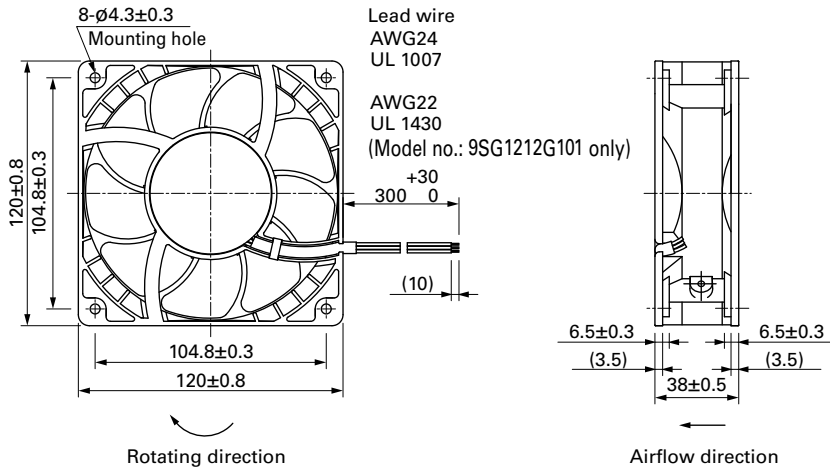


**9SG1248G101** With pulse sensor

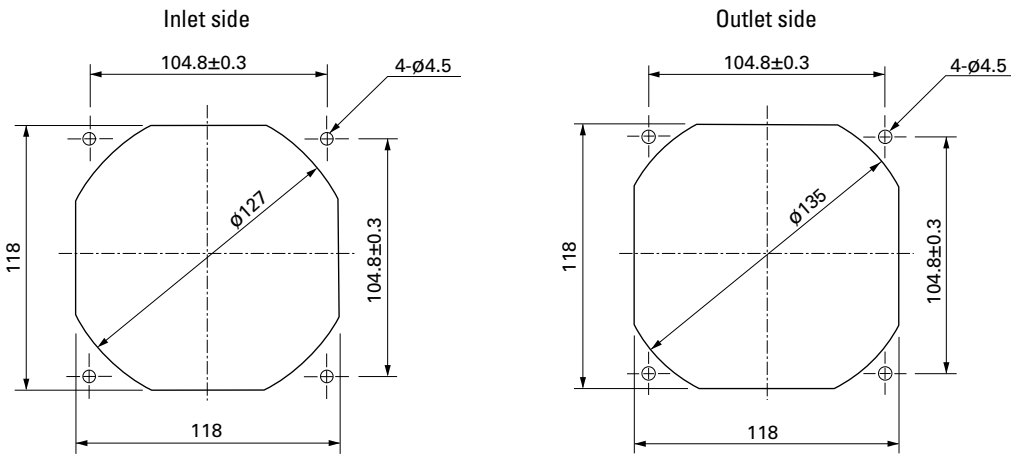
Operating voltage range



## Dimensions (unit: mm)



## Reference Dimensions of Mounting Holes and Vent Opening (unit: mm)



## Options

### Finger guards

page: p. 514

Model no.: 109-019C, 109-019H, 109-019E, 109-019K

### Resin finger guards

page: p. 520

Model no.: 109-1000G

### Resin filter kits

page: p. 521

Model no.: 109-1000F13 (13PPI), 109-1000F20 (20PPI),  
109-1000F30 (30PPI), 109-1000F40 (40PPI)