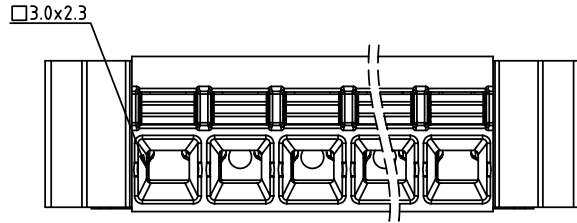


PRODUCT NUMBER	PITCH
KDxx50x200J0G	5.08 mm



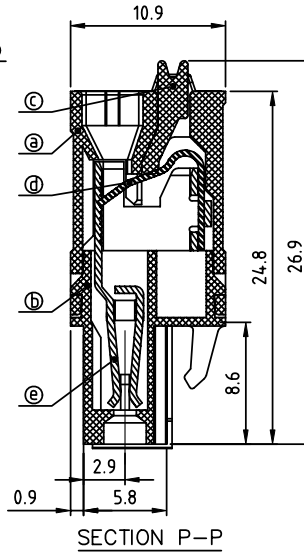
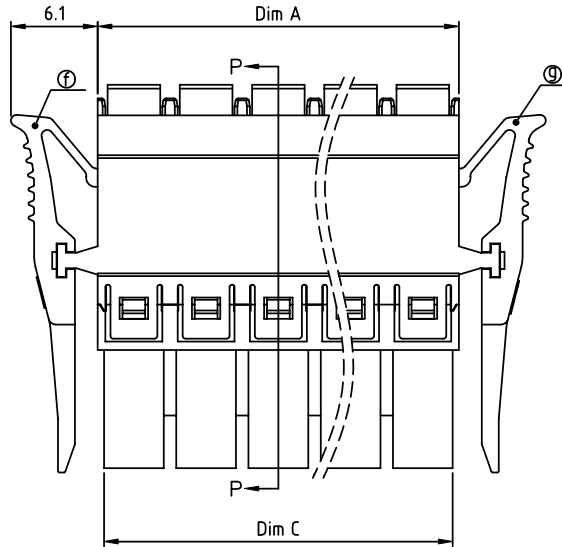
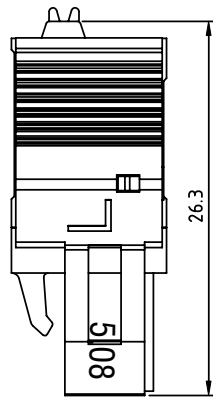
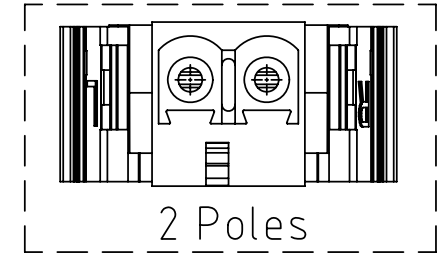
Dim A=N×5.08
Dim B=(N-1)×5.08
Dim C=(N-1)×5.08+4.2

N=Number of poles

POLES	Tolerance
2p-6p	±0.15
7p-12p	±0.25
13p-18p	±0.35
19p-24p	±0.40

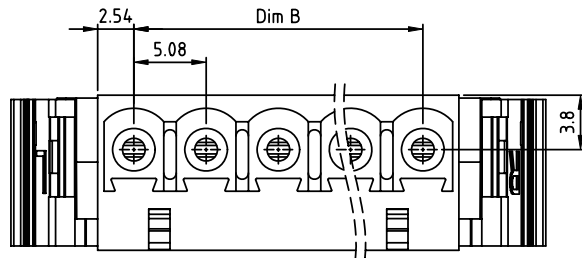
PART NO.: KD xx 5 0 x 2 00J0 G

Solid block	No. of poles	Color	RoHS compliant (lead<4%) In copper Alloy
0	2	Black (RAL9005)	
02	2 poles	Red (RAL3001/D)	
03	3 poles	Orange(RAL2011/P)	
...	...	4 Yellow(RAL1018/A)	
...	...	5 Green(RAL6018/T)	
24	24 poles	6 Blue (RAL5015/A)	
		8 Grey(RAL7035/D)	
		9 White(RAL1102)	
		C Green(RAL6018/U)	



- Material:
- Item①Top body: Thermoplastic (UL94V-0)
  - Item②Bottom body: Thermoplastic (UL94V-0)
  - Item③Terminal Lever: Thermoplastic (UL94V-0) Orange (RAL2001/P)
  - Item④Spring clamp: Stainless steel
  - Item⑤Female contact: PhBz Tin Plated.
  - Item⑥Terminal(Left latch):Thermoplastic (UL94V-0)
  - Item⑦Terminal(Right latch):Thermoplastic (UL94V-0)

- Electrical:
- Voltage rating: 300 V
  - Current rating: 12 A
  - Wire range:
    - Solid wire(AWG): 14-24
    - Stranded wire(AWG): 14-24
  - Wire strip length: 11-12 mm
  - Withstanding Voltage: 1.6 KV
  - Operating temperature: -40°C to +115°C
  - Safety Approval:



mat'l. code	surface ASME Y14.5	tolerance ASME Y14.5	projection	product family TERMINAL BLOCK	
ltr	ecn	no	dr	date	title TERMINAL BLOCK
tolerances unless otherwise specified					
angles	0.1	X.±0.5	MM	scale	title TERMINAL BLOCK
X°±1°	0.1	X.X±0.3			
dr	EVIN ZHONG	052014			title SPRING CLAMP,PLUGGABLE PLUG,WITH LATCH
enr	EVIN ZHONG	052014			
chr	HANKE FENG	052014			title CUSTOMER Drawing
appd	SHI JUN	052014			
sheet index	revision sheet	A	1		dwg no KDxx50x200J0G
					sheet 1 of 1
					size A4