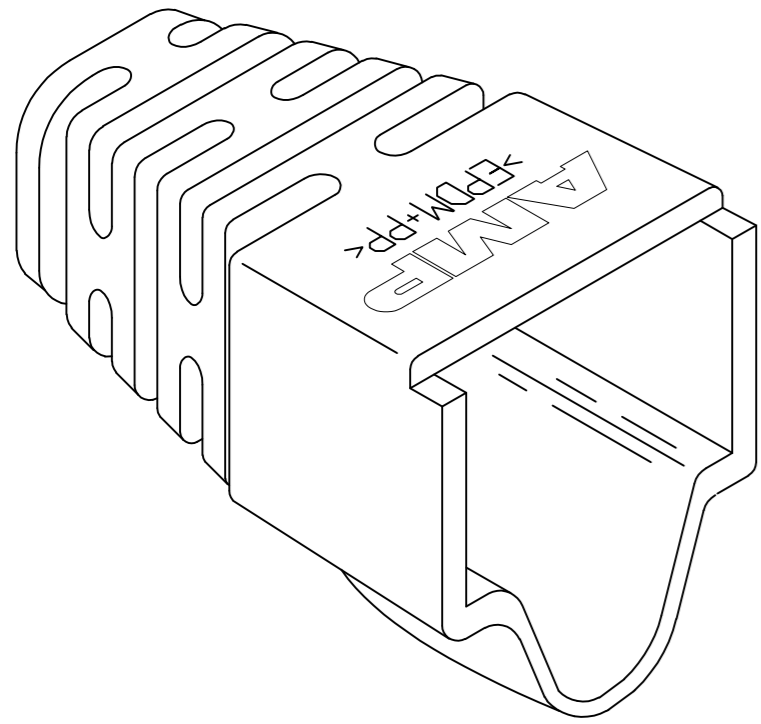
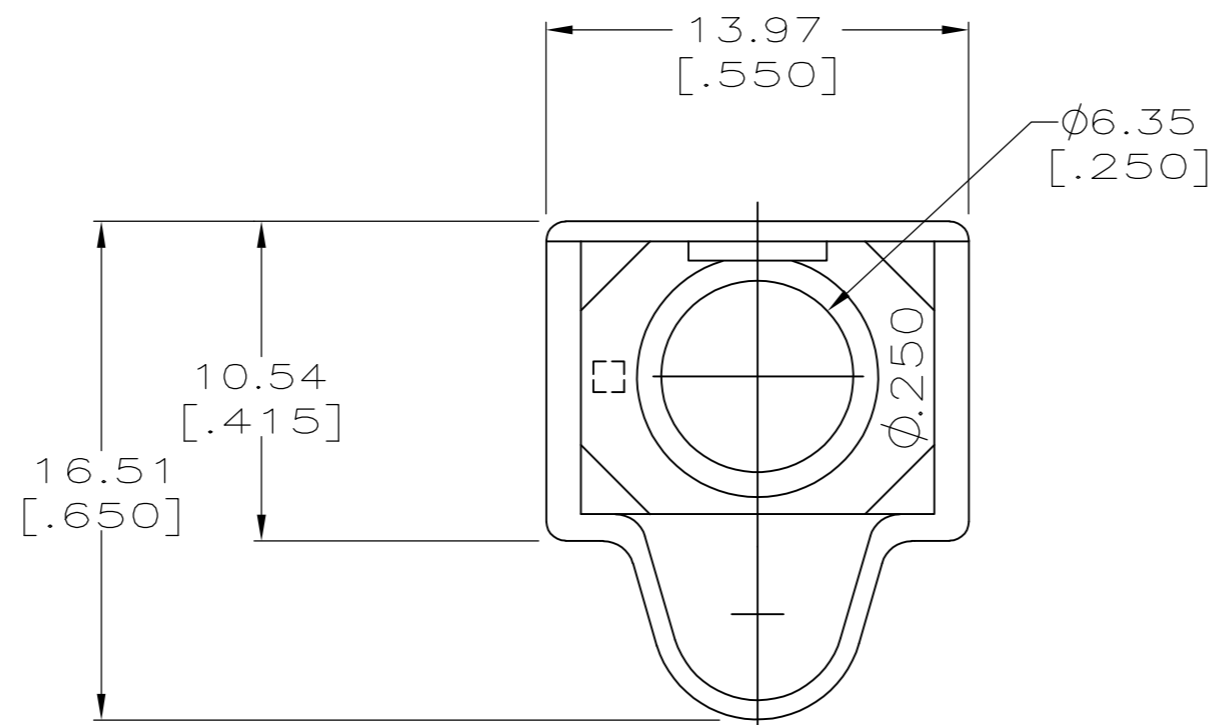
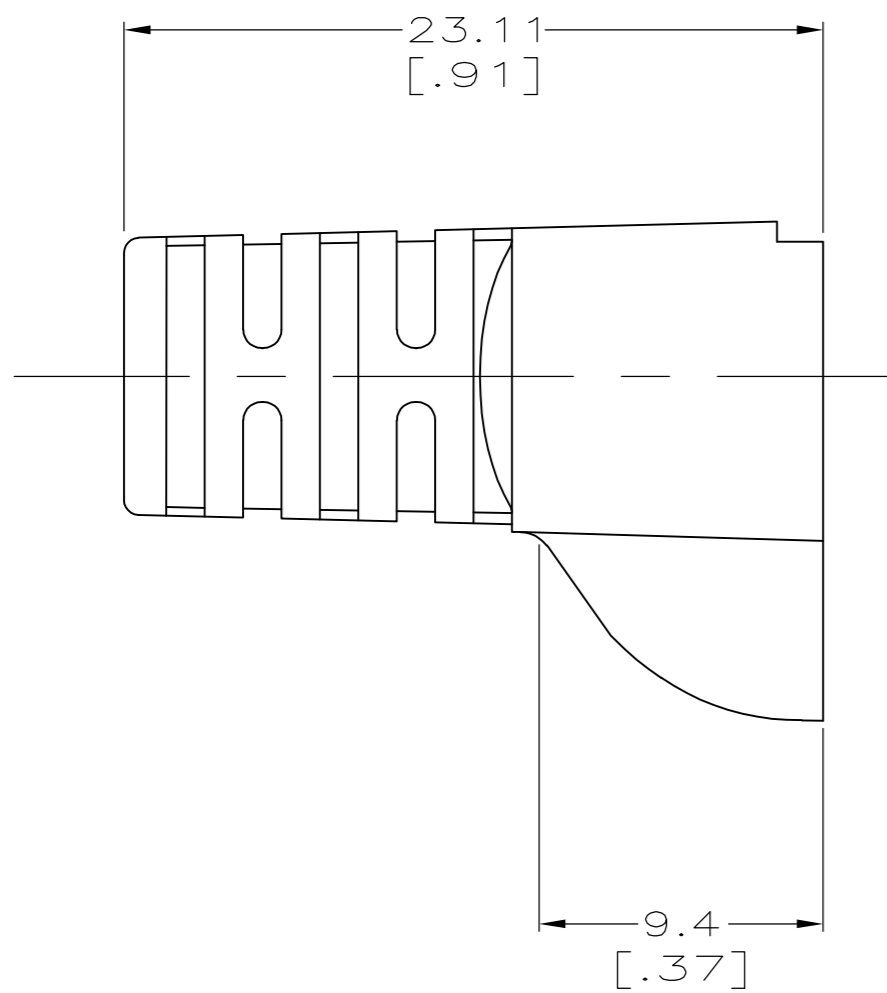


THIS DRAWING IS UNPUBLISHED. RELEASED FOR PUBLICATION
 © COPYRIGHT - By - ALL RIGHTS RESERVED.

LOC	DIST	REVISIONS					
AA	28	P	LTR	DESCRIPTION	DATE	DWN	APVD
		A1		REVISED PER ECO-11-005033	22MAR11	RK	HMR



- 1 MATERIAL: ELASTOMER POLYOLEFIN, SEE TABLE FOR COLOR.
- 2 DIMENSIONS ARE NOMINAL UNLESS OTHERWISE SPECIFIED.
- 3. BOOT DESIGNED TO FIT CABLE DIAMETER OF .250 NOMINAL, AMP SHIELDED MODULAR PLUGS AND EXTERNAL STRAIN RELIEF 558527-3.



NEMA GY	1-569877-0
VIOLET	569877-9
WHITE	569877-8
ORANGE	569877-7
YELLOW	569877-6
BLUE	569877-5
GREEN	569877-4
RED	569877-3
LT ALMOND	569877-2
BLACK	569877-1
COLOR	PART NUMBER

THIS DRAWING IS A CONTROLLED DOCUMENT.		DWN DL DRUMMOND 22 FEB 96	TE TE Connectivity	
DIMENSIONS: mm [INCHES]		CHK D. AHERON 07 MAR 96		
TOLERANCES UNLESS OTHERWISE SPECIFIED:		APVD B. ANTHONY 07 MAR 96	NAME BOOT, HOODED, ϕ .250	
0 PLC ± -		PRODUCT SPEC	SIZE CAGE CODE DRAWING NO RESTRICTED TO	
1 PLC ± -		APPLICATION SPEC	A2 00779 C=569877	
2 PLC ± -		WEIGHT -	SCALE 4:1 SHEET 1 of 1 REV A1	
3 PLC ± -		CUSTOMER DRAWING		
4 PLC ± -				
ANGLES ± -				
FINISH -				