

SPECIFICATIONS

RoHS Compliant

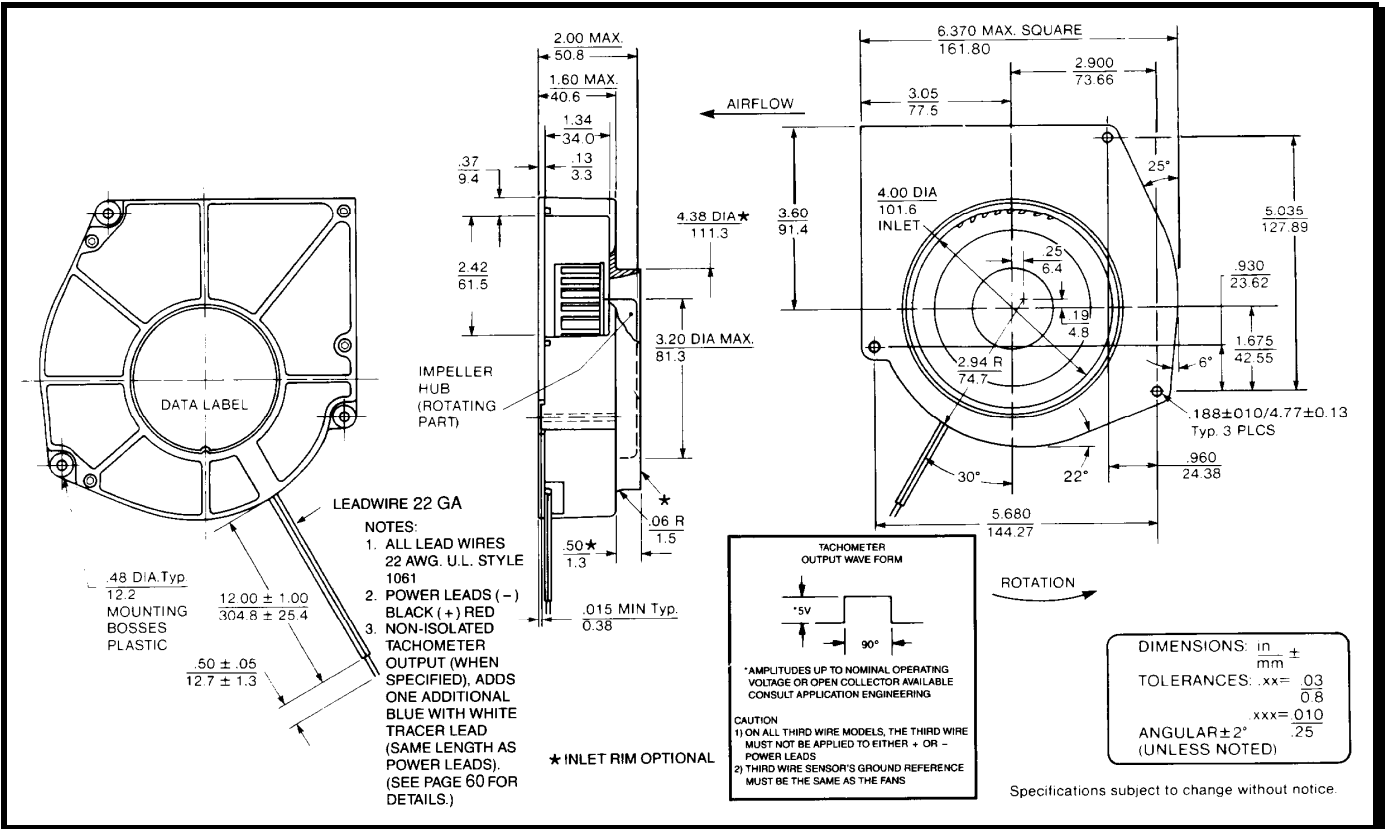
Model Number: SPD48B1

Part Number: 032196

April 19, 2001



Mechanical Drawing:



Specifications:	
Nominal Voltage	= 48 vdc
Operating Voltage Range	= 24-56 vdc
Nominal Running Current	= 0.530 amps
Locked Rotor Current	= 0.940 amps
Running Power	= 24 watts
Average Speed	= 2500 rpm
Bearings	= Ball
Air Flow	= 60 CFM
Acoustic	= 57 dBA
Construction:	
Backplate:	Die-Cast Zinc Alloy
Housing:	Polycarbonate, Black, UL94V-0
Propeller:	Polycarbonate, Black, UL94V-0
Life Expectancy:	
This fan is designed for continuous duty life of 62,000 hours at 50°C	

Features:	
Brushless DC Motor	
Polarity Protected	
Locked Rotor Protection	
Automatic Restart Capability	
Operating Temperature:	-10°C to +70°C
Storage Temperature:	-40°C to +85°C
Termination:	
12" Lead-wires, AWG 22, UL 1061	
	Red = Power (+)
	Black = Return (-)
Agency Approvals:	
UL	