

Trimmer Potentiometers



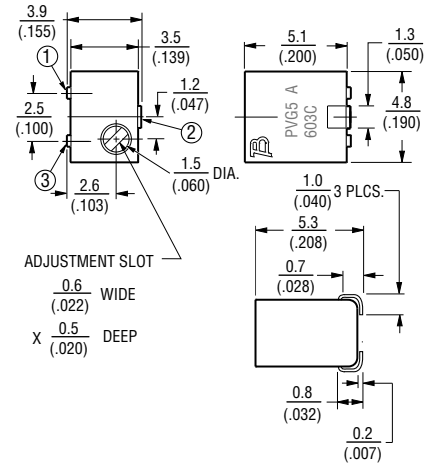
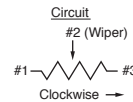
SMD Sealed Type Multiturn PVG5 Series

Features

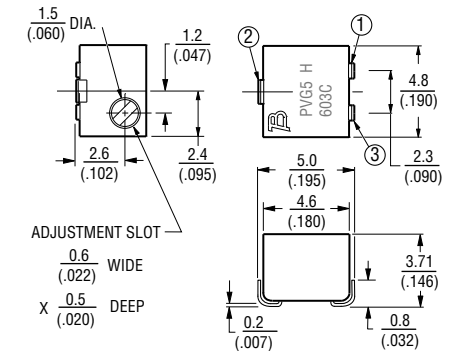
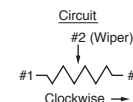
1. Surface Mount 5 mm Square / Multiturn / Cermet / Sealed
2. Available in both top and side adjustment
3. 5 mm design meets EIA/EIAJ/IPC/VECI SMD standard trimmer footprint
4. RoHS compliant*
5. For trimmer applications/processing guidelines, [click here](#)



PVG5A



PVG5H



DIMENSIONS: $\frac{\text{MM}}{\text{(INCHES)}}$

TOLERANCES: $\pm \frac{0.25}{(.010)}$
EXCEPT WHERE NOTED

Top Adjustment

Part Number	Power Rating (W)	Number of Turns (Effective Rotation Angle)	Total Resistance Value	TCR (ppm/°C)
PVG5A100C03R00	0.25 (70 °C)	11	10 ohm ±10%	±150
PVG5A200C03R00	0.25 (70 °C)	11	20 ohm ±10%	±150
PVG5A500C03R00	0.25 (70 °C)	11	50 ohm ±10%	±150
PVG5A101C03R00	0.25 (70 °C)	11	100 ohm ±10%	±150
PVG5A201C03R00	0.25 (70 °C)	11	200 ohm ±10%	±150
PVG5A501C03R00	0.25 (70 °C)	11	500 ohm ±10%	±150
PVG5A102C03R00	0.25 (70 °C)	11	1k ohm ±10%	±150
PVG5A202C03R00	0.25 (70 °C)	11	2k ohm ±10%	±150
PVG5A502C03R00	0.25 (70 °C)	11	5k ohm ±10%	±150
PVG5A103C03R00	0.25 (70 °C)	11	10k ohm ±10%	±150
PVG5A203C03R00	0.25 (70 °C)	11	20k ohm ±10%	±150
PVG5A503C03R00	0.25 (70 °C)	11	50k ohm ±10%	±150
PVG5A104C03R00	0.25 (70 °C)	11	100k ohm ±10%	±150
PVG5A204C03R00	0.25 (70 °C)	11	200k ohm ±10%	±150
PVG5A504C03R00	0.25 (70 °C)	11	500k ohm ±10%	±150
PVG5A105C03R00	0.25 (70 °C)	11	1M ohm ±10%	±150
PVG5A205C03R00	0.25 (70 °C)	11	2M ohm ±10%	±150

Operating Temperature Range: -55 to +125 °C

Soldering Method: Forced Hot Air, Convection, IR, Vapor Phase (In-Line)



*RoHS Directive 2002/95/EC Jan. 27, 2003 including annex and RoHS Recast 2011/65/EU June 8, 2011. Specifications are subject to change without notice.

The device characteristics and parameters in this data sheet can and do vary in different applications and actual device performance may vary over time. Users should verify actual device performance in their specific applications.

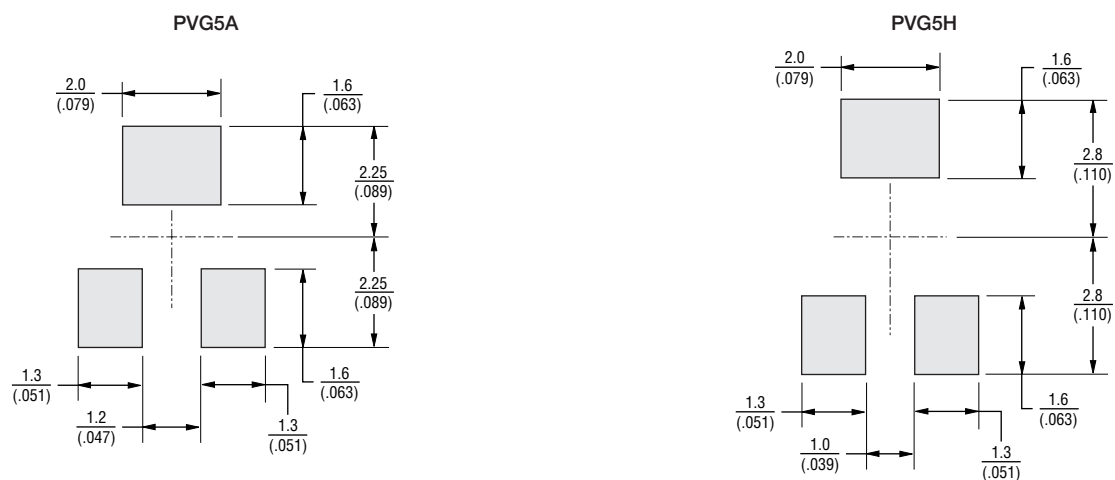
Side Adjustment

Part Number	Power Rating (W)	Number of Turns (Effective Rotation Angle)	Total Resistance Value	TCR (ppm/°C)
PVG5H100C03B00	0.25 (70 °C)	11	10 ohm ±10%	±150
PVG5H200C03B00	0.25 (70 °C)	11	20 ohm ±10%	±150
PVG5H500C03B00	0.25 (70 °C)	11	50 ohm ±10%	±150
PVG5H101C03B00	0.25 (70 °C)	11	100 ohm ±10%	±150
PVG5H201C03B00	0.25 (70 °C)	11	200 ohm ±10%	±150
PVG5H501C03B00	0.25 (70 °C)	11	500 ohm ±10%	±150
PVG5H102C03B00	0.25 (70 °C)	11	1k ohm ±10%	±150
PVG5H202C03B00	0.25 (70 °C)	11	2k ohm ±10%	±150
PVG5H502C03B00	0.25 (70 °C)	11	5k ohm ±10%	±150
PVG5H103C03B00	0.25 (70 °C)	11	10k ohm ±10%	±150
PVG5H203C03B00	0.25 (70 °C)	11	20k ohm ±10%	±150
PVG5H503C03B00	0.25 (70 °C)	11	50k ohm ±10%	±150
PVG5H104C03B00	0.25 (70 °C)	11	100k ohm ±10%	±150
PVG5H204C03B00	0.25 (70 °C)	11	200k ohm ±10%	±150
PVG5H504C03B00	0.25 (70 °C)	11	500k ohm ±10%	±150
PVG5H105C03B00	0.25 (70 °C)	11	1M ohm ±10%	±150
PVG5H205C03B00	0.25 (70 °C)	11	2M ohm ±10%	±150

Operating Temperature Range: -55 to +125 °C

Soldering Method: Forced Hot Air, Convection, IR, Vapor Phase (In-Line)

Standard Land Pattern



DIMENSIONS: $\frac{\text{MM}}{\text{(INCHES)}}$

TOLERANCES: $\pm \frac{0.1}{(.004)}$
EXCEPT WHERE NOTED

BOURNS®

Specifications are subject to change without notice.

The device characteristics and parameters in this data sheet can and do vary in different applications and actual device performance may vary over time. Users should verify actual device performance in their specific applications.

■ Characteristics

Temperature Cycle	ΔTR : $\pm 2\%$ $\Delta V.S.S.$: $\pm 1\%$
Humidity	ΔTR : $\pm 2\%$ IR : 10M ohm min.
Vibration (20G)	ΔTR : $\pm 1\%$ $\Delta V.S.S.$: $\pm 1\%$
Shock (100G)	ΔTR : $\pm 1\%$ $\Delta V.S.S.$: $\pm 1\%$
Temperature Load Life	ΔTR : $\pm 3\%$ or 3 ohm max., whichever is greater $\Delta V.S.S.$: $\pm 1\%$
Low Temperature Exposure	ΔTR : $\pm 1\%$ $\Delta V.S.S.$: $\pm 1\%$
High Temperature Exposure	ΔTR : $\pm 2\%$ $\Delta V.S.S.$: $\pm 1\%$
Rotational Life	ΔTR : $\pm 3\%$ or 3 ohm max., whichever is greater (100 cycles)

ΔTR : Total Resistance Change
 $\Delta V.S.S.$: Voltage Setting Stability
IR : Insulation Resistance

■ Typical Part Marking

3-Digit Date Code and Manufacturing Code

- First digit indicates year of manufacture;
- Last two digits indicate week of manufacture;
- 4th digit is suffix for manufacturing location:
C = Costa Rica

Example:

604C = Manufactured in 2016, week 4, Costa Rica

Resistance Code

- Resistance code marking as shown in the *Part Numbering Resistance Table*.

■ Part Numbering

Product ID _____ **PV G5 A 103 C03 B00**
 PV = Trimming Potentiometer
 Series _____
 G5 = SMD Sealed 5 mm Square, 11-Turns
 Adjustment Direction/Lead Type _____
 A = Top
 H = Side

Total Resistance _____
 Expressed by three figures.
 The first and second figures are significant digits; the third figure expresses the number of zeros that follow.

Resistance (Ohms)	Resistance Code
10	100
20	200
50	500
100	101
200	201
500	501
1,000	102
2,000	202
5,000	502
10,000	103
20,000	203
50,000	503
100,000	104
200,000	204
500,000	504
1,000,000	105
2,000,000	205

Popular distribution values listed in boldface.
 Special resistances available.

Individual Specification _____
 C03 = Standard Type

Packaging _____
 B00 = Tube (50 pcs. per tube)
 R00 = 7 " Reel (250 pcs. per reel) - Style A
 7 " Reel (500 pcs. per reel) - Style H

BOURNS®