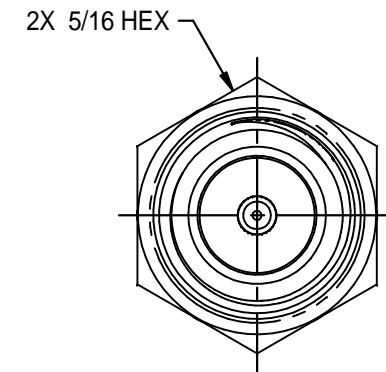
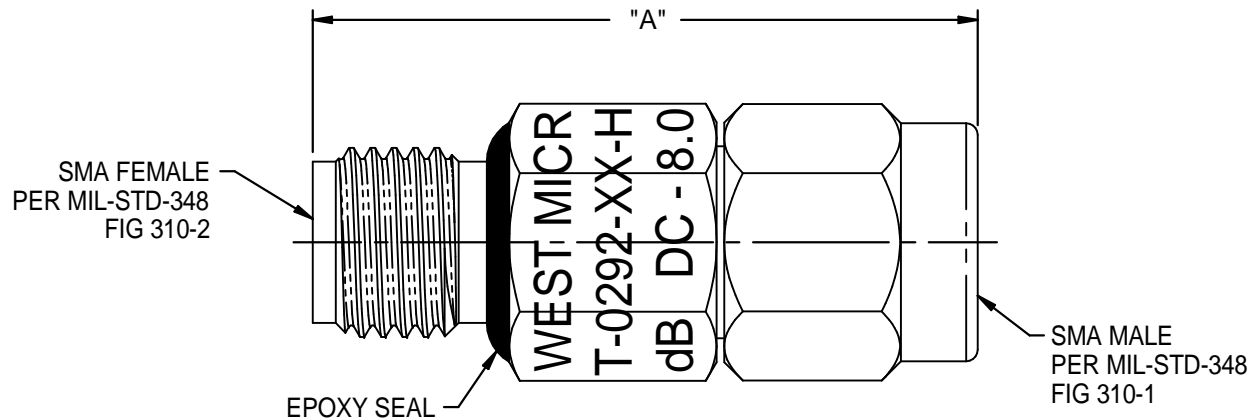
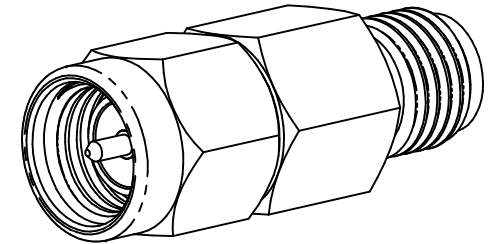


ATTENUATION VALUE	"A"
0 - 12.5 dB	.86
13 - 30 dB	1.02



NOTES: UNLESS OTHERWISE SPECIFIED.

1. SPECIFICATIONS:

1.1 FREQUENCY RANGE: DC - 8.0 GHz

1.2 ATTENUATION ACCURACY:

0 dB: +0.3/-0 dB

0.5 - 6 dB: ±0.3 dB

6.5 - 20 dB: ±0.5 dB

20.5 - 30 dB: ±1.0 dB

1.3 MAXIMUM VSWR: 1.07 +.015f (GHz)

1.4 MAXIMUM INPUT POWER:

AVERAGE: 2 WATTS AT +25°C, DERATED LINEARLY TO 0.5 WATTS AT +125°C.

PEAK: 200 WATTS FOR A DUTY CYCLE OF 5×10^{-4} , MAX PULSE DURATION OF 5 MICROSECONDS.

1.5 OPERATING TEMP. RANGE: -65°C TO +125°C

1.6 FINISH: PASSIVATED STAINLESS STEEL.

		MIDWEST MICROWAVE	
	RoHS <input checked="" type="checkbox"/> 2002/95/EC	Title: ATTENUATOR 0 - 30 dB	
<small>This PROPRIETARY Document is property of Cinch Connectivity Solutions. It is confidential in nature, non-transferable, and issued with the clear understanding that it is not to be traded or copied without permission and is returnable upon demand.</small>	<small>UNLESS OTHERWISE SPECIFIED</small> UNITS: INCH .XX ±.02 .XXX ±.005 ANGLES ±2°	Model No. ATT-0292-XX-HEX-02	
<small>INTERPRET DRAWING IN ACCORDANCE WITH ASME Y14.5-2009.</small>	Size A	DO NOT SCALE DRAWING	Date: 10/1/2014 Sheet 1 of 1