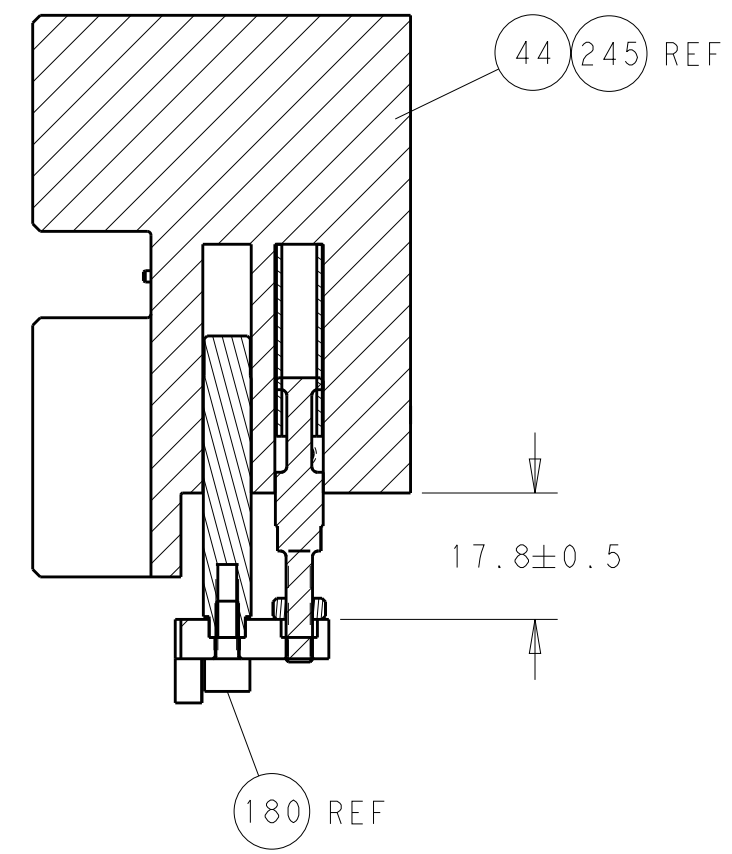


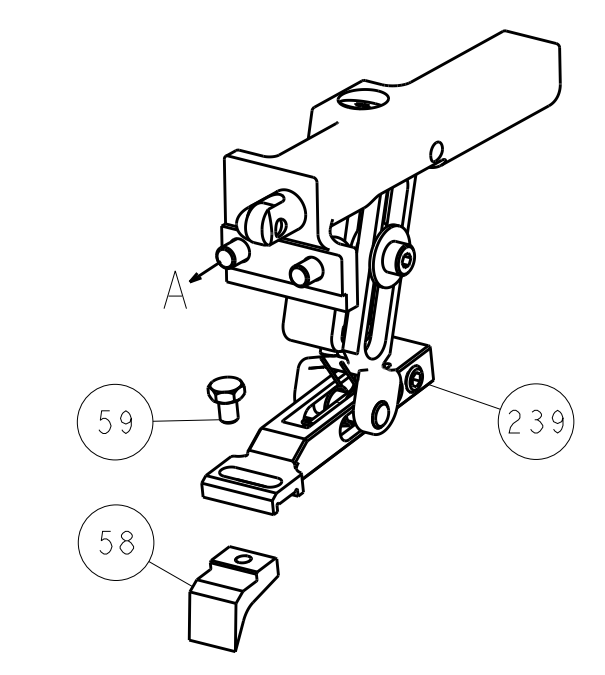


LOC		DIST		REVISIONS			
A	66	P	LTM	DESCRIPTION	DATE	OWN	APVD
		-	-	SEE SHEET 1	-	-	-

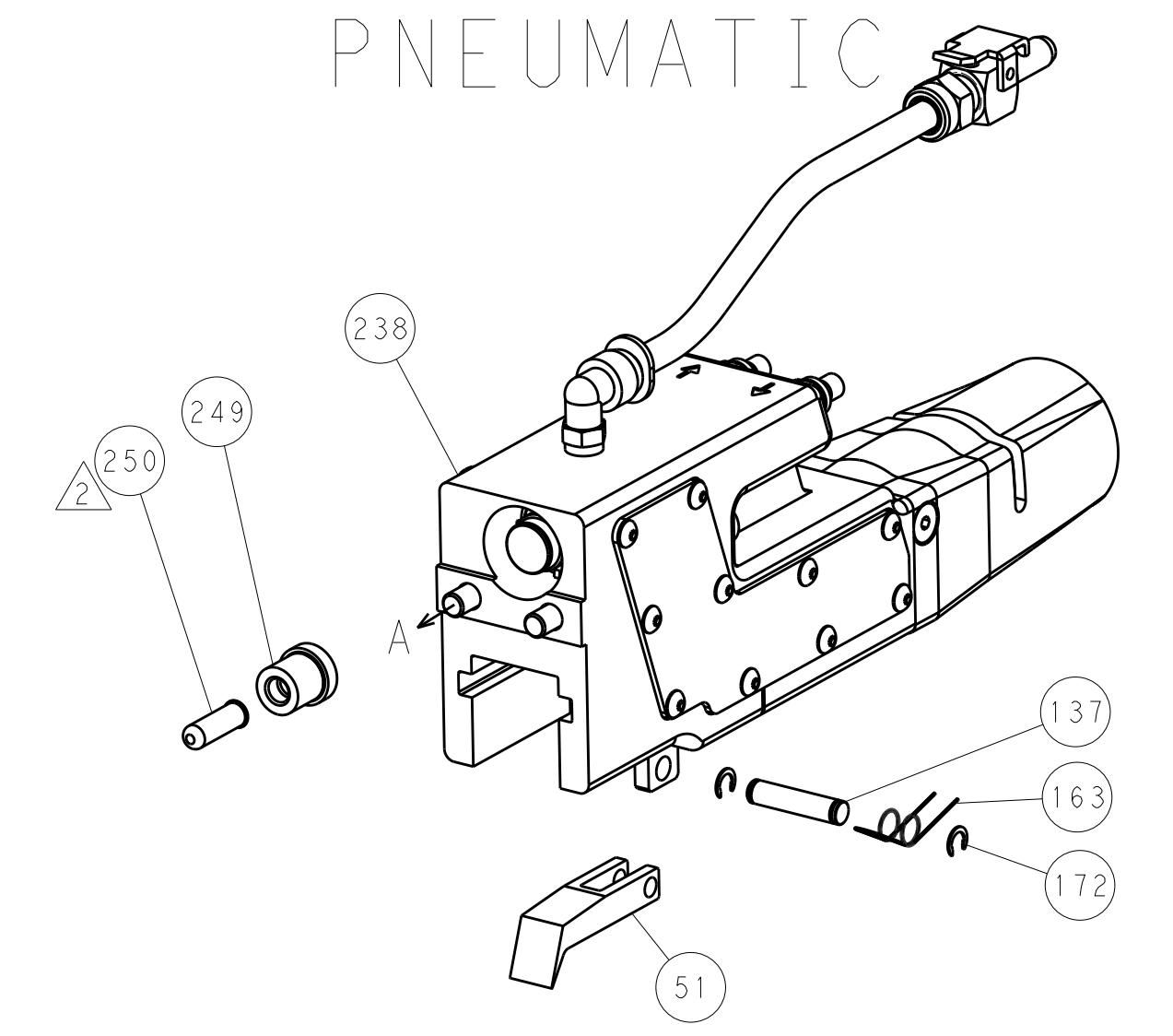


HOLDDOWN SET-UP

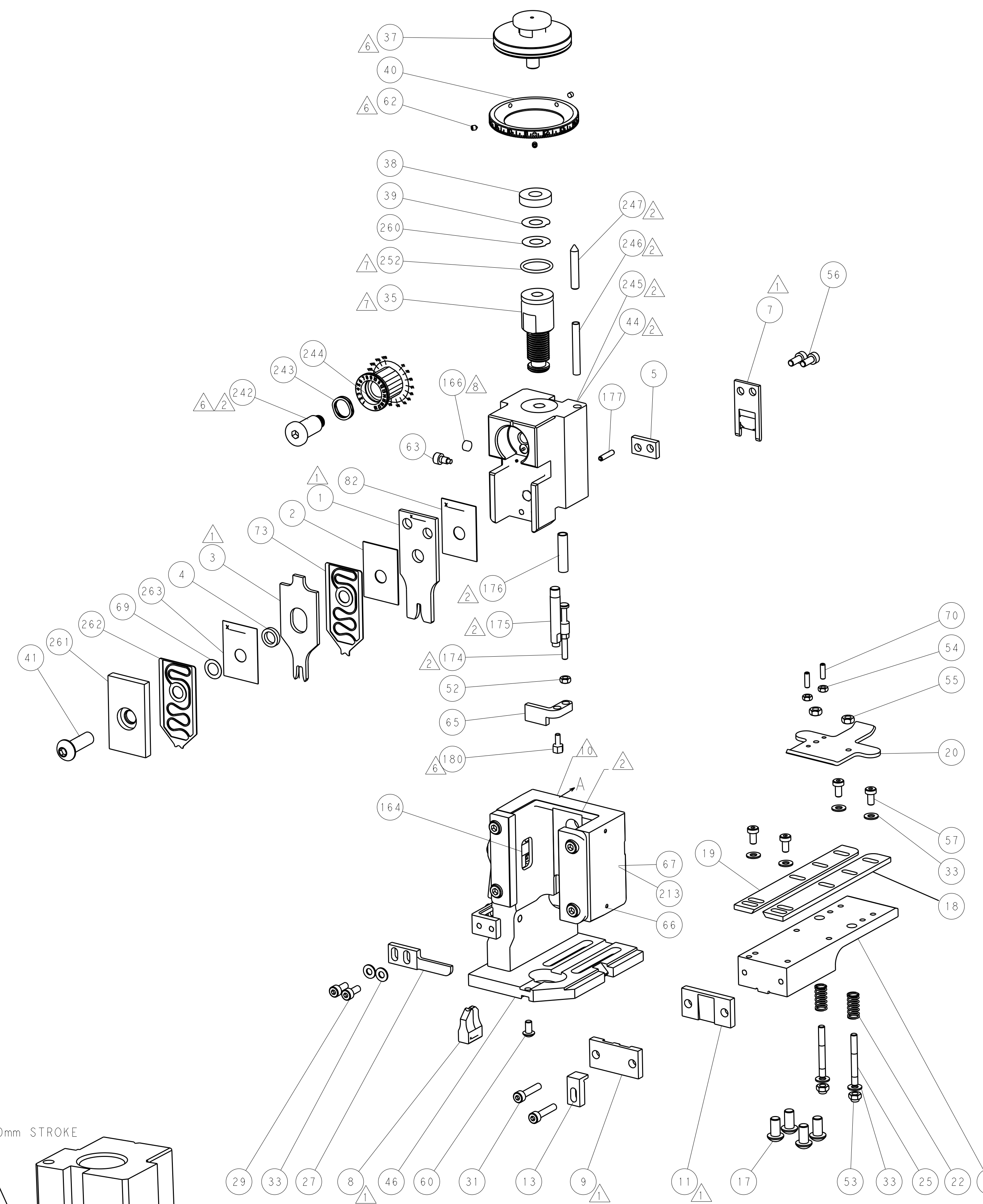
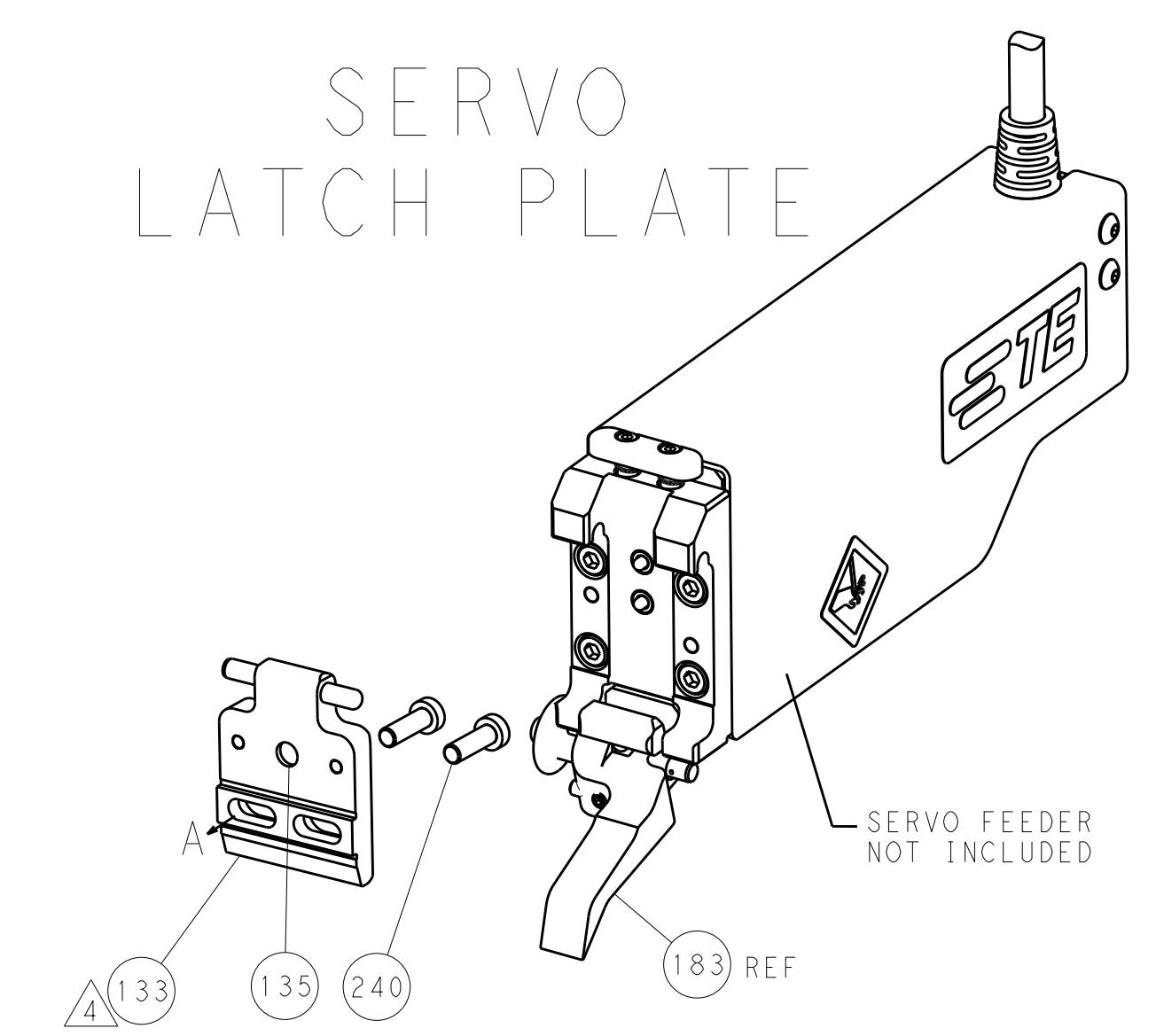
FEED TYPE  
MECHANICAL



PNEUMATIC



SERVO  
LATCH PLATE



CAM POSITIONS



ATLANTIC VERSION  
 Shown on sheets 1 of 4 & 2 of 4  
 (Pacific version shown on sheets 3 of 4 & 4 of 4)

DIMENSIONS:		TOLERANCES UNLESS OTHERWISE SPECIFIED:		OWN: K. STAKEM ZOMAR2014		TE Connectivity	
mm	0 PLC ±	1 PLC ±	2 PLC ±	3 PLC ±	4 PLC ±	5 PLC ±	Harrisburg, PA 17105-3608
	ANGLES ±	FINISH ±		APVD: T. ERLIN ZOMAR2014	NAME: Ocean End Feed Applicator		
MATERIAL:				PRODUCT SPEC:	SIZE: A11	CAGE CODE: 00779	DRAWING NO: ©=2150084
				APPLICATION SPEC:	RESTRICTED TO:		
				WEIGHT:	Customer Accessible Production Drawing	SCALE: 1:1	SHEET 2 OF 4 REV B





