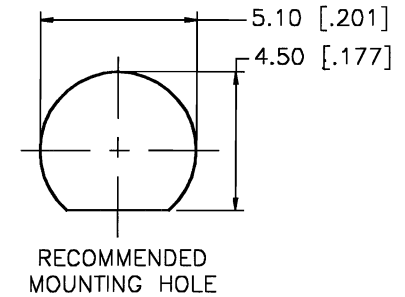
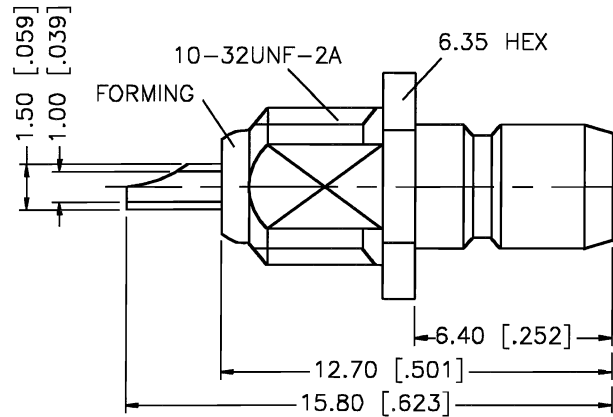
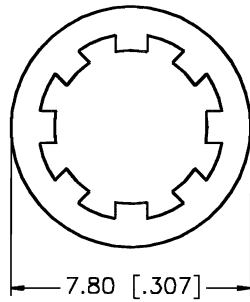
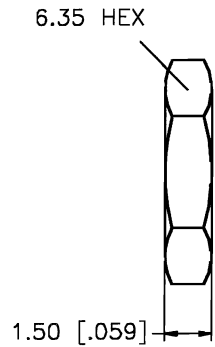



REV.	DATE	DESCRIPTION
NC	06/11/00	INITIAL RELEASE



DESCRIPTION	MATERIAL	FINISH	UNLESS OTHERWISE SPECIFIED DIMENSIONS ARE IN MILLIMETERS	APPROVALS	DATE				
1 BODY	BRASS	GOLD	DIMENSIONS IN [] ARE IN INCHES FOR CUSTOMER REFERENCE ONLY UNLESS OTHERWISE SPECIFIED TOLERANCES FOR MILLIMETERS ARE: 0.5-6 = ± 0.2 6-30 = ± 0.4 30-120 = ± 0.6 120-315 = ± 1 315-1000 = ± 1.6 1000-2000 = ± 2.4	DRAWN	G.R.S.				
2 INSULATOR	TEFLON	NATURAL		CHECKED			SIZE	FSCM NO.	DWG. NO.
3 CONTACT PIN	BRASS	GOLD		ISSUED		A	99001	142150-75.DWG	NC
4 LOCK WASHER	BRASS	GOLD				SCALE	PART NO.	SHEET	
5 HEX NUT	BRASS	GOLD				NA	142150-75	1 OF 1	
6									
7									
8			DO NOT SCALE DRAWING						