

S18 3 09 T A1 2 2 **

SERIES
S18= INTERNAL THREAD FORM A

POLES
2= 2 POLE & 3= 3 POLE

THREAD
09= PG9, 11= PG11, M6=M16x1.5, M0= M20x1.5, 12= 1/2" GAS 13= 1/2" NPTF

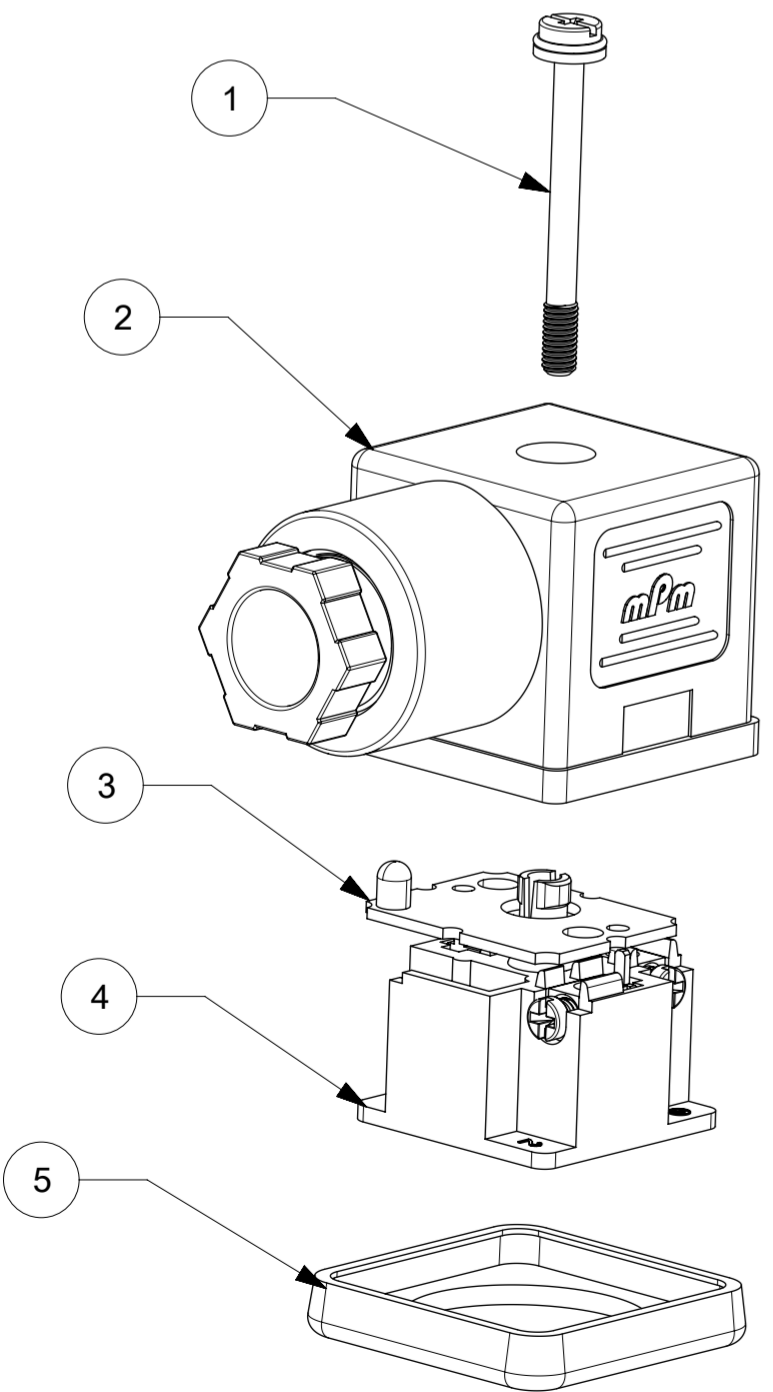
MATERIAL AND HOUSING COLOUR
G= PA6 GRAY, N= PA6 BLACK, W= PA6 BLACK V0, T= PA12 TRANSPARENT, B= PA6 WHITE

CIRCUIT
SEE DETAILS IN CATALOGUE

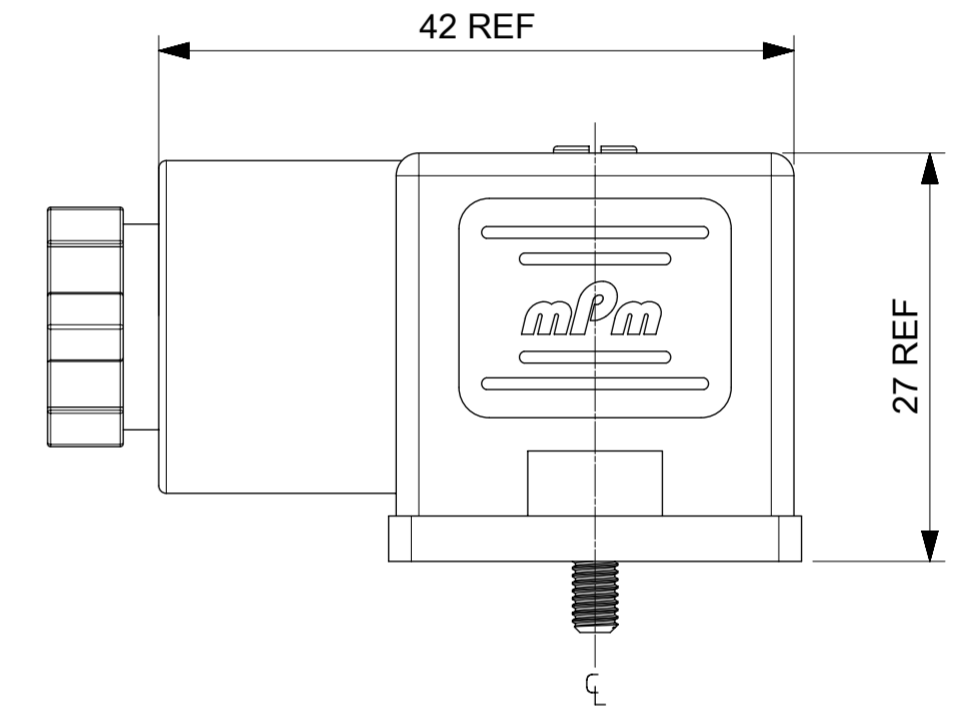
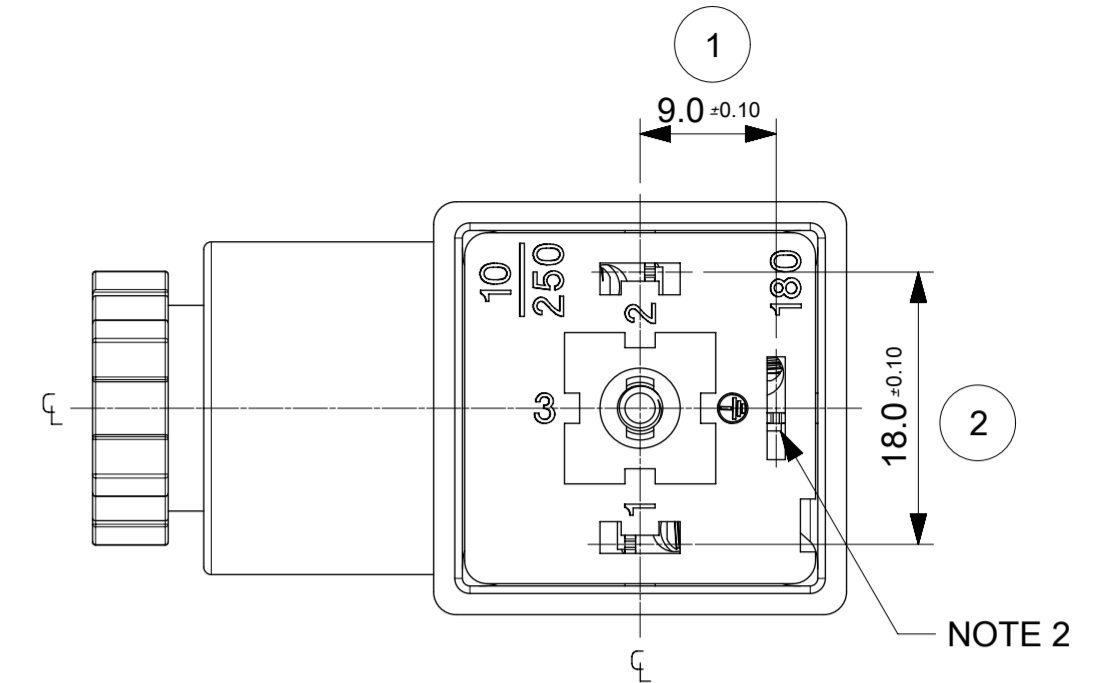
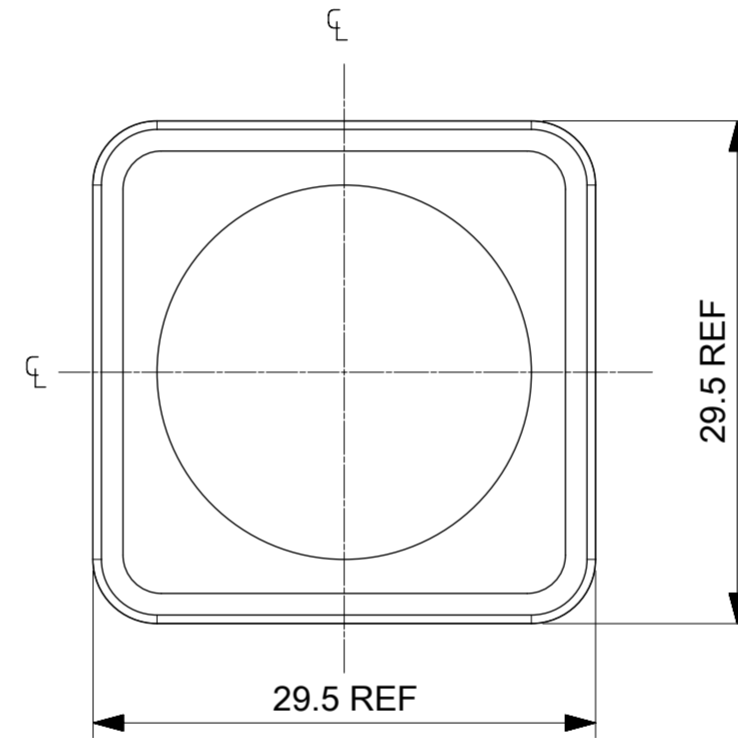
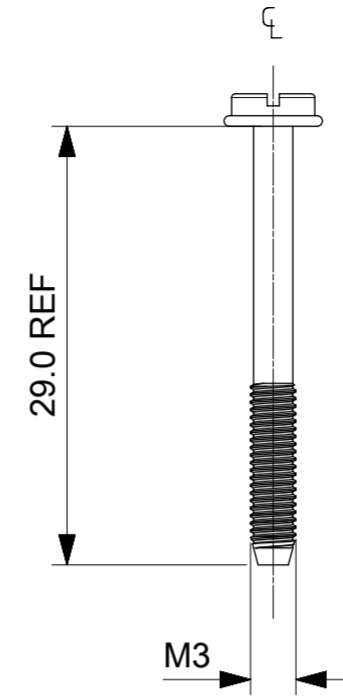
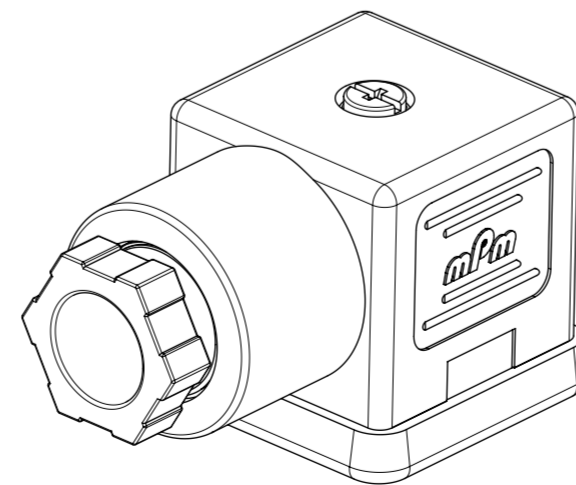
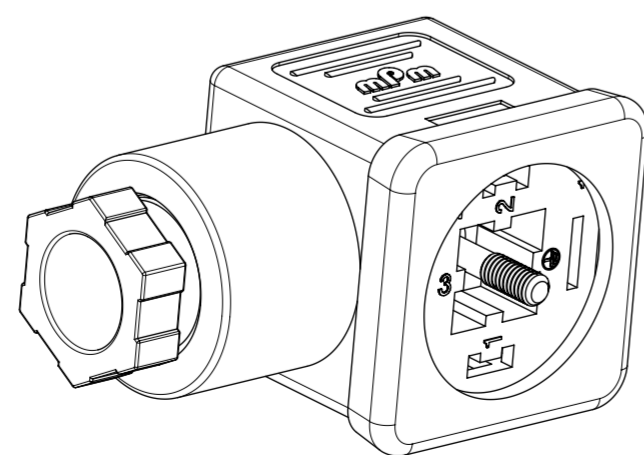
VOLTAGE
SEE DETAILS IN CATALOGUE

SCREW AND GASKET
1= NBR PROFILE GASKET & SCREW
2= NBR FLAT GASKET & SCREW
3= WHITE SILICON PROFILE GASKET & SCREW
4= WHITE SILICON FLAT GASKET & SCREW
A= NBR PROFILE GASKET & SCREW +2mm
B= NBR FLAT GASKET & SCREW +2mm
P= SCREW WITH GROMMET (IP67) & NBR INTEGRATED GASKET ASSEMBLED

NON STANDARD COMPONENTS
14= PACKED IN NEUTRAL BAG
23= FULLY MOUNTED
54= WITH PIN 3 AS EARTH
65= SPECIAL GROMMET
67= NEUTRAL PACKAGING
84= TAMPO PRINTING ON DIODE
3F= 24DC W/O TAMPO PRINTING
5J= BOXES OF 100
5N= PACKED IN BOXES OF 200
6U= GI BY500-800 DIODE
AF= CENTRE SCREW MOUNTED
AG= DIODE IN4948
P7= IP67 COMPLIANT
SA= UL LISTED PART
CZ= GROMMET 4 DISCRETE WIRES



ITEM	DESCRIPTION
1	SCREW
2	COVER ASSEMBLY
3	PCB
4	INSERT ASSEMBLY
5	GASKET



NOTES

- PLEASE SEE EXCEL SHEET 1210640002_PDP FOR CURRENTLY CONFIGURED PART NUMBERS.
FOR SPECIFIC PART NUMBERS PLEASE CONTACT SALES OR CONSULT THE INTELLIGENT PART NUMBER ON THE TOP LEFT OF THIS PAGE.
- EARTH POSITION SHOWN, H12.
- FOR PACKAGING SEE PACKAGING SPEC PK-121064-S18
- PRODUCT SPEC: SEE PS-121201-001

LAST INSPECTION NUMBER 2

2016/12/16		2016/12/22		GENERAL TOLERANCES (UNLESS SPECIFIED)		DIMENSION UNITS		SCALE		molex S18 SERIES INTERNAL THREAD		
AE		REV		4 PLACES ±		MM		1.5:1				
EC NO: 108491		CHKD: STGRIFFIN		3 PLACES ±		DRWN BY		DATE		PRODUCT CUSTOMER DRAWING		
DRWN: TCLEARY		APPR: STGRIFFIN		2 PLACES ± 0.1		BCAFFREY		2016/04/11				
DRWING SIZE		THIRD ANGLE PROJECTION		1 PLACE ± 0.2		CHK'D BY		DATE		SERIES MATERIAL NUMBER CUSTOMER		
A2		THIRD ANGLE PROJECTION		0 PLACES ±		TCLEARY		2016/12/16				
DRAFT WHERE APPLICABLE MUST REMAIN WITHIN DIMENSIONS		A2		DRAFT WHERE APPLICABLE MUST REMAIN WITHIN DIMENSIONS		APPR BY		DATE		DOCUMENT NUMBER DOC TYPE DOC PART SHEET NUMBER		
						STGRIFFIN		2016/04/12				
						DRAWING SIZE		THIRD ANGLE PROJECTION		121064 SEE 1210640002_PDP GENERAL MARKET		
						A2		THIRD ANGLE PROJECTION		SD-121064-002 PSD 000 1 OF 1		