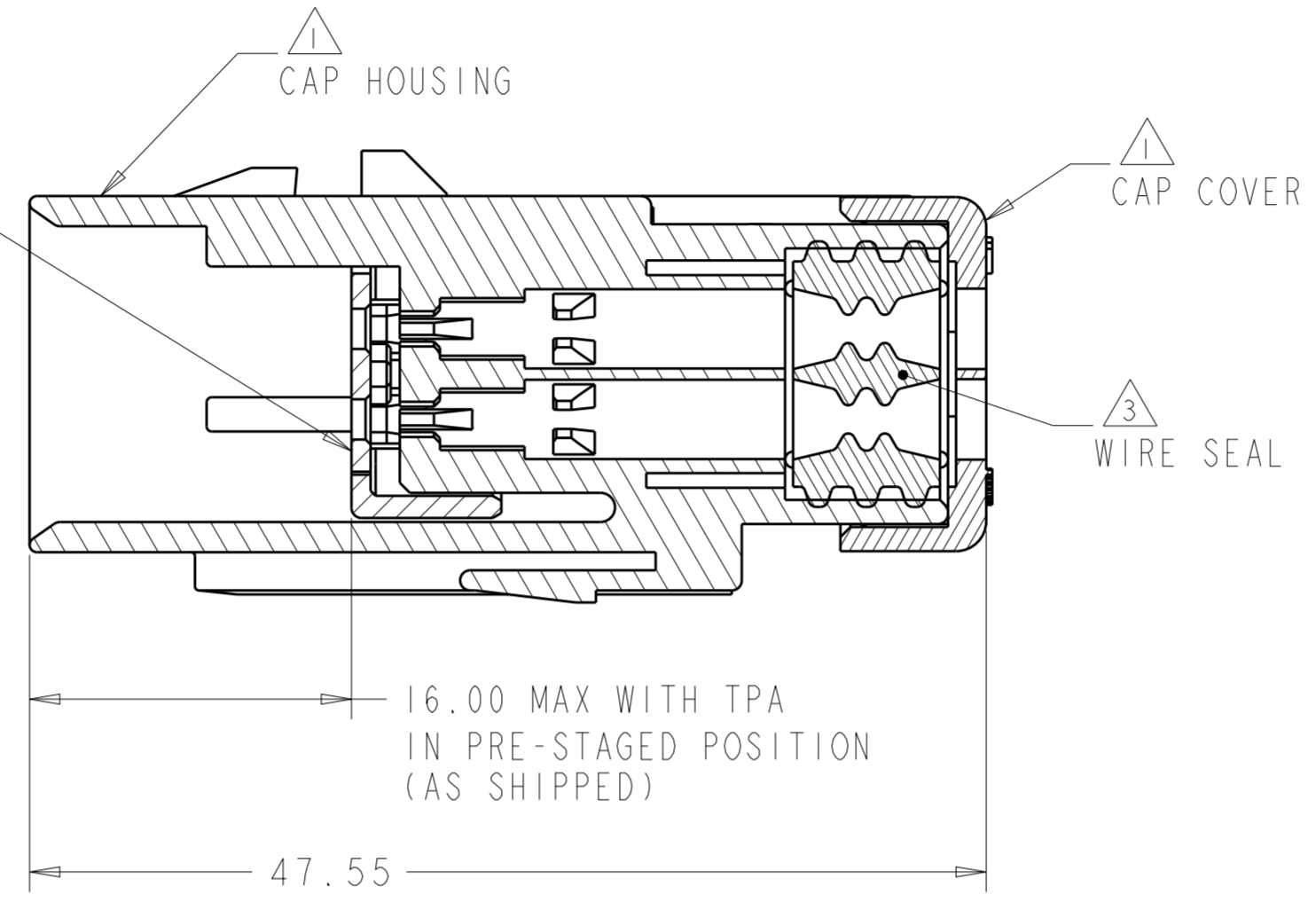
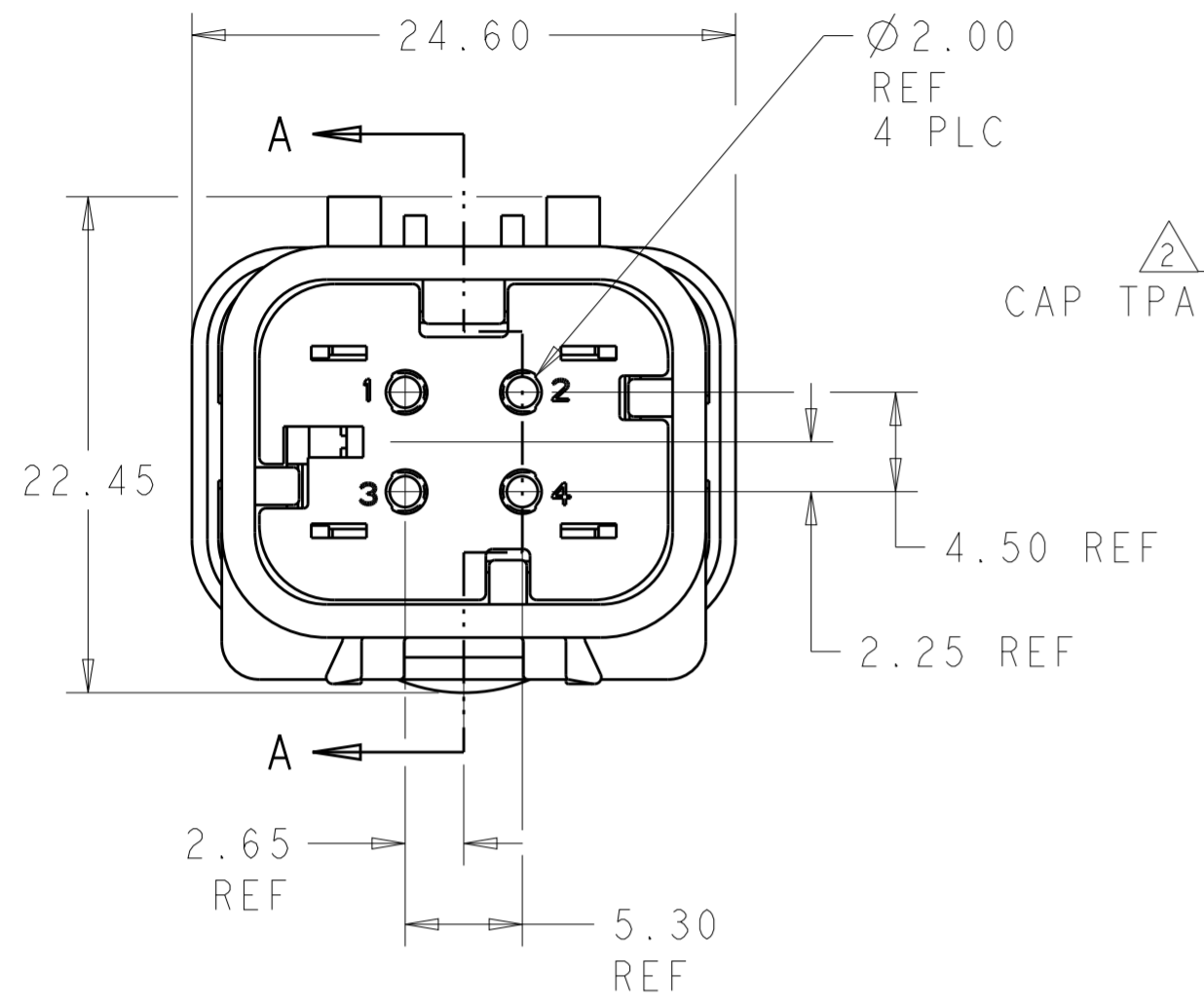


THIS DRAWING IS UNPUBLISHED
 RELEASED FOR PUBLICATION
 20
 COPYRIGHT 20 BY - ALL RIGHTS RESERVED.

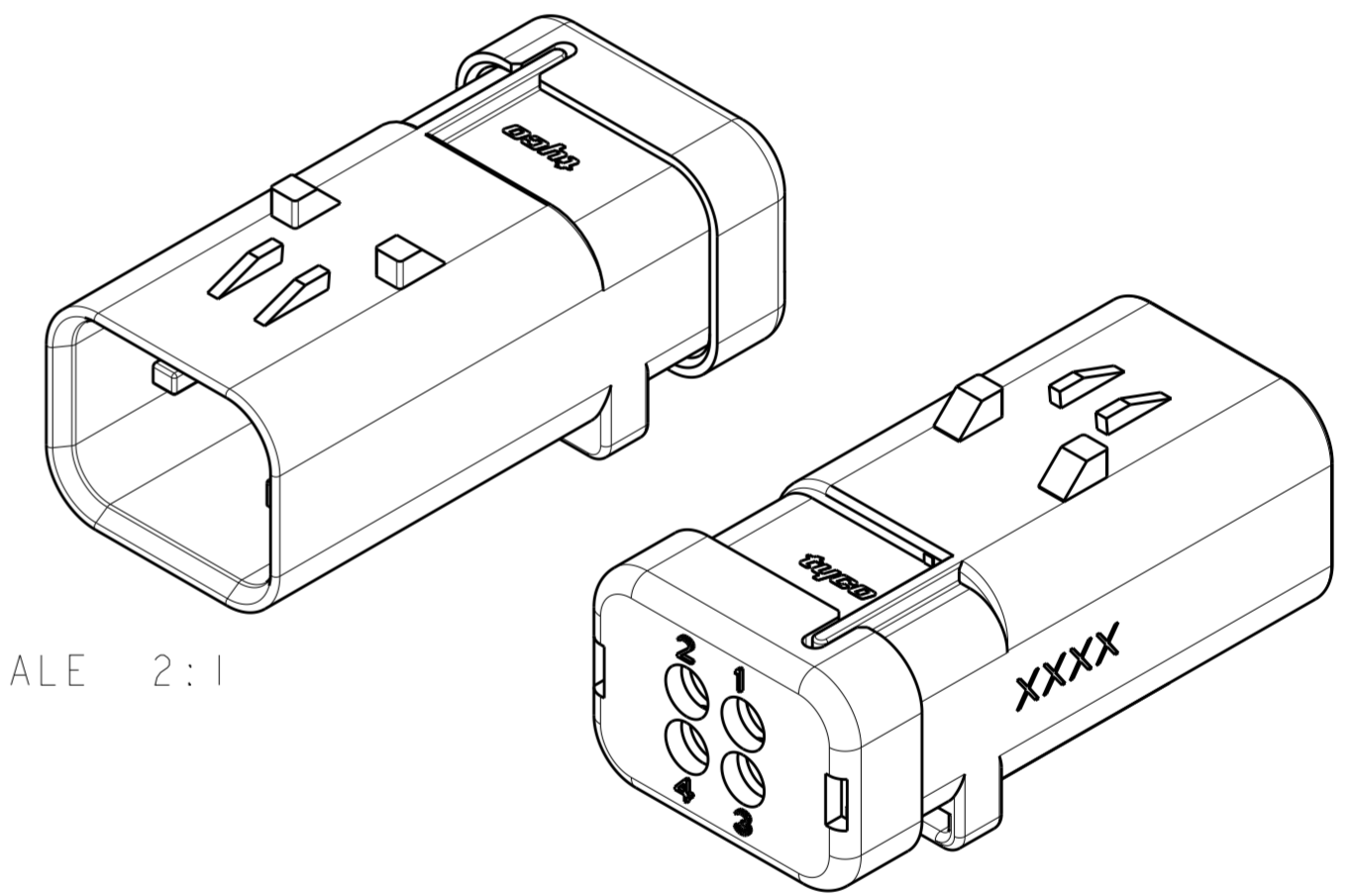
REVISIONS					
P	LTR	DESCRIPTION	DATE	DWN	APVD
A		RELEASED PER ECO-09-026562	30NOV2009	DD	RB
B		REVISED PER ECO-13-019865	27DEC2013	DR	RB



- ① HOUSING AND COVER MATERIAL: 25% GLASS FILLED THERMOPLASTIC; COLOR: NATURAL (BROWN)
- ② TPA MATERIAL: 20% GLASS FILLED THERMOPLASTIC, COLOR: (SEE TABLE)
- ③ WIRE SEAL MATERIAL: SILICONE COLOR: GREEN
- 4. RECOMMENDED WIRE DIAMETER RANGE IS 2.18 TO 3.67mm

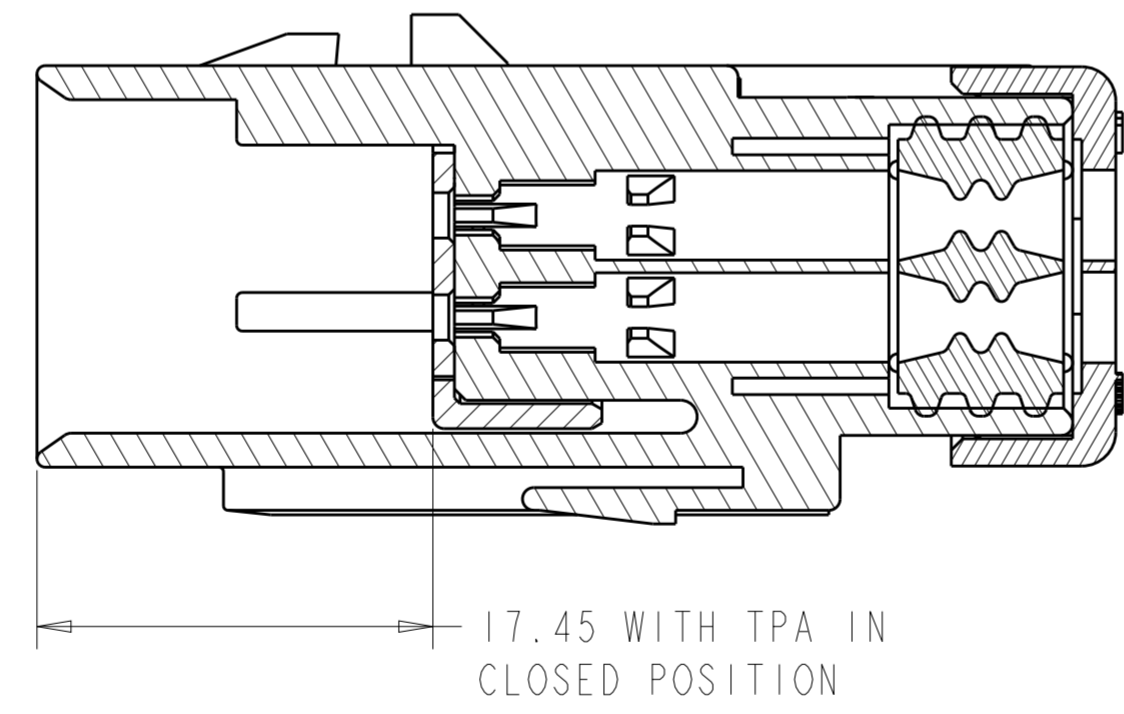
2035379-1 SHOWN
 ORANGE TPA
 KEY A

SECTION A-A
 OPEN POSITION

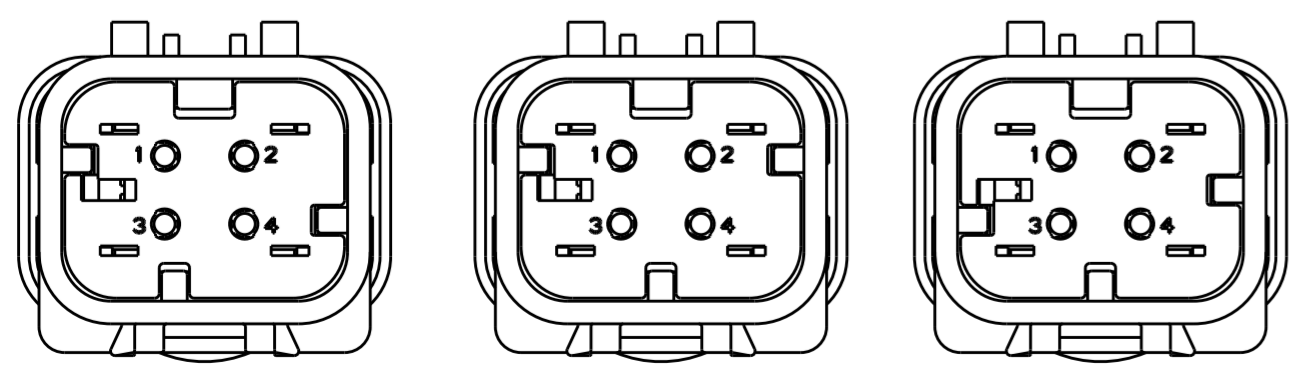


SCALE 2:1

SCALE 2:1



SECTION A-A
 CLOSED POSITION



2035379-2
 PURPLE TPA
 KEY B
 SCALE 2:1

2035379-3
 BLUE TPA
 KEY C
 SCALE 2:1

2035379-4
 TAN TPA
 KEY D
 SCALE 2:1

D	TAN	2035379-4
C	BLUE	2035379-3
B	PURPLE	2035379-2
A	ORANGE	2035379-1
KEY	TPA COLOR	PART NUMBER

THIS DRAWING IS A CONTROLLED DOCUMENT.		DWN 14 JUL 2009 RUSTY WORTHINGTON	TE Connectivity	
DIMENSIONS: mm		CHK 14 JUL 2009 ROGER BALTER		
TOLERANCES UNLESS OTHERWISE SPECIFIED:		APVD 14 JUL 2009 ROGER BALTER	NAME CAP ASSEMBLY, 4 POSITION, DUAL ROW, AMPSEAL 16 VO MATERIAL	
0 PLC ±		PRODUCT SPEC 108-2184	SIZE CAGE CODE DRAWING NO A200779 C-2035379	
1 PLC ±0.5		APPLICATION SPEC 114-13065	RESTRICTED TO	
2 PLC ±0.30		WEIGHT 14±1g	-	
3 PLC ±		CUSTOMER DRAWING	SCALE 3:1 SHEET 1 OF 1 REV B	
4 PLC ±				
ANGLES ±1°				
FINISH				