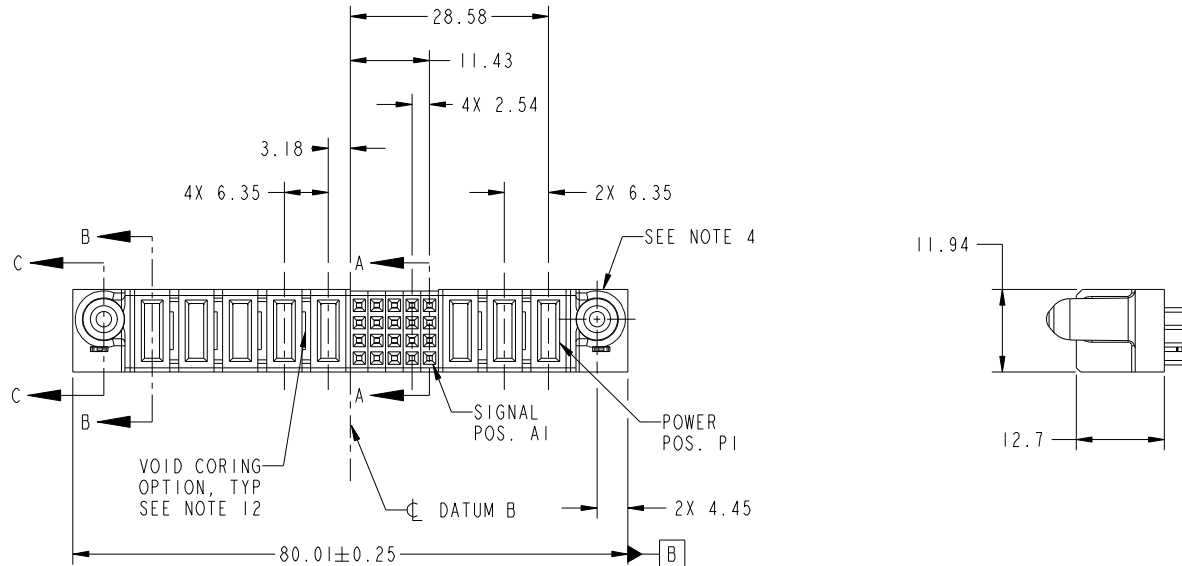


Tous droits strictement reserves. Reproduction ou communication a des tiers interdite sous quelque forme que ce soit sans autorisation écrite du propriétaire. Propriete de c FCI. Droits de reproduction FCI.



All rights strictly reserved. Reproduction or issue to third parties in any form whatever is not permitted without written authority from the proprietor. Property of FCI. Copyright FCI.

PRODUCT NO.	ROWS	Pwr					SIG					POWER					
		E2	P8	P7	P6	P5	P4	5	4	3	2	1	P3	P2	P1	E1	
51750-102-- NOTE: 3	D C B A		PA	PD	PD	PD	PA	E	E	E	E	E	E	E	E	E	



CODE	DIM "M" MATING LENGTH	CONTACT TYPE
E	[N/A]	SIGNAL
PD	[2.34]	POWER
PA	[1.07]	POWER
HA	[N/A]	HOLD-DOWN

mat'l code				SEE NOTES		tolerances unless otherwise specified		CUSTOMER		FCI	
ltr	ecn no.	dr	date	linear	0.X ± 0.5	projection		COPY		www.fciconnect.com	
A	DG10-0129	AL	04/06/10	angles	0.XX ± 0.25	MIM		title		3P + 20S + 5P VERTICAL SOLDER RECEPT	
				dr	0.XXX ± 0.1	scale		product family		PwrBlade code	
				enr	0° ± 2°	1:1		size		213	
				chr	ANSON LIU 04/06/10			dwg no		sheet	
				appd	JEROME CHEN 04/06/10			A		1 of 4	
					PM ZHENG 04/06/10			51750-102			
					JOSEPH HSIA 04/06/10						
sheet index	revision sheet	A	A	A	A						
		1	2	3	4						

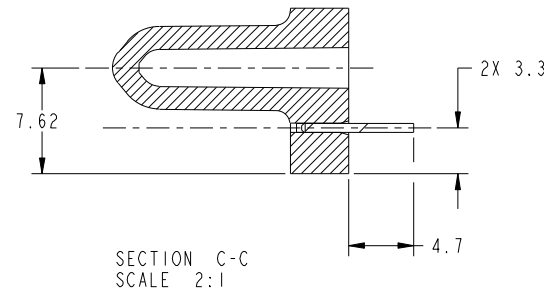
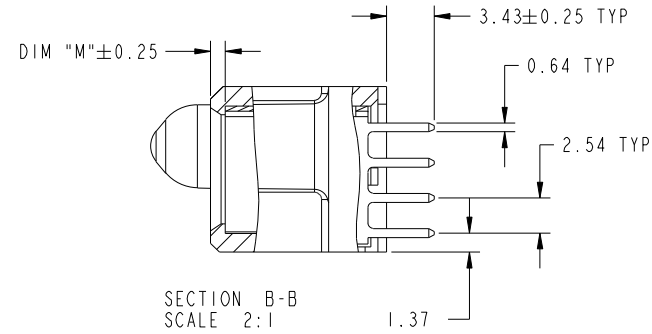
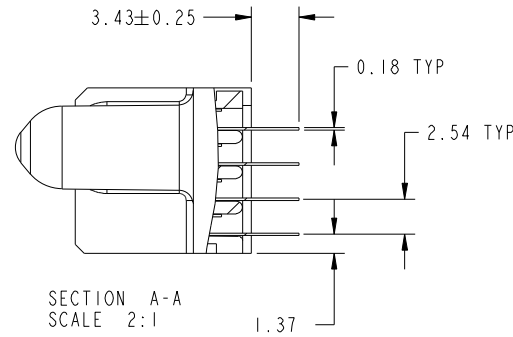
cage code 22526

Tous droits strictement reserves. Reproduction ou communication a des tiers interdite sous quelque forme que ce soit sans autorisation écrite du propriétaire. Propriete de c FCI. Droits de reproduction FCI.



All rights strictly reserved. Reproduction or issue to third parties in any form whatever is not permitted without written authority from the proprietor. Property of FCI. Copyright FCI.

PRODUCT NUMBER  
51750-102\_\_  
NOTE: 3



mat'l code				tolerances unless otherwise specified		CUSTOMER		FCI	
ltr	ecn no.	dr	date	linear	0.X ±0.5	COPY		www.fciconnect.com	
A				linear	0.XX ±0.25	projection		title	
				angles	0.XXX ±0.1			3P + 20S + 5P VERTICAL SOLDER RECEPT	
				dr	0° ±2°			product family PwrBlade code	
				enrg	ANSON LIU 04/06/10	scale		size	
				chr	JEROME CHEN 04/06/10	1:1		dwg no	
				appd	PM ZHENG 04/06/10			A 51750-102	
					JOSEPH HSIA 04/06/10			sheet	
sheet index		revision sheet						2 of 4	

cage code 22526

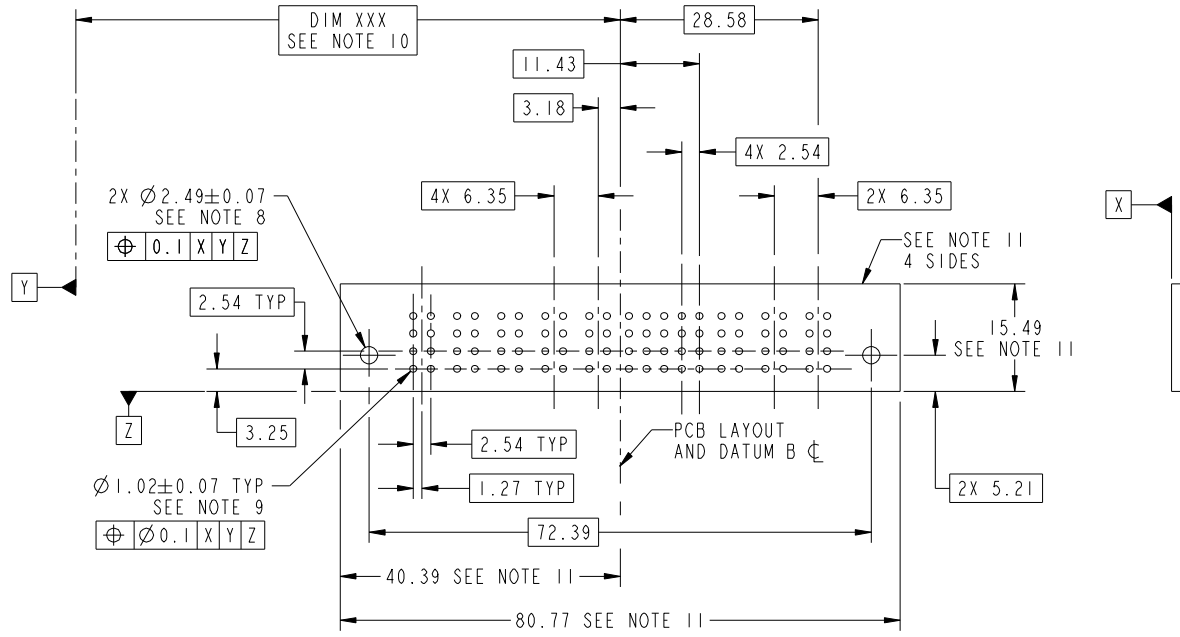
Pro/E

Tous droits strictement reserves. Reproduction ou communication a des tiers interdite sous quelque forme que ce soit sans autorisation écrite du propriétaire. Propriete de c FCI. Droits de reproduction FCI.



All rights strictly reserved. Reproduction or issue to third parties in any form whatever is not permitted without written authority from the proprietor. Property of FCI. Copyright FCI.

PRODUCT NUMBER  
51750-102\_\_  
NOTE: 3



mat'l code				tolerances unless otherwise specified		CUSTOMER		FCI	
ltr	ecn no.	dr	date	linear	0.X ± 0.5	COPY		www.fciconnect.com	
A					0.XX ± 0.25	projection		title	
				angles	0.XXX ± 0.1			3P + 20S + 5P VERTICAL SOLDER RECEPT	
				dr	ANSON LIU 04/06/10	MIM		product family PwrBlade code	
				enr	JEROME CHEN 04/06/10			size 213	
				chr	PM ZHENG 04/06/10	scale		dwg no 51750-102 sheet	
				appd	JOSEPH HSIA 04/06/10	1:1		3 of 4	
sheet index		revision sheet							

cage code 22526

Pro/E

Tous droits strictement reserves. Reproduction ou communication a des tiers interdite sous quelque forme que ce soit sans autorisation écrite du propriétaire. Propriete de c FCI. Droits de reproduction FCI.

All rights strictly reserved. Reproduction or issue to third parties in any form whatever is not permitted without written authority from the proprietor. Property of FCI. Copyright FCI.

PRODUCT NUMBER  
51750-102\_  
NOTE: 3

NOTES:

1. DIMENSIONS AND TOLERANCES ARE IN ACCORDANCE WITH ASME Y14.5M, 1994 UNLESS OTHERWISE SPECIFIED.

CONNECTOR NOTES:

- 2 HOUSING MATERIAL: UL 94 V-0 GLASS FILLED HIGH-TEMP THERMOPLASTIC  
POWER CONTACT MATERIAL: COPPER ALLOY  
SIGNAL PIN MATERIAL: COPPER ALLOY
  - 3. PLATING SPEC.  
SEE ITEM 5 & 6 IN PRINT 10064183 FOR PLATING SPEC. OF 51750-102, 51750-102LF RESPECTIVELY.
  - 4 MANUFACTURER'S NAME, DATE CODE AND OPTIONAL P/N TO APPEAR ON THIS SURFACE. THE P/N CAN BE OMITTED IF THERE IS NOT ENOUGH SPACE ON THIS SURFACE.
  - 5. PRODUCT SPECIFICATION GS-12-149.  
APPLICATION SPECIFICATION BUS-20-067.
  - 6. PACKAGED IN TRAYS.
- PCB NOTES:
- 7. ALL HOLE DIAMETERS ARE FINISHED HOLE SIZE.
  - 8 MOUNTING HOLES, WHERE APPLICABLE, ARE UNPLATED.
  - 9  $\varnothing 1.151 \pm 0.025$  DRILLED HOLES PLATED WITH 0.008 MIN SnPb OR Sn OVER 0.03 TO 0.08 Cu PLATING TO ACHIEVE  $\varnothing 1.02 \pm 0.07$  HOLE.
  - 10 "DIM XXX" TO BE DETERMINED BY THE CUSTOMER.
  - 11 CONNECTOR KEEP-OUT ZONE.
12. THE VOID CORING IN BETWEEN POWER MODULES, SIGNAL MODULES AND END MODULES ARE OPTIONAL AND THE SHAPE MAY BE DIFFERENT FOR OPTIMIZE THE MOLDING PROCESS. THE VOID CORING WILL NOT EFFECT TO PRODUCT FUNCTION.

mat'l code				tolerances unless otherwise specified		CUSTOMER		FCI		www.fciconnect.com	
ltr	ecr no.	dr	date	linear	0.X ± 0.5	COPY		title			
A					0.XX ± 0.25	projection		3P + 20S + 5P VERTICAL SOLDER RECEPT			
				angles	0.XXX ± 0.1			product family PwrBlade code			
				dr	0° ± 2°	MIM		size		213	
				enr	ANSON LIU 04/06/10			dwg no		sheet	
				chr	JEROME CHEN 04/06/10	scale		A 51750-102		4 of 4	
				appd	PM ZHENG 04/06/10	1:1					
					JOSEPH HSIA 04/06/10						
sheet index		revision sheet									

cage code 22526

Pro/E