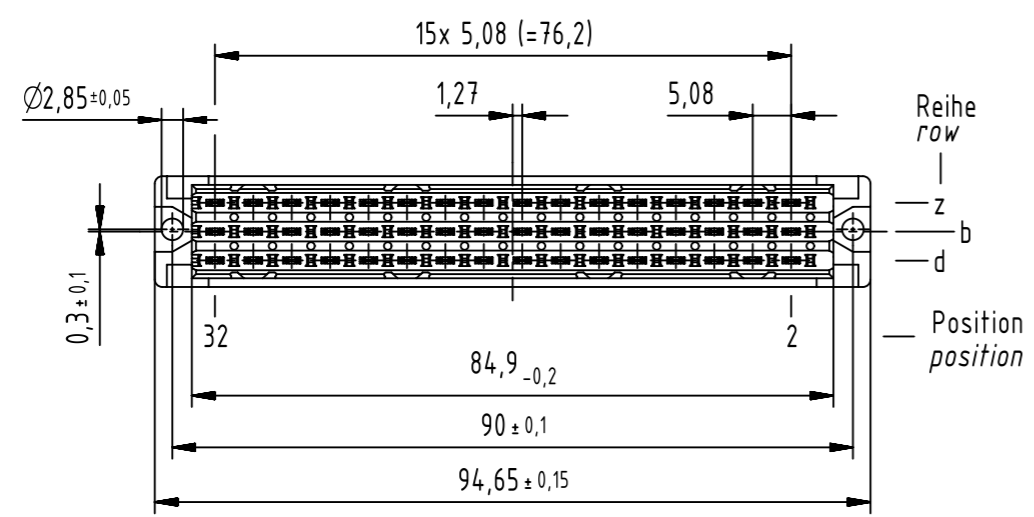
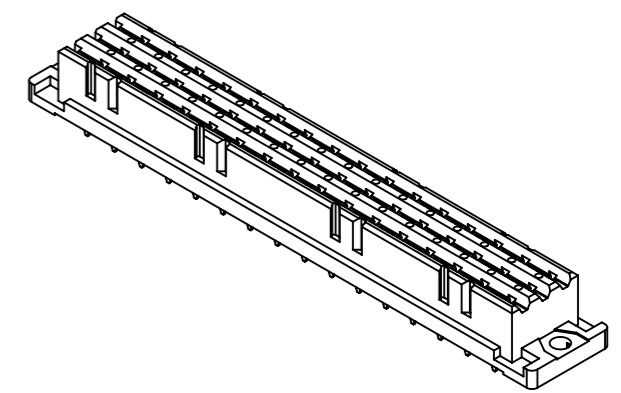
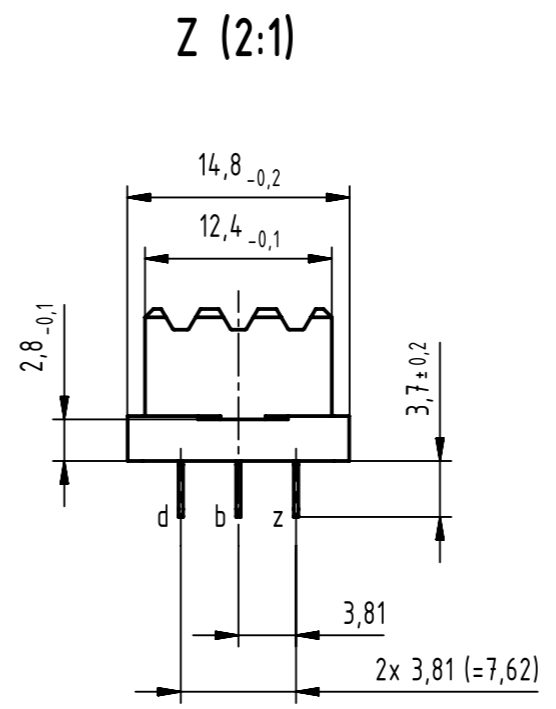
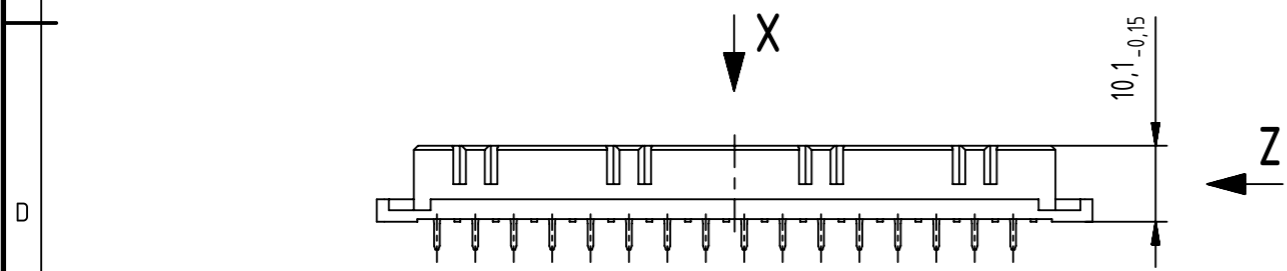


48 Einlötl Kontakte
48 solder contacts

☒ = Kontaktposition belegt
= position with contact

☐ = Kontaktposition nicht belegt
= position without contact



1 weitere Informationen siehe: DS 09062100006
further information see: DS 09062100006

09 06 248 6833	2
09 06 248 2833	1
Bestell-Nr. part-no.	Anforderungsstufe performance level 1

	All Dimensions in mm Original Size DIN A3	Scale 1:1	Free size tol. complementary IEC 60603-2	Ref. Sub. TB 0906248x833 Mod. 36054 15.06.10		
	All rights reserved Department EC PD - DE	Created by LEHNERT	Inspected by LUECKEMEIERM	Standardisation HOFFMANN	Date 2013-05-13	State Final Release
HARTING Electronics GmbH D-32339 Espelkamp		Title DIN Power type F low-prof. fem. solder			Doc-Key / ECM-Nr. 100205271/UGD/033/A 50000061876	
		Type TB	Number 0906248X833		Rev. A	Page 1/1