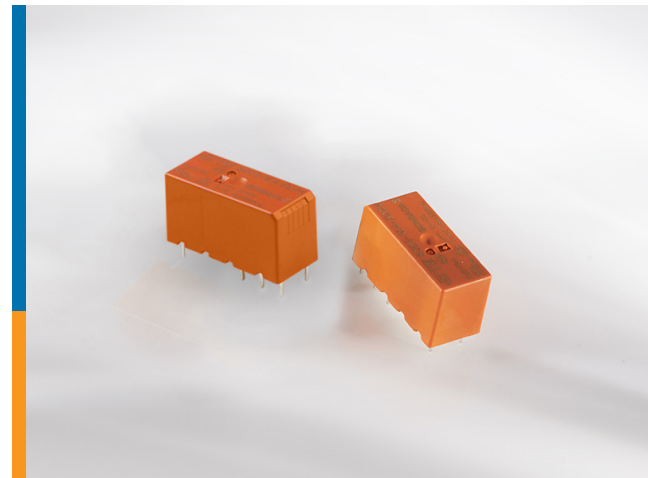


# SCHRACK POWER PCB RELAY RZ SERIES

TE Connectivity (TE)'s SCHRACK Power PCB Relay RZ Series is suitable for a broad range of applications within the industrial, building automation and equipment and in appliance industries. This relay features a unique weld breaker mechanism to overcome micro welding and help improve life time. The RZ series includes single-pole relays with normally open or changeover contacts as well as standard versions for 85°C ambient temperature and high temperature models for 105°C (RZH Series). The 16A class is a global standard platform and the RZ relay is approved at UL, VDE and CQC.



## Applications

- Heating elements
- Pump controls
- Boiler Control
- Heating systems controllers
- Air conditioning systems
- Lighting
- Timer
- Door control
- Time switches
- Interface modules
- Machinery controls
- Energy controls and distribution

## Electrical

- Rated Voltage 250VAC
- Rated Current up to 16A
- Rated coil power 400mW
- Reinforced insulation 5kV / 10mm coil-contact

## Mechanical

- 1 pole 12/16A
- 1 form C (CO) or 1 form A (NO) contact
- Ambient temperature 85°C, HOT version 105°C

## Specifications

- [See Datasheet RZ Series \(Standard version\)](#)
- [See Datasheet RZH Series \(High temperature version\)](#)

## Materials

- Contact material AgNi or AgSnO<sub>2</sub>

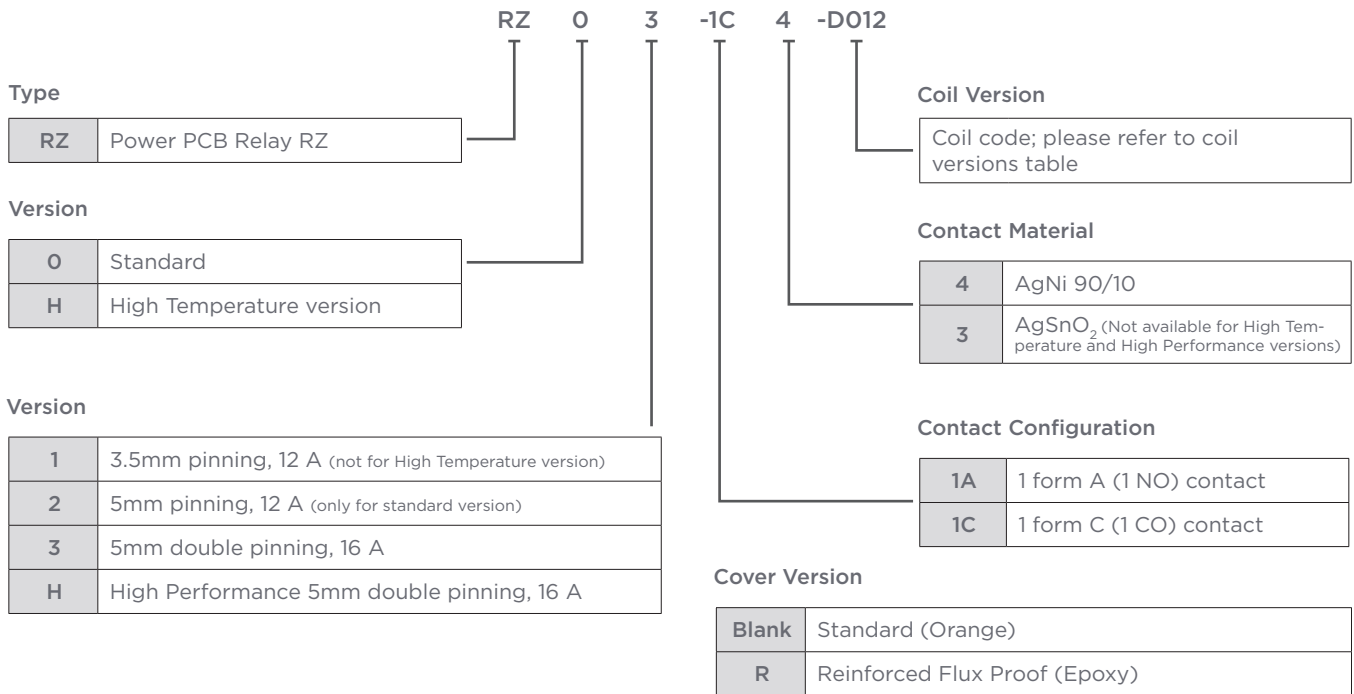
## Product Compliance / Approvals

- RoHS compliant, Cd free
- IEC 60335-1 compliant, new glow wire tests
- UL, VDE and CQC approved

## Key Benefits

- Global standard platform for 16 Amp applications
- Designed to overcome micro welding in the contact interface to improve life time
- Single-pole relays with normally open or changeover contacts
- Standard versions for 85°C ambient temperature and high temperature versions for 105°C

Product Key



Product Selection Information

Part Number	Description	Cover	High Temp Version
<a href="#">4-1415899-7</a>	RZ03-1A3-D005	Orange	N
<a href="#">4-1415899-9</a>	RZ03-1A3-D012	Orange	N
<a href="#">5-1415899-0</a>	RZ03-1A3-D024	Orange	N
<a href="#">2-2158000-9</a>	RZ03-1A3-D024-R	Orange	N
<a href="#">1-1415899-3</a>	RZ03-1A4-D005	Orange	N
<a href="#">1-1415899-6</a>	RZ03-1A4-D012	Orange	N
<a href="#">7-1415899-5</a>	RZ03-1A4-D012-R	Orange	N
<a href="#">1-1415899-7</a>	RZ03-1A4-D024	Orange	N
<a href="#">9-1415899-1</a>	RZ03-1A4-D024-R	Orange	N
<a href="#">5-1415899-2</a>	RZ03-1C3-D005	Orange	N
<a href="#">5-1415899-4</a>	RZ03-1C3-D012	Orange	N
<a href="#">5-1415899-5</a>	RZ03-1C3-D024	Orange	N
<a href="#">1-1415899-9</a>	RZ03-1C4-D005	Orange	N
<a href="#">7-1415899-6</a>	RZ03-1C4-D005-R	Orange	N
<a href="#">2-1415899-2</a>	RZ03-1C4-D012	Orange	N
<a href="#">7-1415899-7</a>	RZ03-1C4-D012-R	Orange	N
<a href="#">2-1415899-3</a>	RZ03-1C4-D024	Orange	N
<a href="#">7-1415899-9</a>	RZ03-1C4-D024-R	Orange	N
<a href="#">9-1415899-4</a>	RZ0H-1A4-D012	Orange	N

Part Number	Description	Cover	High Temp Version
<a href="#">9-1415899-0</a>	RZH3-1A3-D012	Orange	Y
<a href="#">2-1415899-8</a>	RZH3-1A4-D012	Orange	Y
<a href="#">2-1415899-5</a>	RZH3-1C4-D012	Orange	Y
<a href="#">2-1415899-6</a>	RZH3-1C4-D024	Orange	Y
<a href="#">6-1415899-4</a>	RZHH-1A4-D005	Orange	Y
<a href="#">6-1415899-7</a>	RZHH-1A4-D024	Orange	Y

te.com

© 2016 TE Connectivity Ltd. Family of Companies. All Rights Reserved. SCHRACK, TE, TE Connectivity, and the TE connectivity (logo) are trademarks of the TE Connectivity Ltd. family of companies. Other logos, product and Company names mentioned herein may be trademarks of their respective owners.  
1-1773891-3 FS 2/2017

USA: +1 (800) 522-6752  
Canada: +1 (905) 475-6222  
Mexico: +52 (0) 55-1106-0800  
Latin/S. America: +54 (0) 11-4733-2200  
Germany: +49 (0) 6251-133-1999

UK: +44 (0) 800-267666  
France: +33 (0) 1-3420-8686  
The Netherlands: +31 (0) 73-6246-999  
China: +86 (0) 400-820-6015