



**5W Low Cost Linear Eliminator
PSAA05 Adapters Meet EISA and Level V Requirements**



Features

- Double Insulated
- Efficiency Level V Compliance
- Small Package Size
- Low Leakage Current
- Low Cost
- Class B EMI

Applications

- MPEG Players
- PDAs
- Personal Electronics
- Digital Cameras

Safety Approvals

- CE
- cUL/UL
- C-Tick
- TUV
- SAA

Mechanical Characteristics⁽¹⁾

- Length: 66.5mm (2.62in)
- Width: 28.0mm (1.10in)
- Height: 39.0mm (1.54in)
- Weight: 85g (3oz)

Output Specifications

Model	DC Output Voltage	Load		Ripple ⁽²⁾ P-P (max.)	Regulation Line & Load	Efficiency Level
		Min.	Max.			
PSAA05X-050 ⁽³⁾	5.0V	0A	1A	100mV	±5%	

Notes:

- (1) Mechanical characteristics for PSAA05A-050 model
- (2) Measured with an oscilloscope with 20MHz (or over) bandwidth. Outputs should be bypassed at a connector with a 0.1uF ceramic capacitor and a 10uF electrolytic capacitor.
- (3) x = A for US version, E for EU version, K for UK version, S for Australian version
(Note) MOQ of 2200 pieces for EU and Australian models and 2100 pieces for UK model

Phihong is not responsible for any error, and reserves the right to make changes without notice. Please visit our website at www.phihong.com for the most up-to-date specifications and contact information.

Input:

AC Input Voltage Rating

100 to 240V AC

AC Input Voltage Range

90 to 264V AC

AC Input Frequency

47 to 63Hz

Input Current

0.3A (RMS) maximum at 90V AC

Leakage Current

20uA maximum at 240V AC, 50Hz

Inrush Current

45A maximum at 264V AC
(Cold start at ambient 25°C)

Input Power Saving

<0.3W maximum at no load

Output:

Efficiency

≥68% average efficiency

Environmental:

Temperature

Operation 0 to +50°C
Non-operation -25 to +75°C
Humidity 0 to 90%

Emissions

EN55022 Class B

Immunity

IEC61000-4-2
IEC61000-4-3
IEC61000-4-4
IEC61000-4-5
IEC61000-4-6
IEC61000-4-11
EN61000-3-2

Over-Voltage Protection

7.2V DC maximum

Over-Current Protection

2.2A maximum

Short-Circuit Protection

Output equipped with short circuit protection with auto restart

Output can be shorted permanently without damage

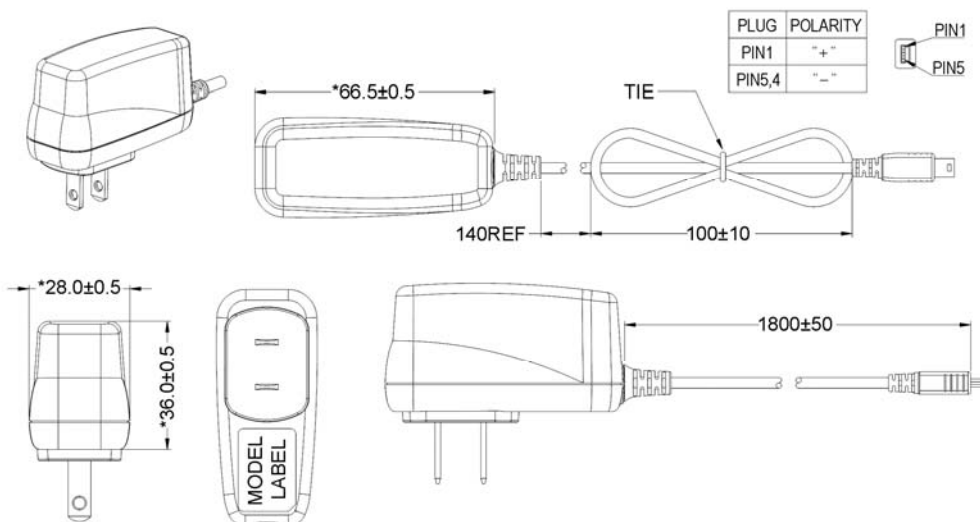
Dielectric Withstand (Hi-pot) Test

Primary to Secondary: 3000V AC for 1 min., 60mA

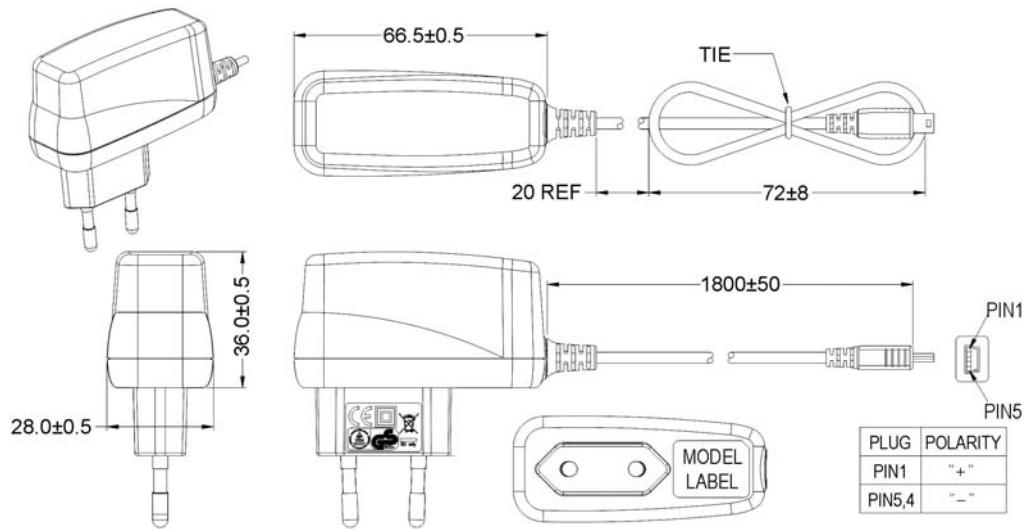
DC Output Connector

Mini-USB

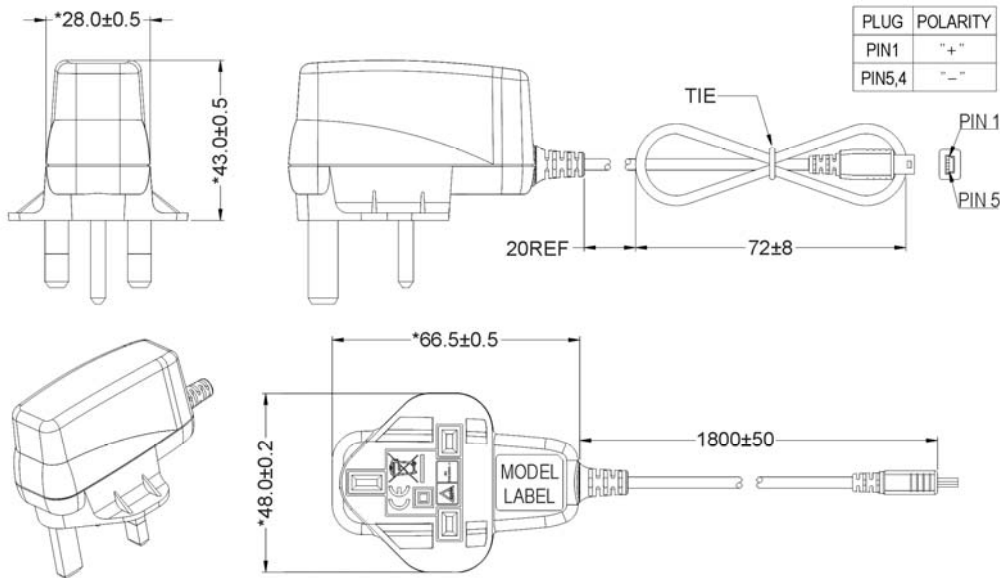
Dimension Diagram Unit: mm PSAA05A-050



Dimension Diagram Unit: mm PSAA05E-050



Dimension Diagram Unit: mm PSAA05K-050



Dimension Diagram Unit: mm PSAA05S-050

